

Receiver
From

 Society
 Reference
 Address
 Phone
 Fax
 E-mail

Item n° :
Model :

K 90/100 T

Pump data

 Pressure rating : 12 bar (1200 kPa)
 Min. fluid temperature : -15 °C
 Max. fluid temperature : 110 °C
 Max. Ambient temperature : 40 °C

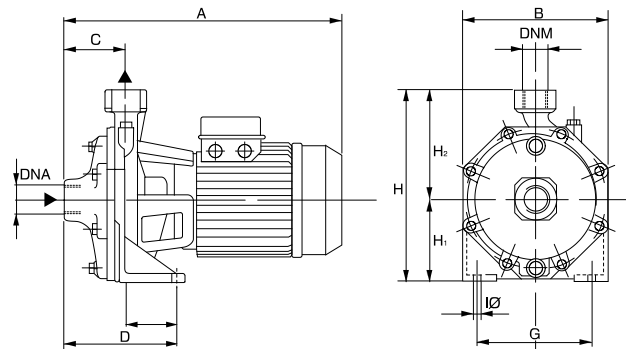
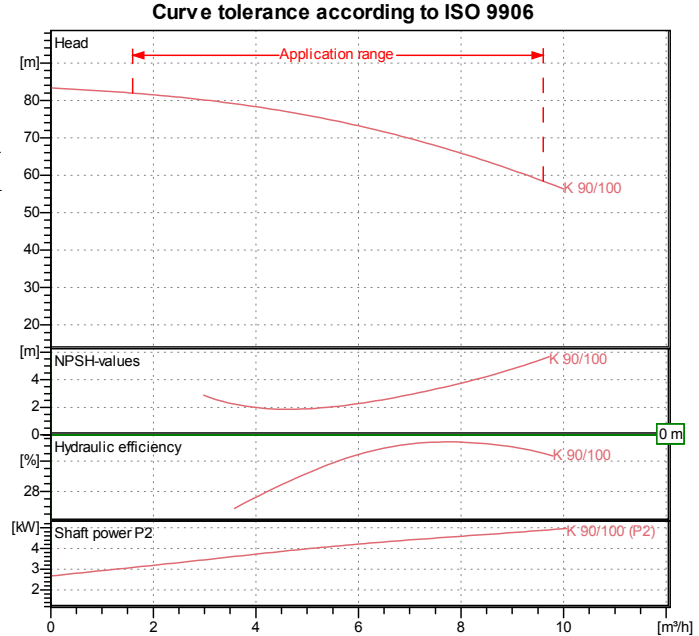
Requested data

 Flow : 0.00 m³/h
 Head : 0.00 m
 Fluid : Water, pure
 Fluid Temperature : 20 °C
 Density : 998.3 kg/m³
 Kinematic viscosity : 1.005 mm²/s
 Vapor pressure : 100.00 kPa

Hydraulic data (duty point)

 Flow :
 Head :
 NPSH :
 Shaft power P2 :
 Efficiency :

Materials

 Pump body : Cast iron 200 UNI ISO 185
 Support : Cast iron 200 UNI ISO 185
 Impeller : Technopolymer B
 Mechanical seal : Carbon/Ceramic
 OR ring : Guarnital
 Shaft with rotor : AISI 303 X10 CrNiS 1809 UNI 6900/71
 Intermediate cover : Cast iron 200 UNI ISO 185

Weight : 43 kg

Motor data

 Motor brand : DAB
 Nominal power P2 : 4 kW
 Rated speed : 2850 rpm
 Rated voltage : 3~ 230 V / 400 V 50 Hz
 Nominal current : 16.5 / 9.5 A
 Degree of protection : IP 55

Dimensions in mm

A	not available	∅	14
B	256		
C	88		
D	160		
DNA	1" 1/2 G		
DNM	1" G		
E	72		
F	18		
G	200		
H	312.5		
H1	140		
H2	172.5		

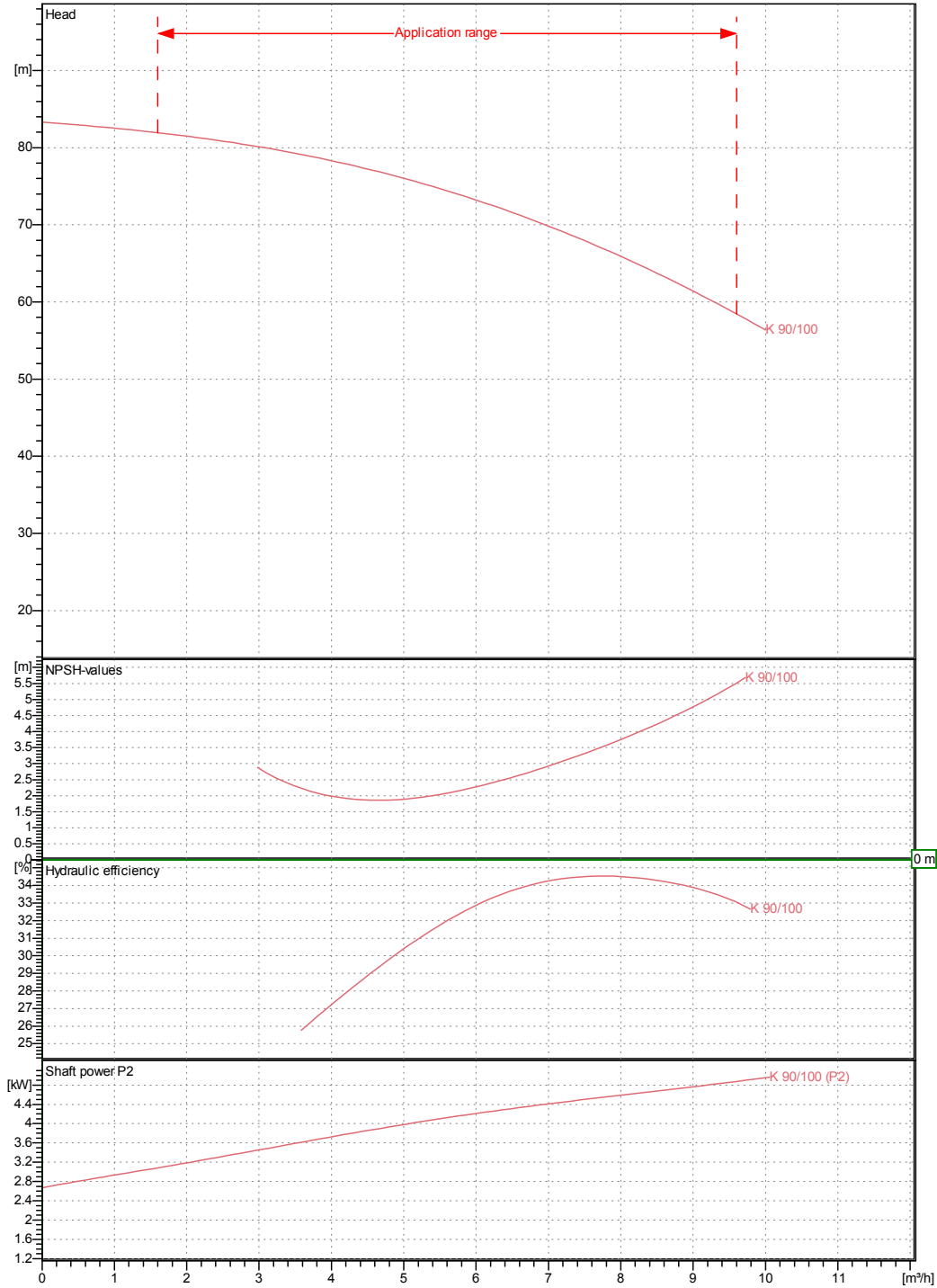
Pump connection

 Suction side : 1 " 1/2 G/ 12 bar (1200 kPa)
 Discharge side : 1 " G / 12 bar (1200 kPa)

Society Reference Address Phone Fax E-mail	Receiver	From

K 90/100 T

Curve tolerance according to ISO 9906



Hydraulic data (duty point)

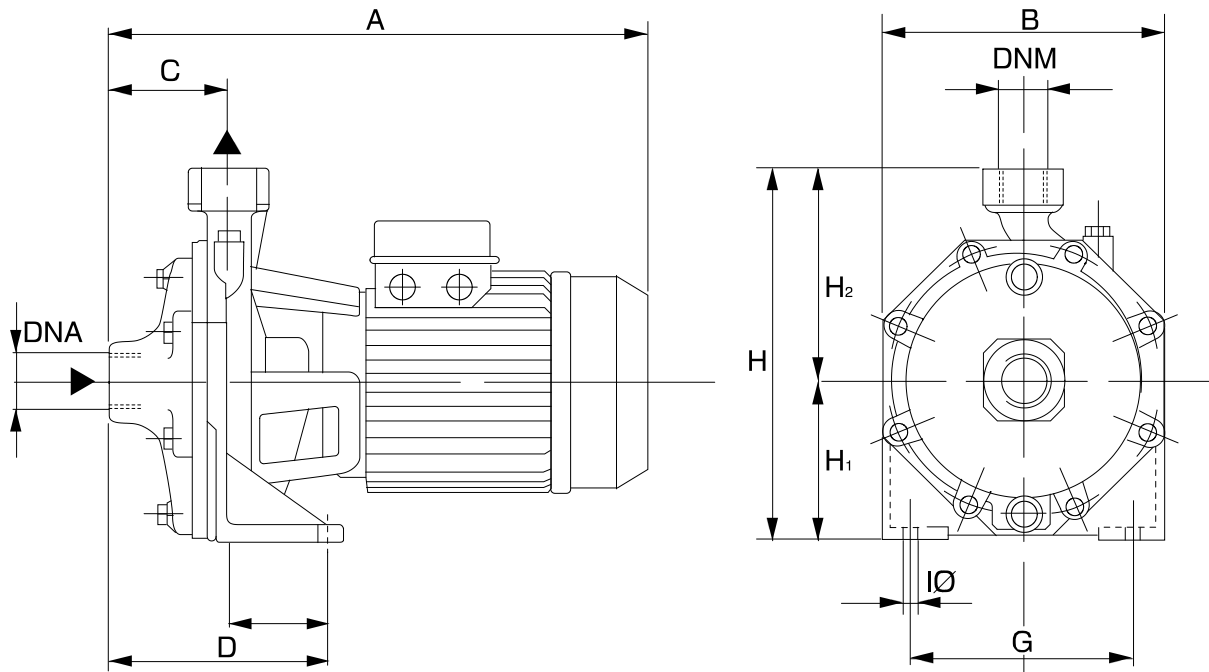
Suction side : 1 " 1/2 G 12 bar (1200 kPa)	Discharge side : 1 " G 12 bar (1200 kPa)	Flow : 0 m³/h	Head : 0 m	Rated speed : 2850 rpm
Project	Project ID	Created by	Created on 24/03/2016	

Receiver

From

 Society
 Reference
 Address
 Phone
 Fax
 E-mail

K 90/100 T


Dimensions in mm

1	A	not available	H1	140		
2	B	256	H2	172.5		
3	C	88	IØ	14		
4	D	160				
5	DNA	1"1/2 G				
6	DNM	1" G				
7	E	72				
8	F	18				
9	G	200				
10	H	312.5				

Pump connection

Suction
 1 " 1/2 G
 12 bar (1200 kPa)

Discharge
 1 " G
 12 bar (1200 kPa)

Project

Project ID

Created by

Created on

24/03/2016