

Receiver
From

 Society
 Reference
 Address
 Phone
 Fax
 E-mail

Item n° :

60146067

Model :

K 66/100 T IE2

Pump data
MEI ≥

Pressure rating : 10 bar (1000 kPa)

Min. fluid temperature : -15 °C

Max. fluid temperature : 110 °C

Max. Ambient temperature : 40 °C

Requested data

Flow : 0.00 m³/h

Head : 0.00 m

Fluid : Water, pure

Fluid Temperature : 20 °C

Density : 998.3 kg/m³

Kinematic viscosity : 1.005 mm²/s

Vapor pressure : 100.00 kPa

Hydraulic data (duty point)

Flow :

Head :

NPSH :

Shaft power P2 :

Efficiency :

Materials

Pump body Cast iron 200 UNI ISO 185

Support Cast iron 200 UNI ISO 185

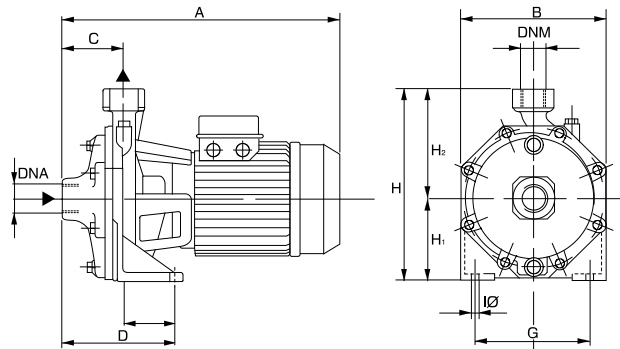
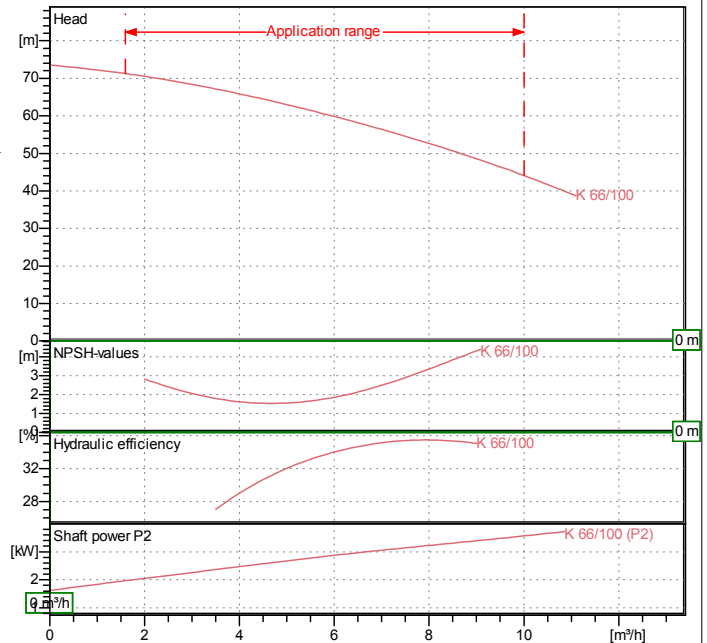
Impeller Technopolymer B

Mechanical seal Carbon/Ceramic

OR ring Guarnital

Shaft with rotor AISI 303 X10 CrNiS 1809 UNI 6900/71

Intermediate cover Cast iron 200 UNI ISO 185

Curve tolerance according to ISO 9906

Weight : 40.7 kg

Motor data

Motor brand : DAB

Nominal power P2 : 3 kW

Rated speed : 2850 rpm

Rated voltage : 3~ 230 V / 400 V 50 Hz

Nominal current : 14.6 / 8.4 A

Degree of protection : IP 55

Dimensions in mm

A	450	∅	14
B	256		
C	88		
D	160		
DNA	1" 1/2 G		
DNM	1" G		
E	72		
F	18		
G	200		
H	312.5		
H1	140		
H2	172.5		

Pump connection

Suction side : 1 " 1/2 G/ 10 bar (1000 kPa)

Discharge side : 1 " G / 10 bar (1000 kPa)

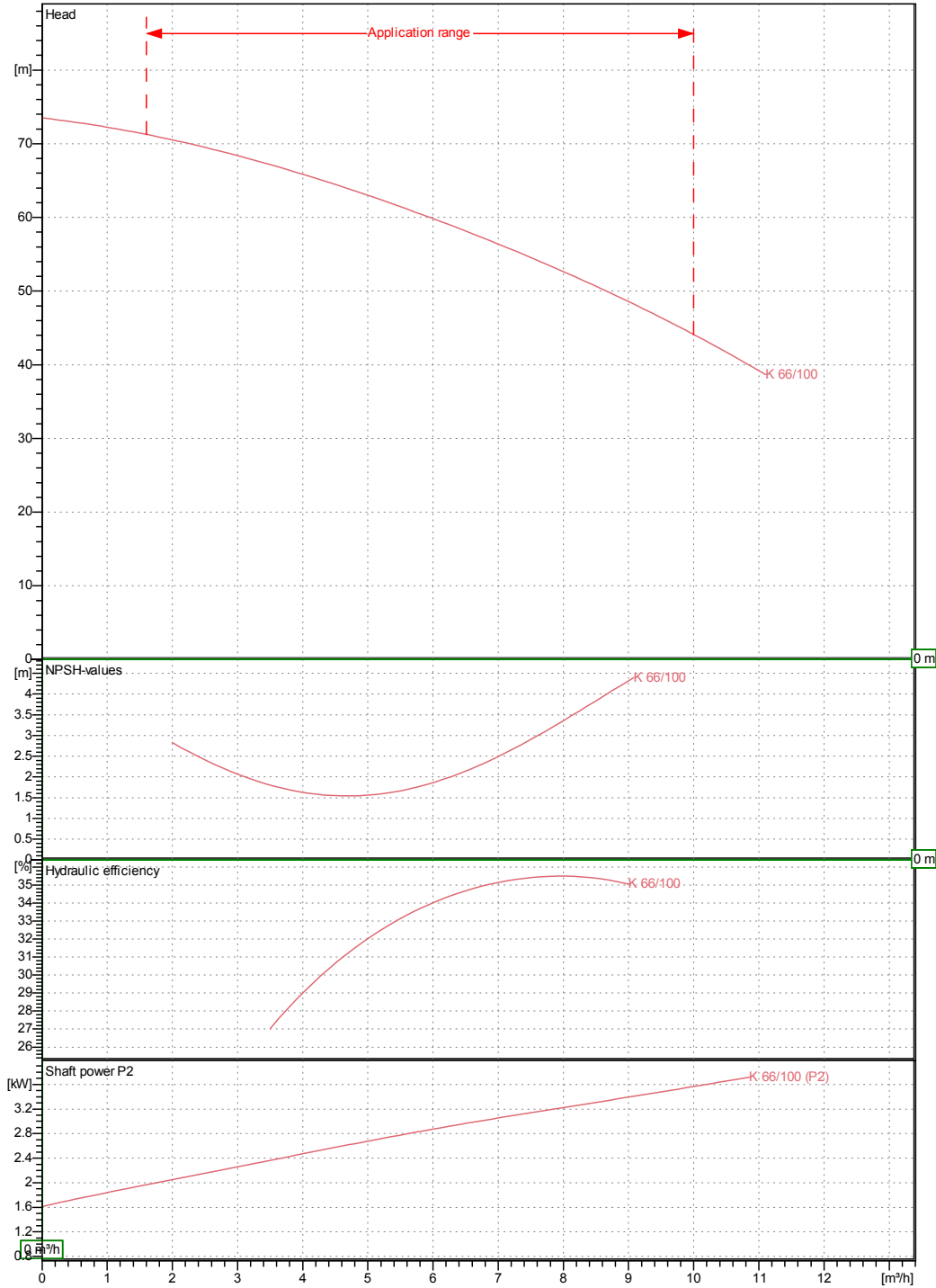
Receiver

From

Society
Reference
Address
Phone
Fax
E-mail

K 66/100 TIE2

Curve tolerance according to ISO 9906



Hydraulic data (duty point)

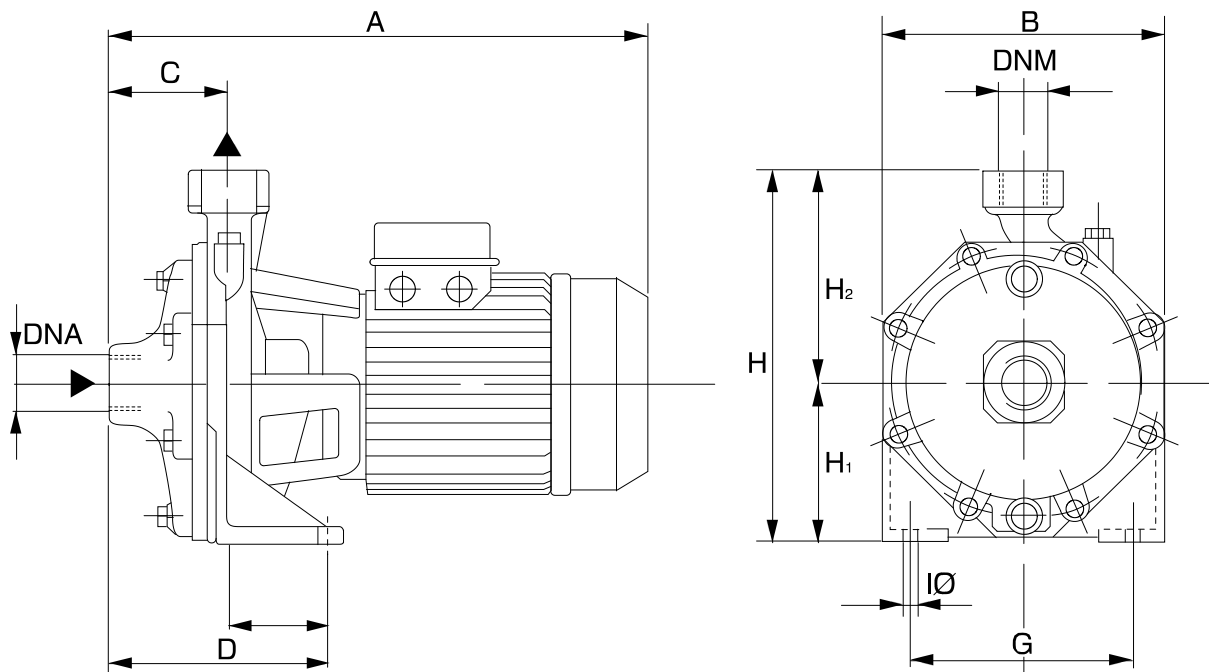
Suction side : 1 " 1/2 G 10 bar (1000 kPa)	Discharge side : 1 " G 10 bar (1000 kPa)	Flow : 0 m³/h	Head : 0 m	Rated speed : 2850 rpm
Project	Project ID	Created by	Created on 24/03/2016	

Receiver

From

 Society
 Reference
 Address
 Phone
 Fax
 E-mail

K 66/100 T IE2


Dimensions in mm

1	A	450	H1	140		
2	B	256	H2	172.5		
3	C	88	Ø	14		
4	D	160				
5	DNA	1"1/2 G				
6	DNM	1" G				
7	E	72				
8	F	18				
9	G	200				
10	H	312.5				

Pump connection

Suction
 1 " 1/2 G
 10 bar (1000 kPa)

Discharge
 1 " G
 10 bar (1000 kPa)

Project

Project ID

Created by

Created on

24/03/2016