

Receiver
From

 Society
 Reference
 Address
 Phone
 Fax
 E-mail

Item n° :

102660030

Model :

JET 82 T

Pump data

 Pressure rating : 6 bar (600 kPa)
 Min. fluid temperature : 0 °C
 Max. fluid temperature : 35 °C
 Max. Ambient temperature : 40 °C

Priming capacity :

H	m	2	3	4	5	6	7	8	9
Q	m³/h	3.06	2.76	2.46	2.28	1.92	1.74	1.32	1.02

Requested data

 Flow : 0.00 m³/h
 Head : 0.00 m
 Fluid : Water, pure
 Fluid Temperature : 20 °C
 Density : 998.3 kg/m³
 Kinematic viscosity : 1.005 mm²/s
 Vapor pressure : 100.00 kPa

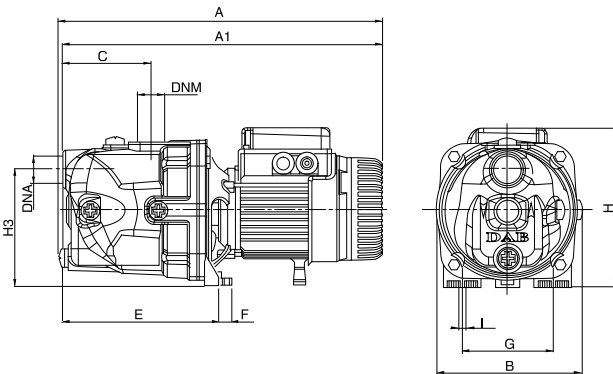
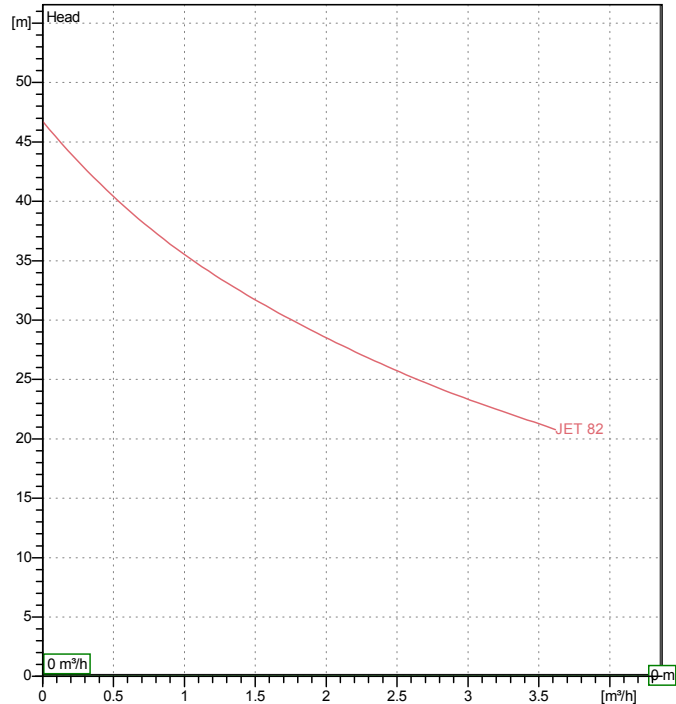
Hydraulic data (duty point)

Flow :

Head :

Materials

 Pump body : Cast iron 200 UNI ISO 185
 Support : Die cast aluminium
 Impeller : Technopoly mer A
 Mechanical seal : Carbon/Ceramic
 OR ring : NBR Rubber
 Shaft with rotor : AISI 416 X12 CrS 13 UNI 6900/71
 Nozzle venturi diffuser assembly : Technopoly mer A

Curve tolerance according to ISO 9906

Motor data

 Motor brand : DAB
 Nominal power P2 : 0.6 kW
 Rated speed : 2750 rpm
 Rated voltage : 3~ 230 V / 400 V 50 Hz
 Nominal current : 2.8 / 1.6 A
 Degree of protection : IP 44

Dimensions in
mm

A	395	DNA	1" G	G	111		
A1	395	DNM	1" G	H	193		
B	178	E	192	H3	144		
C	108	F	14	I Ø	9		

Weight : 10.7 kg

Pump connection

 Suction side : 1 " G / 6 bar (600 kPa)
 Discharge side : 1 " G / 6 bar (600 kPa)



PERFORMANCE CURVES

24/03/2016

Page 2 / 3

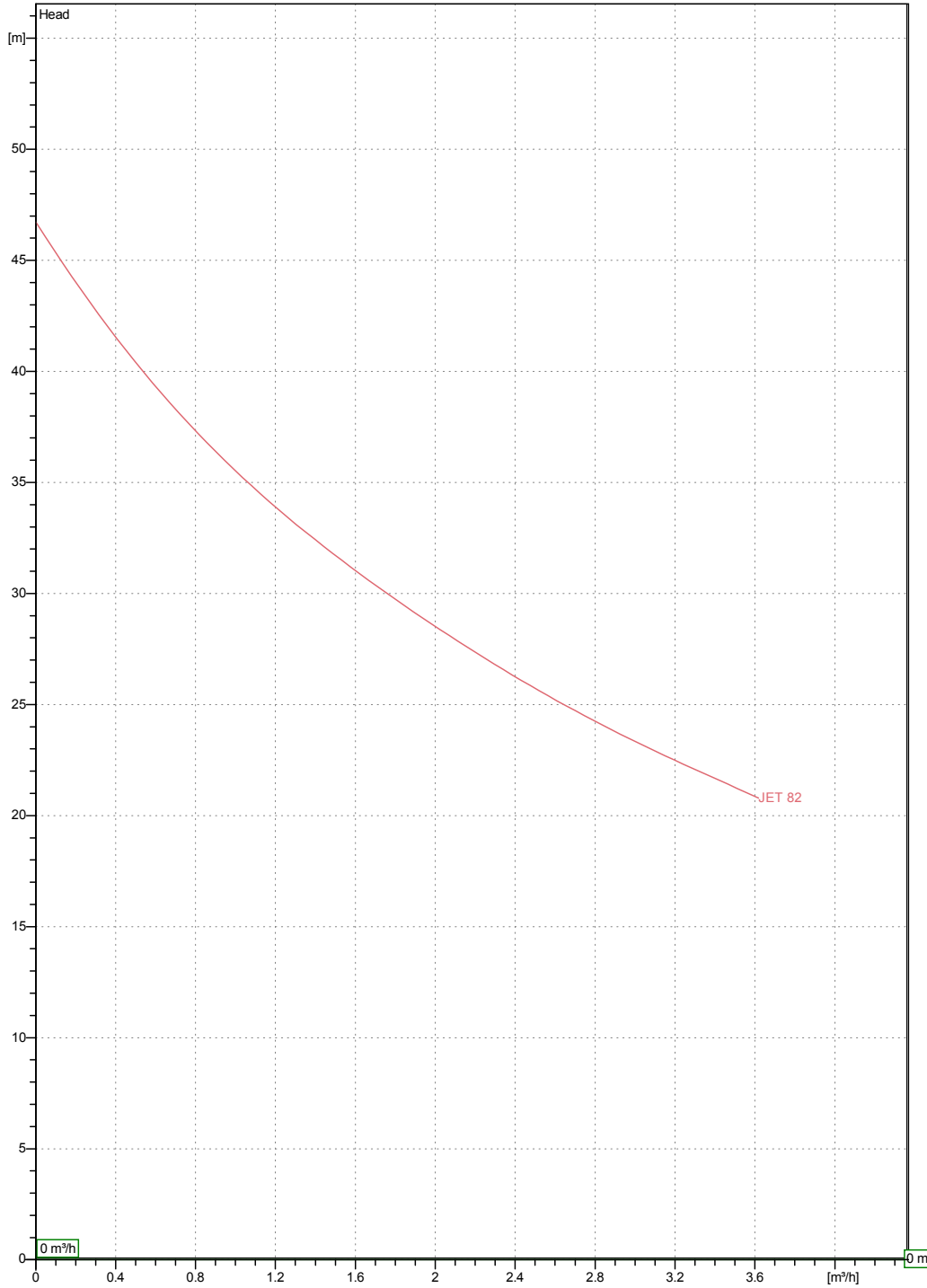
Society
Reference
Address
Phone
Fax
E-mail

Receiver

From

JET 82 T

Curve tolerance according to ISO 9906



Hydraulic data (duty point)

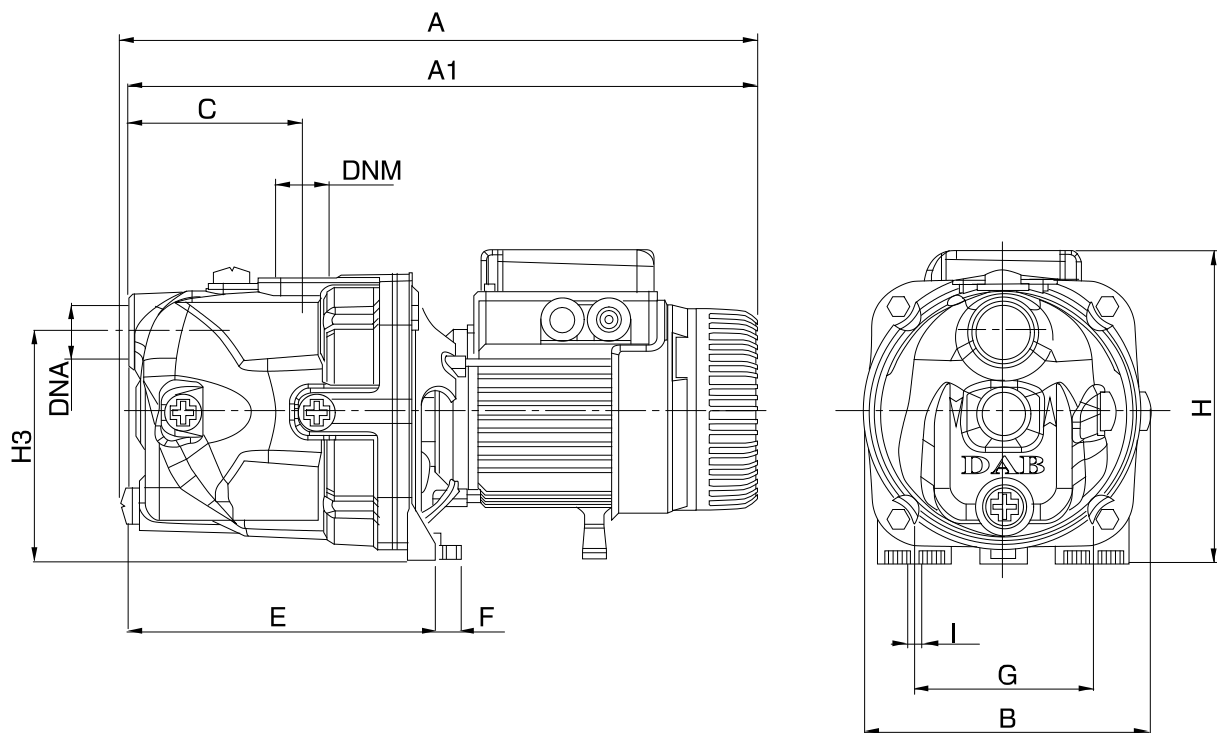
Suction side : 1 " G 6 bar (600 kPa)	Discharge side : 1 " G 6 bar (600 kPa)	Flow : 0 m³/h	Head : 0 m	Rated speed : 2750 rpm
Project	Project ID	Created by	Created on 24/03/2016	

Receiver

From

 Society
 Reference
 Address
 Phone
 Fax
 E-mail

JET 82 T


Dimensions in mm

1	A	395	H3	144		
2	A1	395	I Ø	9		
3	B	178				
4	C	108				
5	DNA	1" G				
6	DNM	1" G				
7	E	192				
8	F	14				
9	G	111				
10	H	193				

Pump connection

Suction
 1 " G
 6 bar (600 kPa)

Discharge
 1 " G
 6 bar (600 kPa)

Project

Project ID

Created by

Created on

24/03/2016