

Receiver
From

 Society
 Reference
 Address
 Phone
 Fax
 E-mail

Item n° :

102160142

Model :

JET 200 M

Pump data

 Pressure rating : 8 bar (800 kPa)
 Min. fluid temperature : 0 °C
 Max. fluid temperature : 35 °C
 Max. Ambient temperature : 40 °C

Priming capacity :

H m	2	3	4	5	6	7	8
Q m³/h	9.48	8.58	7.8	6.48	5.58	4.68	3.72

Requested data

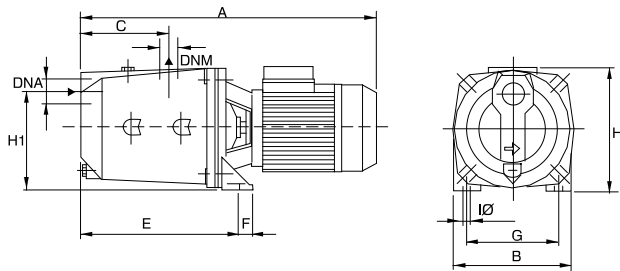
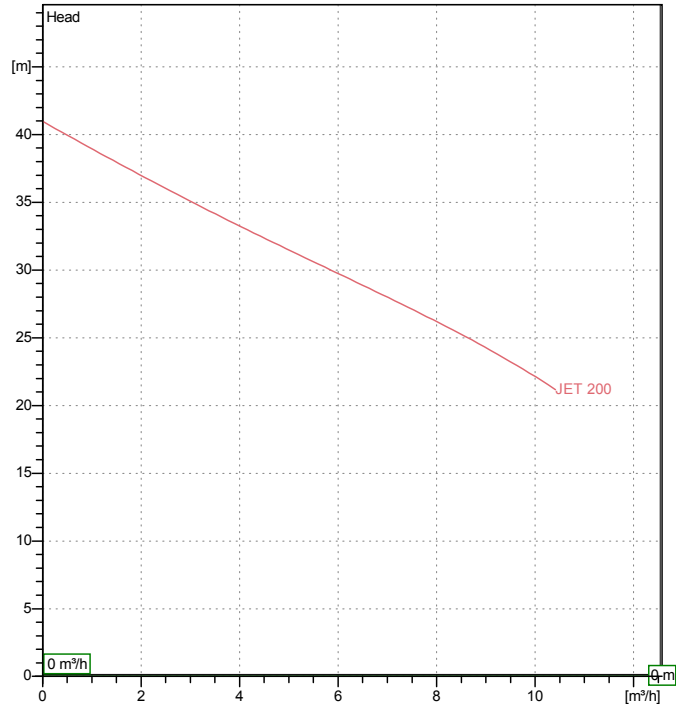
 Flow : 0.00 m³/h
 Head : 0.00 m
 Fluid : Water, pure
 Fluid Temperature : 20 °C
 Density : 998.3 kg/m³
 Kinematic viscosity : 1.005 mm²/s
 Vapor pressure : 100.00 kPa

Hydraulic data (duty point)

 Flow :
 Head :

Materials

 Pump body Cast iron GJL 200 UNI EN 1561
 Support Cast iron GJL 200 UNI EN 1561
 Impeller Noryl
 Mechanical seal Carbon/Ceramic
 OR ring NBR Rubber
 Shaft with rotor AISI 303
 Nozzle venturi diffuser assembly Noryl

Curve tolerance according to ISO 9906

Motor data

 Motor brand : DAB
 Nominal power P2 : 1.5 kW
 Rated speed : 2850 rpm
 Rated voltage : 1~ 220-240 V 50 Hz
 Nominal current : 9 A
 Degree of protection : IP 44

Dimensions in
mm

A	521	DNM	1"1/4 G	H	227		
B	214	E	282	H1	175		
C	151	F	20	I Ø	11		
DNA	1"1/2 G	G	160				

Weight : 27 kg

Pump connection

 Suction side : 1 " 1/2 G/ 8 bar (800 kPa)
 Discharge side : 1 " 1/4 G/ 8 bar (800 kPa)



PERFORMANCE CURVES

24/03/2016

Page 2 / 3

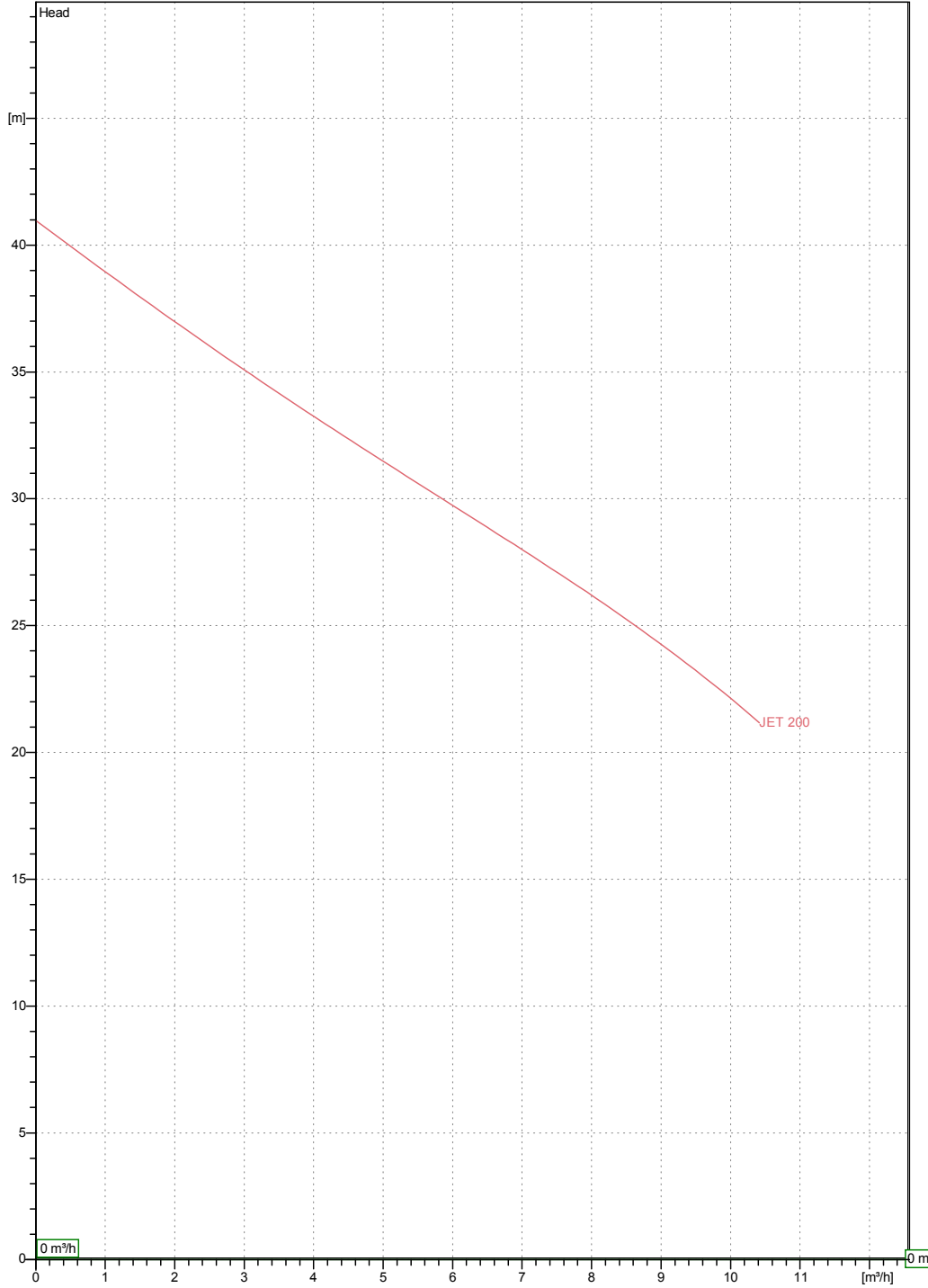
Receiver

From

Society
Reference
Address
Phone
Fax
E-mail

JET 200 M

Curve tolerance according to ISO 9906



Hydraulic data (duty point)

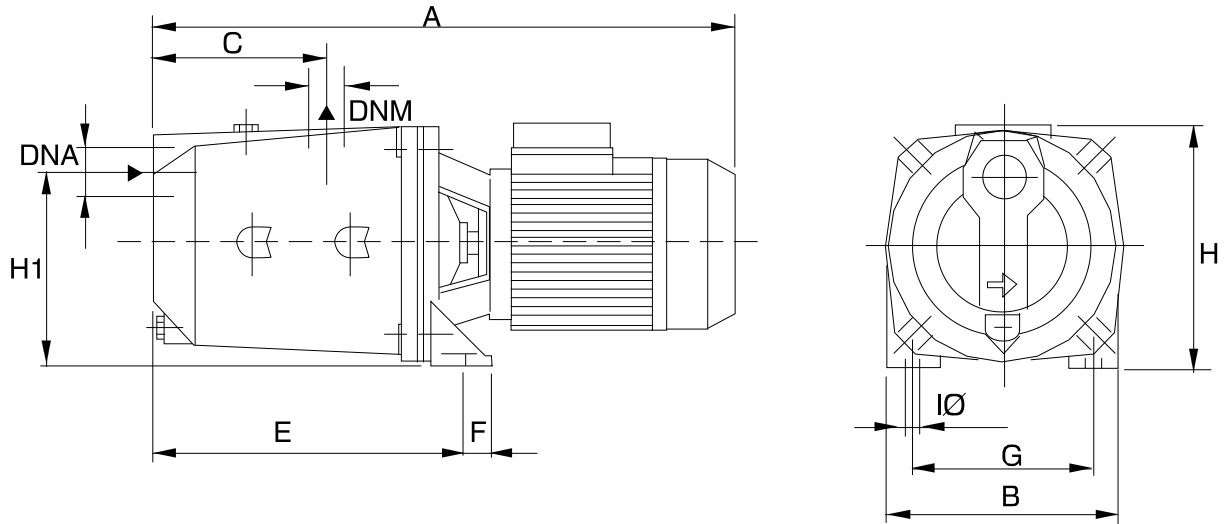
Suction side : 1 " 1/2 G 8 bar (800 kPa)	Discharge side : 1 " 1/4 G 8 bar (800 kPa)	Flow : 0 m³/h	Head : 0 m	Rated speed : 2850 rpm
Project	Project ID	Created by	Created on 24/03/2016	

Receiver

From

 Society
 Reference
 Address
 Phone
 Fax
 E-mail

JET 200 M


Dimensions in mm

1	A	521	I Ø	11		
2	B	214				
3	C	151				
4	DNA	1"1/2 G				
5	DNM	1"1/4 G				
6	E	282				
7	F	20				
8	G	160				
9	H	227				
10	H1	175				

Pump connection

 Suction
 1 " 1/2 G
 8 bar (800 kPa)

 Discharge
 1 " 1/4 G
 8 bar (800 kPa)

Project

Project ID

Created by

Created on

24/03/2016