

Receiver
From

 Society
 Reference
 Address
 Phone
 Fax
 E-mail

Item n° :

102660040

Model :

JET 102 M

Pump data

 Pressure rating : 6 bar (600 kPa)
 Min. fluid temperature : 0 °C
 Max. fluid temperature : 35 °C
 Max. Ambient temperature : 40 °C

Priming capacity :

H m	2	3	4	5	6	7	8	9
Q m³/h	3.06	2.82	2.46	2.28	2.04	1.68	1.38	1.08

Requested data

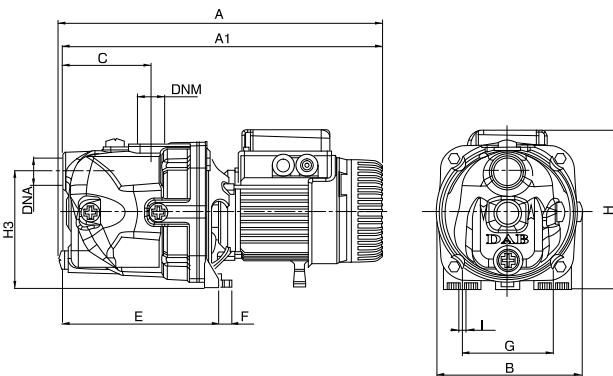
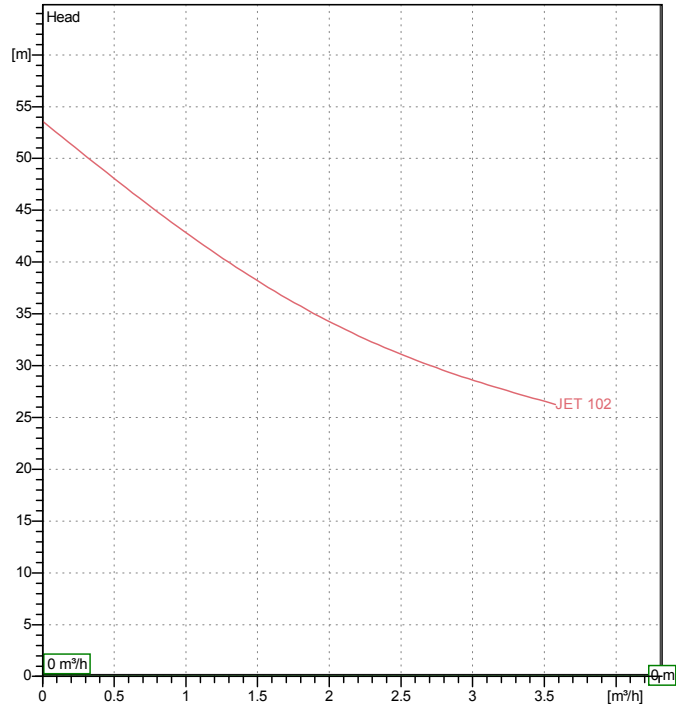
 Flow : 0.00 m³/h
 Head : 0.00 m
 Fluid : Water, pure
 Fluid Temperature : 20 °C
 Density : 998.3 kg/m³
 Kinematic viscosity : 1.005 mm²/s
 Vapor pressure : 100.00 kPa

Hydraulic data (duty point)

 Flow :
 Head :

Materials

 Pump body : Cast iron 200 UNI ISO 185
 Support : Die cast aluminium
 Impeller : Technopoly mer A
 Mechanical seal : Carbon/Ceramic
 OR ring : NBR Rubber
 Shaft with rotor : AISI 416 X12 CrS 13 UNI 6900/71
 Nozzle venturi diffuser assembly : Technopoly mer A

Curve tolerance according to ISO 9906

Motor data

 Motor brand : DAB
 Nominal power P2 : 0.75 kW
 Rated speed : 2800 rpm
 Rated voltage : 1~ 220-240 V 50 Hz
 Nominal current : 5.1 A
 Degree of protection : IP 44

Dimensions in
mm

A	414	DNA	1" G	G	111		
A1	409	DNM	1" G	H	203		
B	178	E	197	H3	144		
C	108	F	14	I Ø	9		

Weight : 12.5 kg

Pump connection

 Suction side : 1 " G / 6 bar (600 kPa)
 Discharge side : 1 " G / 6 bar (600 kPa)



PERFORMANCE CURVES

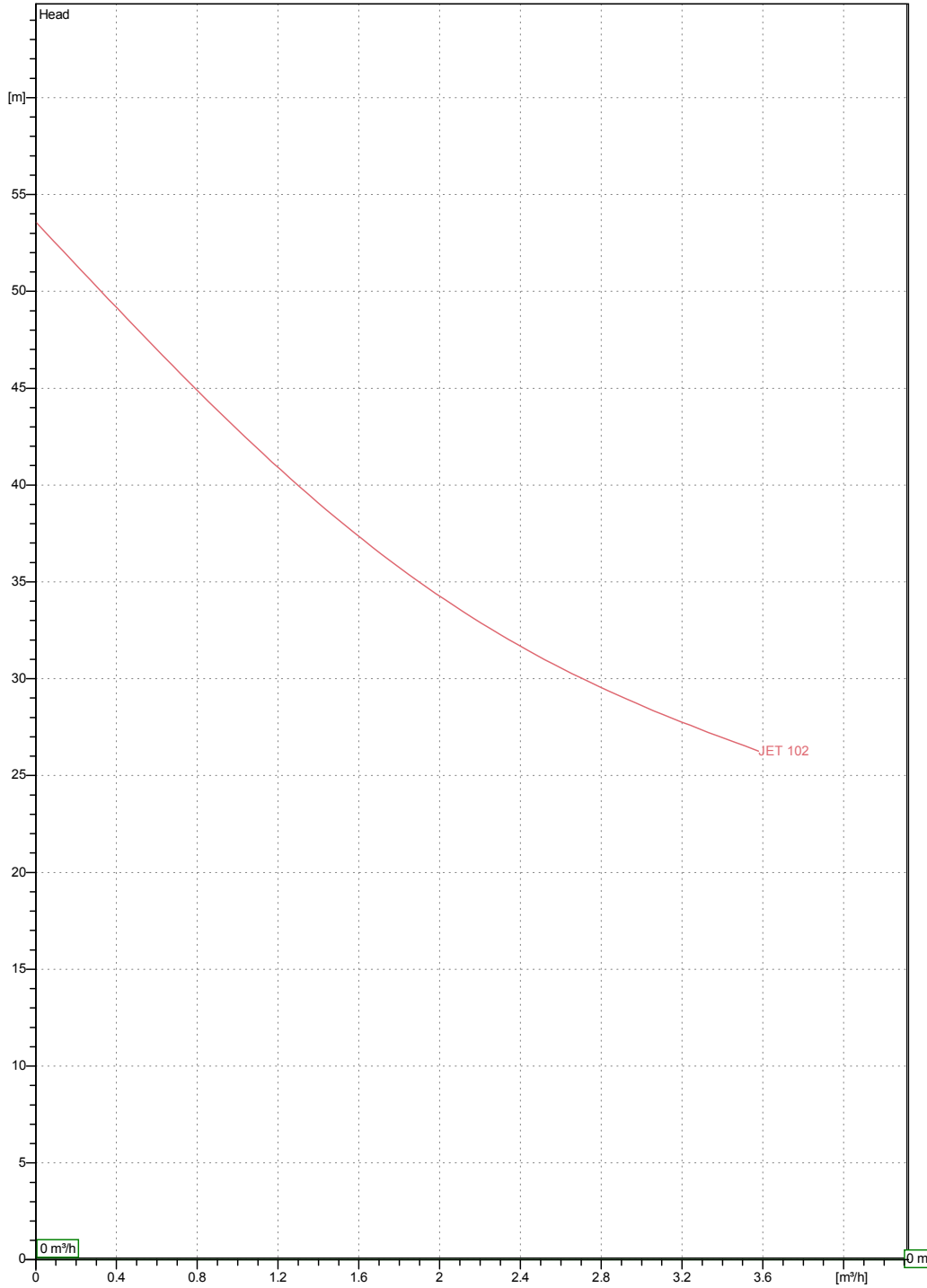
24/03/2016

Page 2 / 3

Society Reference Address Phone Fax E-mail	Receiver	From

JET 102 M

Curve tolerance according to ISO 9906



Hydraulic data (duty point)

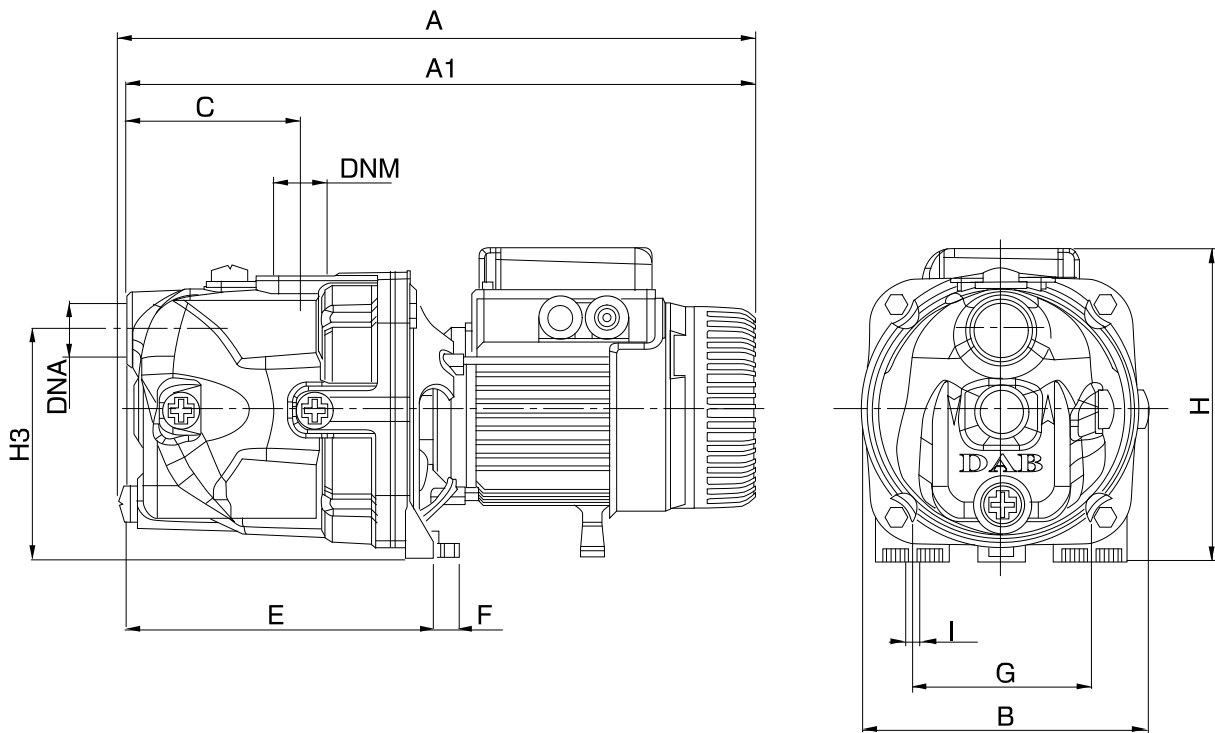
Suction side : 1 " G 6 bar (600 kPa)	Discharge side : 1 " G 6 bar (600 kPa)	Flow : 0 m³/h	Head : 0 m	Rated speed : 2800 rpm
Project	Project ID	Created by	Created on 24/03/2016	

Receiver

From

 Society
 Reference
 Address
 Phone
 Fax
 E-mail

JET 102 M


Dimensions in mm

1	A	414	H3	144		
2	A1	409	I Ø	9		
3	B	178				
4	C	108				
5	DNA	1" G				
6	DNM	1" G				
7	E	197				
8	F	14				
9	G	111				
10	H	203				

Pump connection

Suction
 1 " G
 6 bar (600 kPa)

Discharge
 1 " G
 6 bar (600 kPa)

Project

Project ID

Created by

Created on

24/03/2016