

**Receiver**
**From**

 Society  
 Reference  
 Address  
 Phone  
 Fax  
 E-mail

**Item n° :**

102660020

**Model :**

JET 82 M

**Pump data**

 Pressure rating : 6 bar (600 kPa)  
 Min. fluid temperature : 0 °C  
 Max. fluid temperature : 35 °C  
 Max. Ambient temperature : 40 °C

**Priming capacity :**

H m	2	3	4	5	6	7	8	9
Q m³/h	3.06	2.76	2.46	2.28	1.92	1.74	1.32	1.02

**Requested data**

 Flow : 0.00 m³/h  
 Head : 0.00 m  
 Fluid : Water, pure  
 Fluid Temperature : 20 °C  
 Density : 998.3 kg/m³  
 Kinematic viscosity : 1.005 mm²/s  
 Vapor pressure : 100.00 kPa

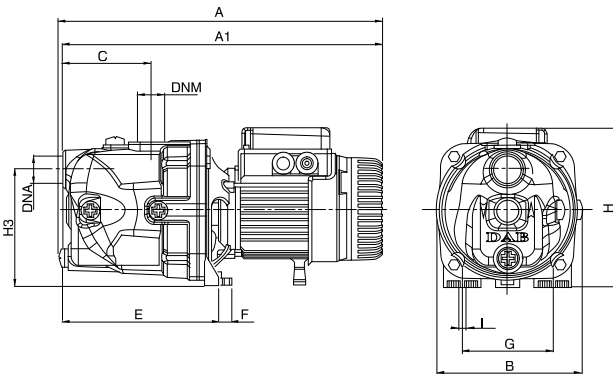
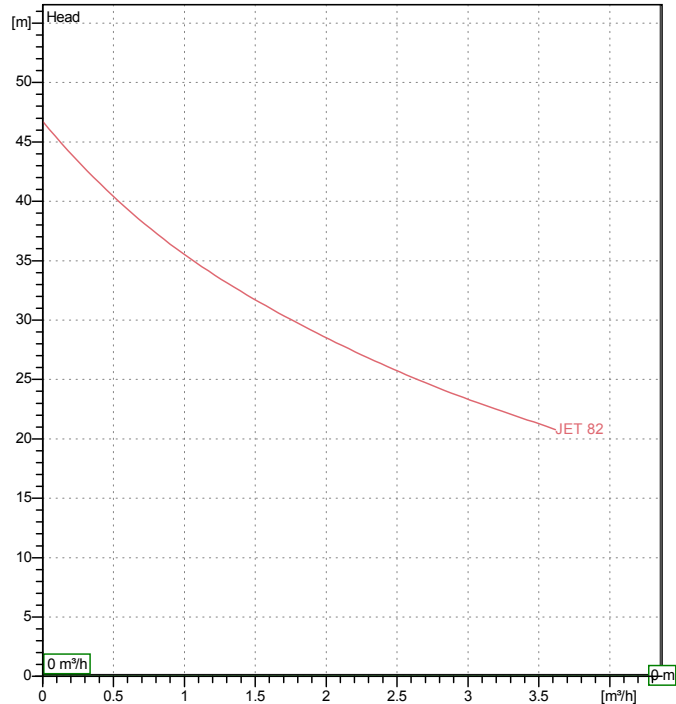
**Hydraulic data (duty point)**

Flow :

Head :

**Materials**

 Pump body : Cast iron 200 UNI ISO 185  
 Support : Die cast aluminium  
 Impeller : Technopoly mer A  
 Mechanical seal : Carbon/Ceramic  
 OR ring : NBR Rubber  
 Shaft with rotor : AISI 416 X12 CrS 13 UNI 6900/71  
 Nozzle venturi dif fuser assembly : Technopoly mer A

**Curve tolerance according to ISO 9906**

**Motor data**

 Motor brand : DAB  
 Nominal power P2 : 0.6 kW  
 Rated speed : 2750 rpm  
 Rated voltage : 1~ 220-240 V 50 Hz  
 Nominal current : 3.8 A  
 Degree of protection : IP 44

**Dimensions in**
**mm**

A	395	DNA	1" G	G	111		
A1	395	DNM	1" G	H	193		
B	178	E	192	H3	144		
C	108	F	14	I Ø	9		

**Weight :** 10.7 kg

**Pump connection**

 Suction side : 1 " G / 6 bar (600 kPa)  
 Discharge side : 1 " G / 6 bar (600 kPa)



# PERFORMANCE CURVES

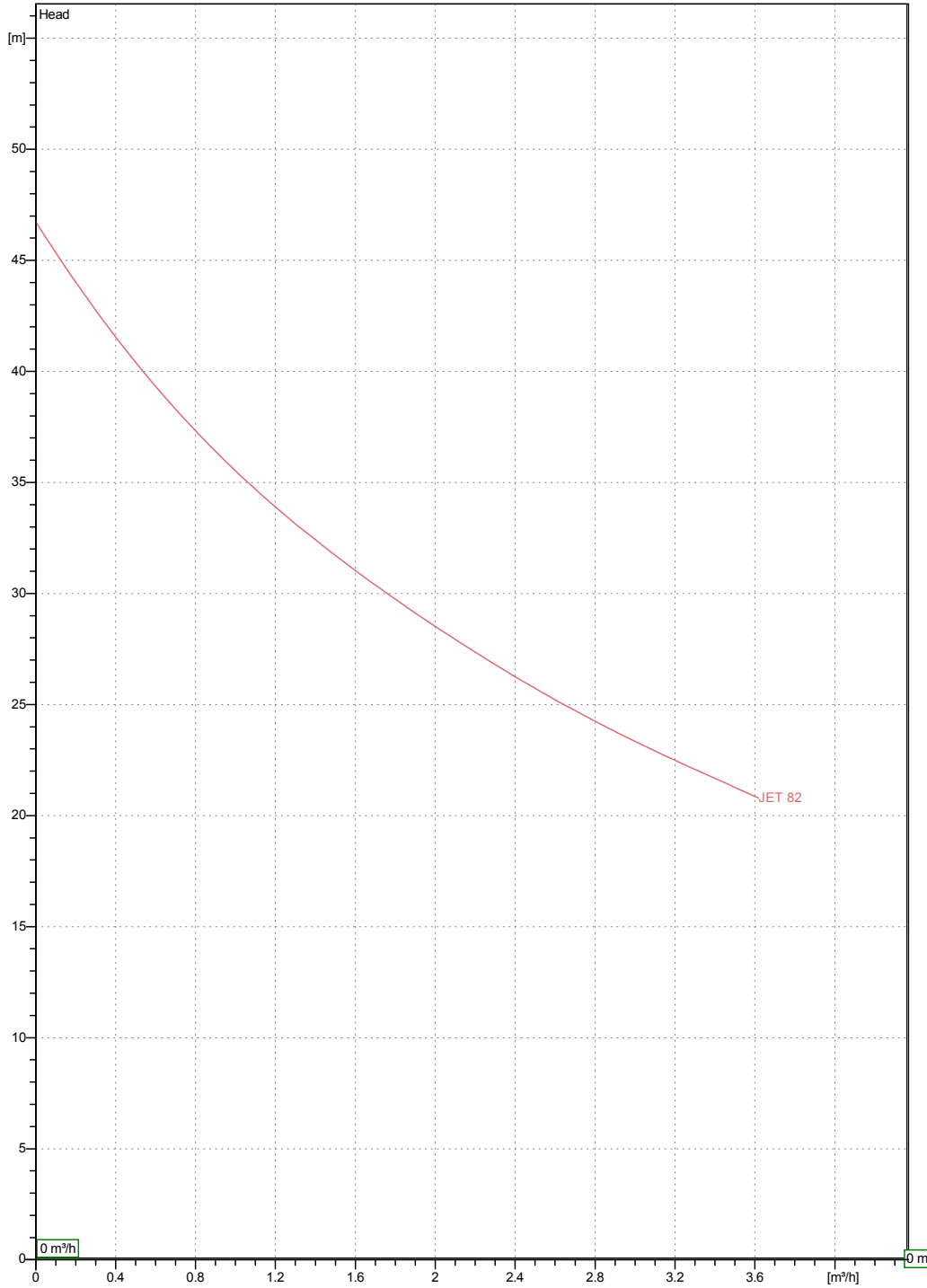
24/03/2016

Page 2 / 3

Society Reference Address Phone Fax E-mail	<b>Receiver</b>	<b>From</b>

## JET 82 M

Curve tolerance according to ISO 9906



Hydraulic data (duty point)

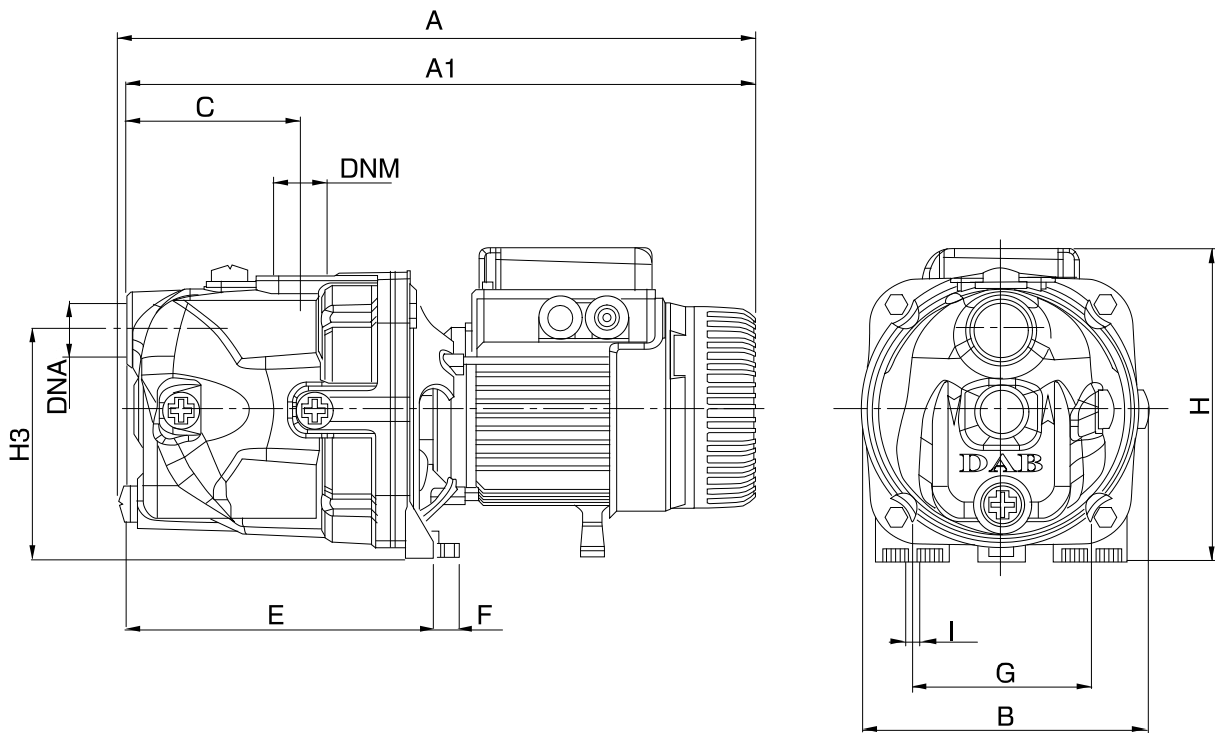
Suction side : 1 " G 6 bar (600 kPa)	Discharge side : 1 " G 6 bar (600 kPa)	Flow : 0 m³/h	Head : 0 m	Rated speed : 2750 rpm
Project	Project ID	Created by	Created on <b>24/03/2016</b>	

Receiver

From

 Society  
 Reference  
 Address  
 Phone  
 Fax  
 E-mail

## JET 82 M


**Dimensions in mm**

1	A	395	H3	144		
2	A1	395	I Ø	9		
3	B	178				
4	C	108				
5	DNA	1" G				
6	DNM	1" G				
7	E	192				
8	F	14				
9	G	111				
10	H	193				

**Pump connection**

Suction  
 1" G  
 6 bar (600 kPa)

Discharge  
 1" G  
 6 bar (600 kPa)

Project

Project ID

Created by

Created on

**24/03/2016**