

**Receiver**
**From**

 Society  
 Reference  
 Address  
 Phone  
 Fax  
 E-mail

**Item n° :**

102652040

**Model :**

GARDENJET 132 M

**Pump data**

 Impeller size : 0 mm  
 Pressure rating : 8 bar (800 kPa)  
 Min. fluid temperature : 0 °C  
 Max. fluid temperature : 35 °C  
 Max. Ambient temperature : 40 °C

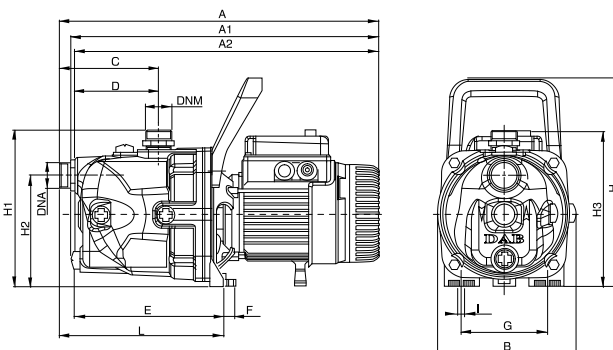
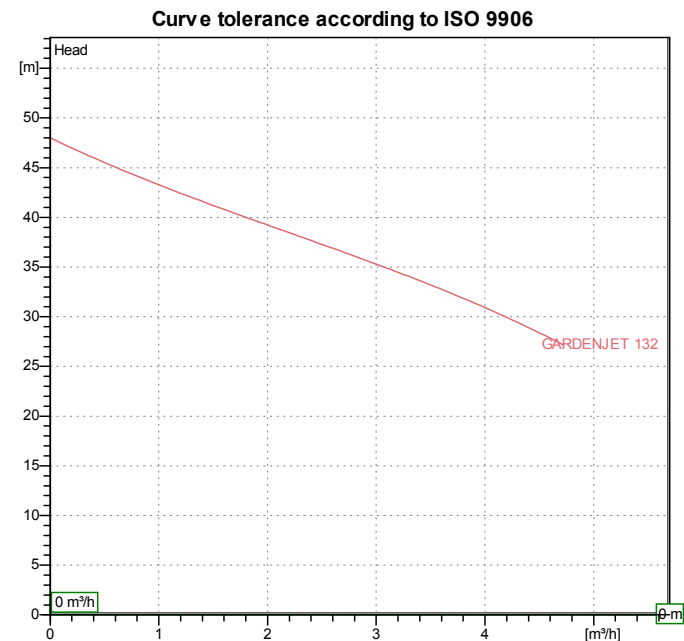
**Requested data**

 Flow : 0.00 m<sup>3</sup>/h  
 Head : 0.00 m  
 Fluid : Water, pure  
 Fluid Temperature : 20 °C  
 Density : 998.3 kg/m<sup>3</sup>  
 Kinematic viscosity : 1.005 mm<sup>2</sup>/s  
 Vapor pressure : 100.00 kPa

**Hydraulic data (duty point)**

 Flow :  
 Head :

**Materials**

 Pump body : Cast iron GJL 200 UNI EN 1561  
 Impeller : Technopoly mer A  
 Shaft with rotor : AISI 416 X12 CrS 13 UNI 6900/71  
 OR ring : NBR  
 Support : Die cast aluminium  
 Mechanical seal : Carbon/Ceramic  
 Nozzle venturi diffuser assembly : Technopoly mer A

**Weight :** 14 kg

**Motor data**

 Motor brand : DAB  
 Nominal power P2 : 1 kW  
 Rated speed : 2850 rpm  
 Rated voltage : 1~ 220-240 V 50 Hz  
 Nominal current : 6.6 A  
 Degree of protection : IP 44

**Dimensions in mm**

A	429	H1	200
A1	414	H2	144
A2	409	H3	209
B	178	I	9
C	127	L	212
D	108		
DNA	1" G		
DNM	1" G		
E	192		
F	14		
G	111		
H	268		

**Pump connection**

 Suction side : 1" G / 8 bar (800 kPa)  
 Discharge side : 1" G / 8 bar (800 kPa)



# PERFORMANCE CURVES

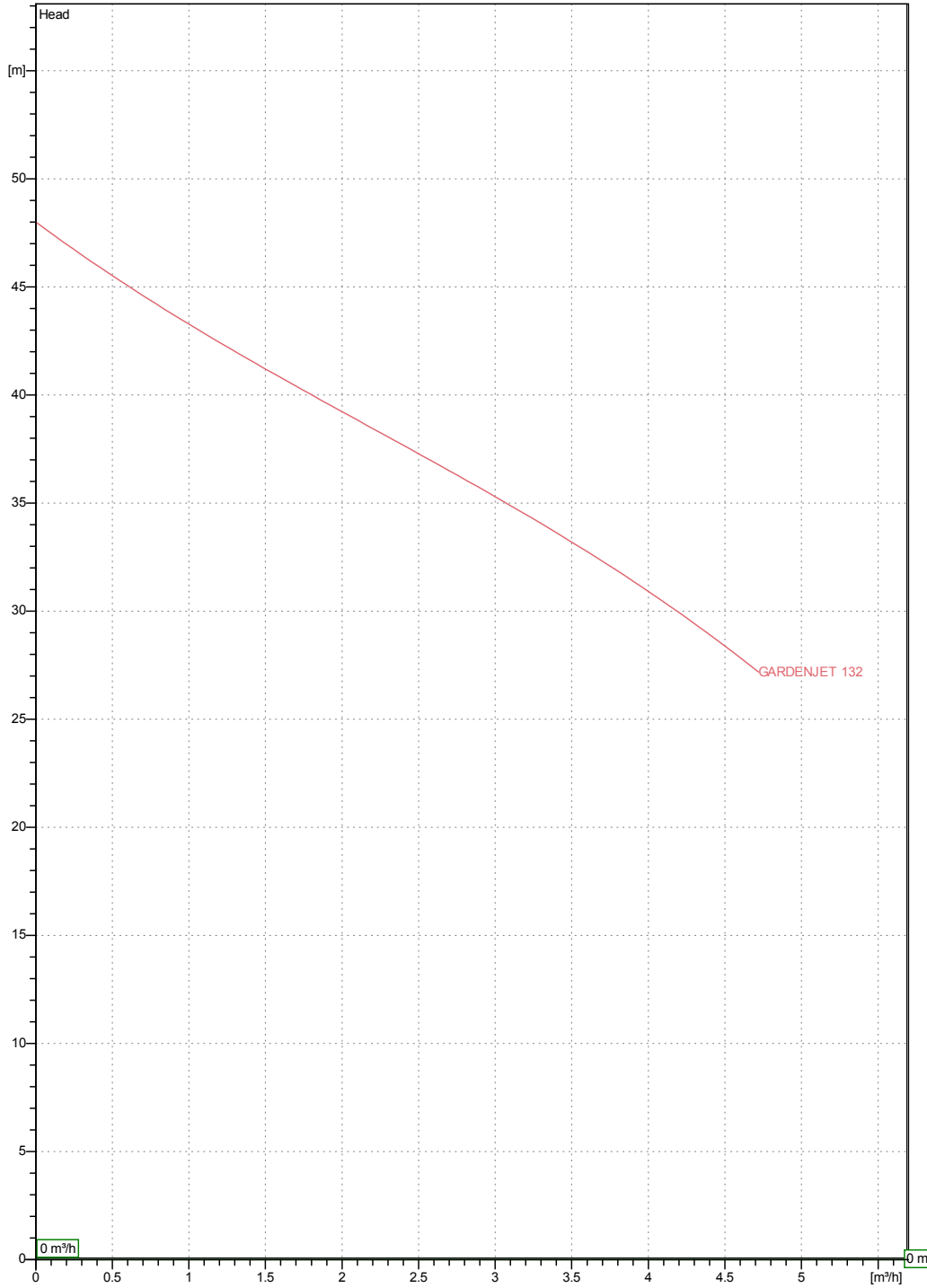
24/03/2016

Page 2 / 3

Society Reference Address Phone Fax E-mail	<b>Receiver</b>	<b>From</b>

## GARDENJET 132 M

Curve tolerance according to ISO 9906



Hydraulic data (duty point)

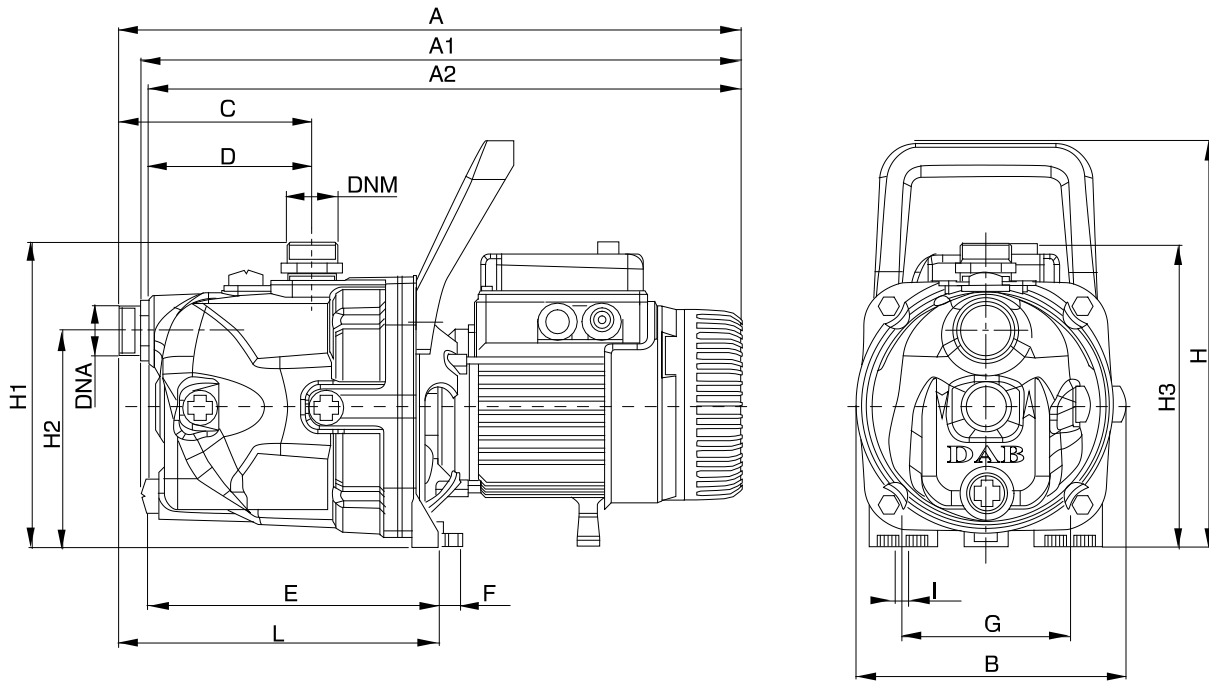
Suction side : 1 " G 8 bar (800 kPa)	Discharge side : 1 " G 8 bar (800 kPa)	Flow : 0 m³/h	Head : 0 m	Rated speed : 2850 rpm
Project	Project ID	Created by	Created on <b>24/03/2016</b>	

Receiver

From

 Society  
 Reference  
 Address  
 Phone  
 Fax  
 E-mail

## GARDENJET 132 M


**Dimensions in mm**

1	A	429	G	111
2	A1	414	H	268
3	A2	409	H1	200
4	B	178	H2	144
5	C	127	H3	209
6	D	108	I	9
7	DNA	1" G	L	212
8	DNM	1" G		
9	E	192		
10	F	14		

**Pump connection**

Suction  
 1" G  
 8 bar (800 kPa)

Discharge  
 1" G  
 8 bar (800 kPa)

Project

Project ID

Created by

Created on

**24/03/2016**