

Receiver
From

 Society
 Reference
 Address
 Phone
 Fax
 E-mail

Item n° :

102652010

Model :

GARDENJET 82 M

Pump data

 Impeller size : 0 mm
 Pressure rating : 8 bar (800 kPa)
 Min. fluid temperature : 0 °C
 Max. fluid temperature : 35 °C
 Max. Ambient temperature : 40 °C

Requested data

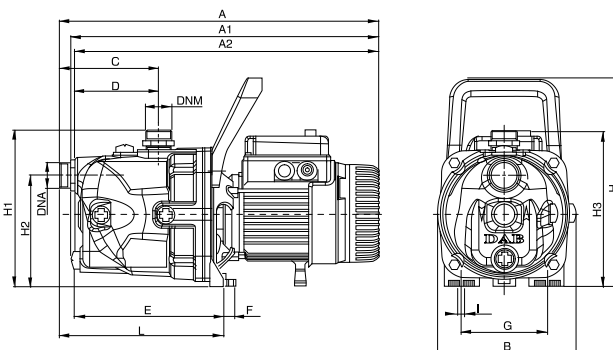
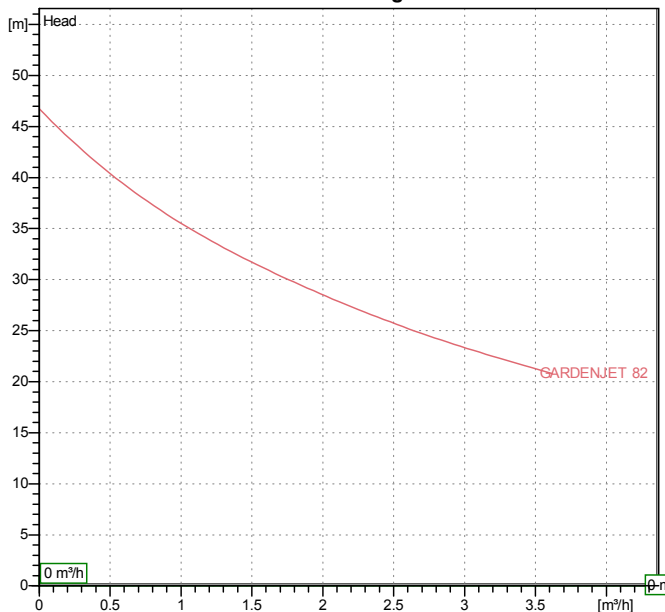
 Flow : 0.00 m³/h
 Head : 0.00 m
 Fluid : Water, pure
 Fluid Temperature : 20 °C
 Density : 998.3 kg/m³
 Kinematic viscosity : 1.005 mm²/s
 Vapor pressure : 100.00 kPa

Hydraulic data (duty point)

 Flow :
 Head :

Materials

 Pump body : Cast iron GJL 200 UNI EN 1561
 Impeller : Technopoly mer A
 Shaft with rotor : AISI 416 X12 CrS 13 UNI 6900/71
 OR ring : NBR
 Support : Die cast aluminium
 Mechanical seal : Carbon/Ceramic
 Nozzle venturi diffuser assembly : Technopoly mer A

Curve tolerance according to ISO 9906

Weight : 11.2 kg

Motor data

 Motor brand : DAB
 Nominal power P2 : 0.6 kW
 Rated speed : 2850 rpm
 Rated voltage : 1~ 220-240 V 50 Hz
 Nominal current : 3.8 A
 Degree of protection : IP 44

Dimensions in mm

A	410	H1	201
A1	395	H2	144
A2	390	H3	199
B	178	I	9
C	127	L	212
D	108		
DNA	1" G		
DNM	1" G		
E	192		
F	14		
G	111		
H	268		

Pump connection

 Suction side : 1 " G / 8 bar (800 kPa)
 Discharge side : 1 " G / 8 bar (800 kPa)



PERFORMANCE CURVES

24/03/2016

Page 2 / 3

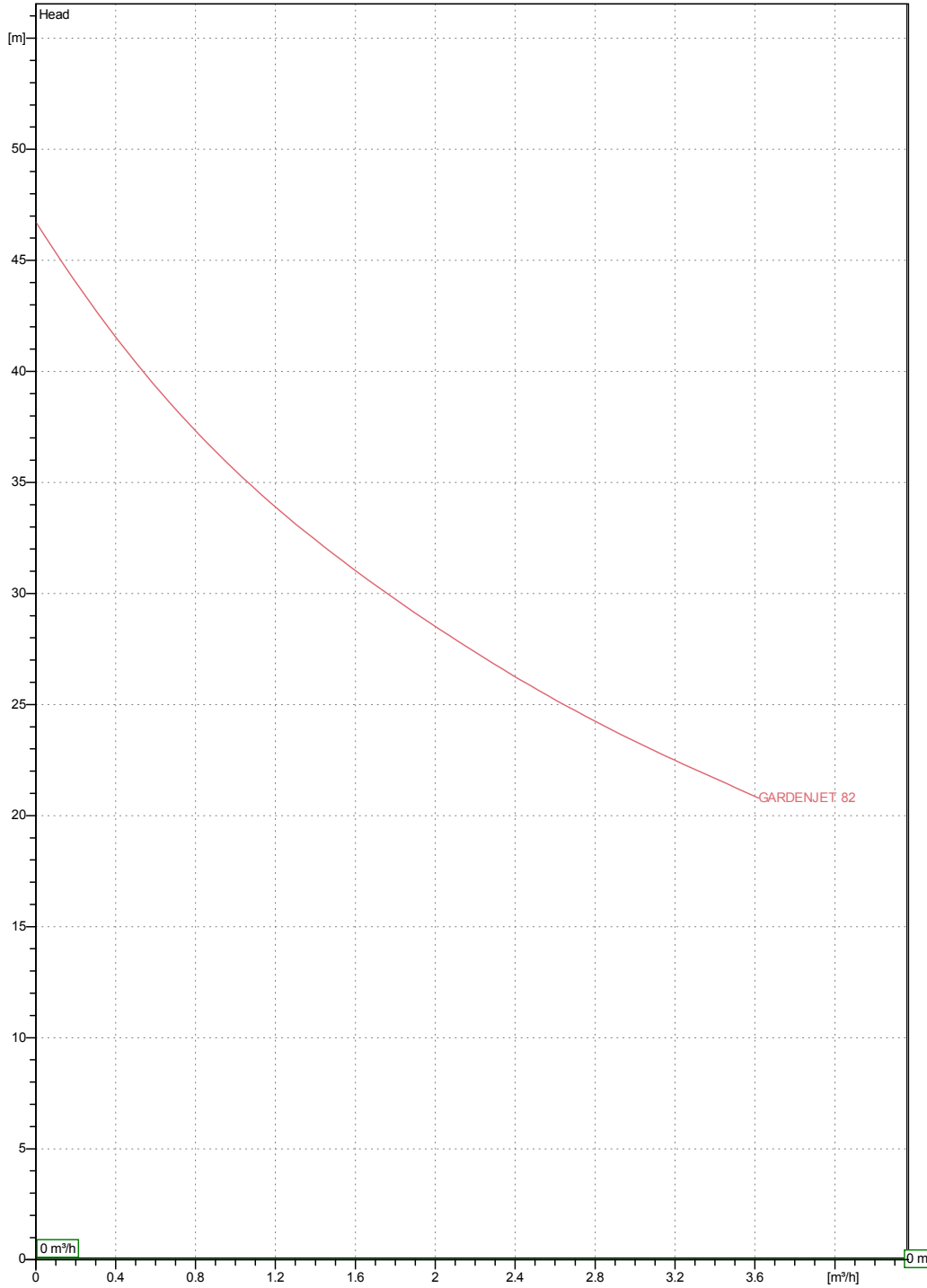
Receiver

From

Society
Reference
Address
Phone
Fax
E-mail

GARDENJET 82 M

Curve tolerance according to ISO 9906



Hydraulic data (duty point)

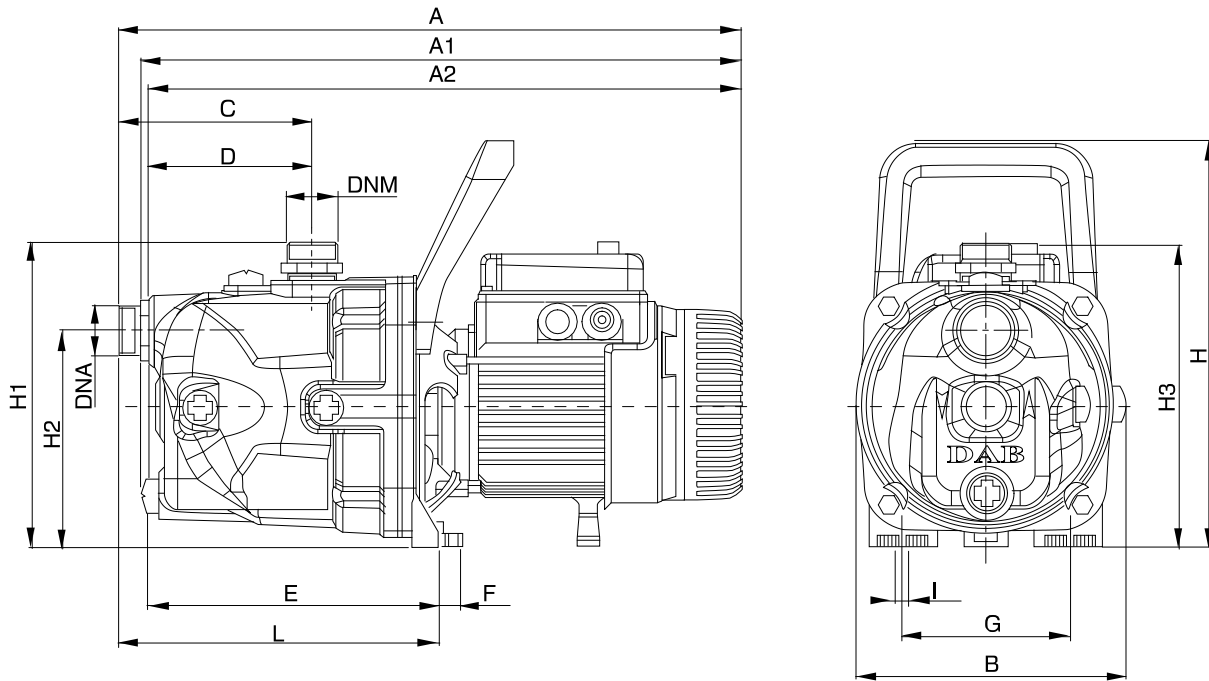
Suction side : 1 " G 8 bar (800 kPa)	Discharge side : 1 " G 8 bar (800 kPa)	Flow : 0 m³/h	Head : 0 m	Rated speed : 2850 rpm
Project	Project ID	Created by	Created on 24/03/2016	

Receiver

From

 Society
 Reference
 Address
 Phone
 Fax
 E-mail

GARDENJET 82 M


Dimensions in mm

1	A	410	G	111
2	A1	395	H	268
3	A2	390	H1	201
4	B	178	H2	144
5	C	127	H3	199
6	D	108	I	9
7	DNA	1" G	L	212
8	DNM	1" G		
9	E	192		
10	F	14		

Pump connection

Suction
 1" G
 8 bar (800 kPa)

Discharge
 1" G
 8 bar (800 kPa)

Project

Project ID

Created by

Created on

24/03/2016