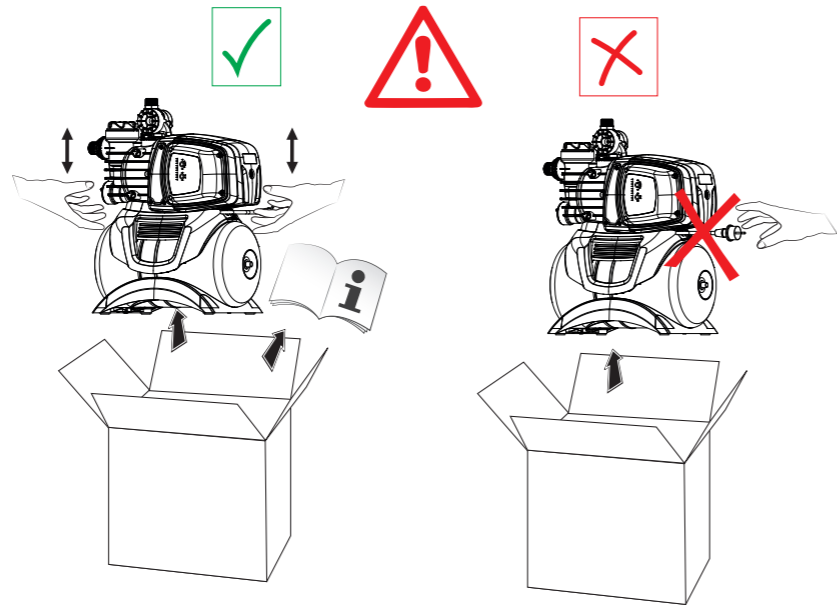
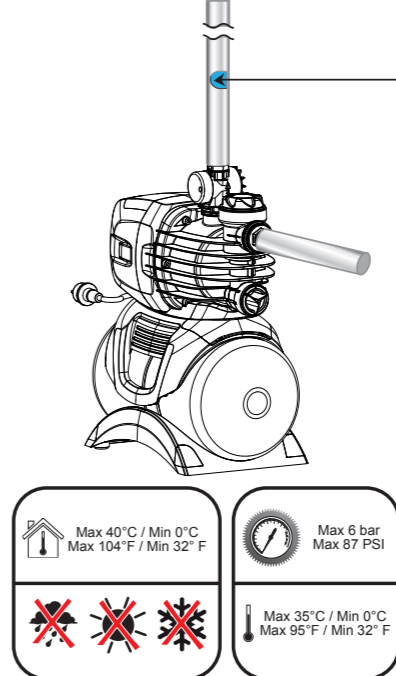
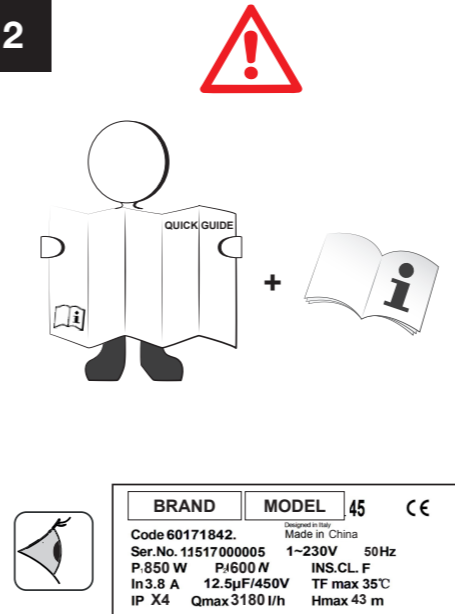


**QUICK GUIDE**

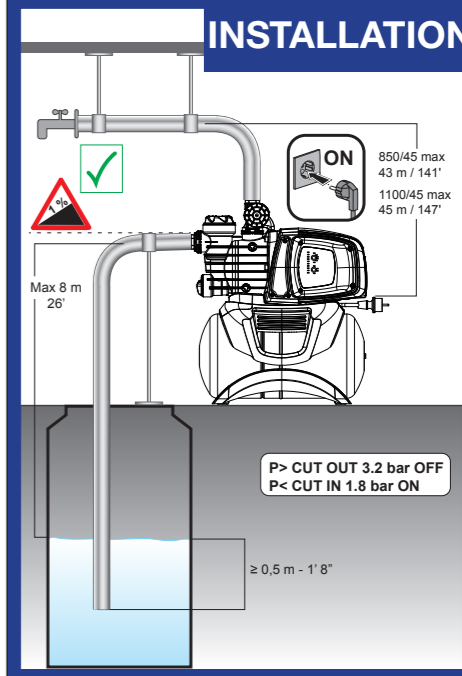
1



2

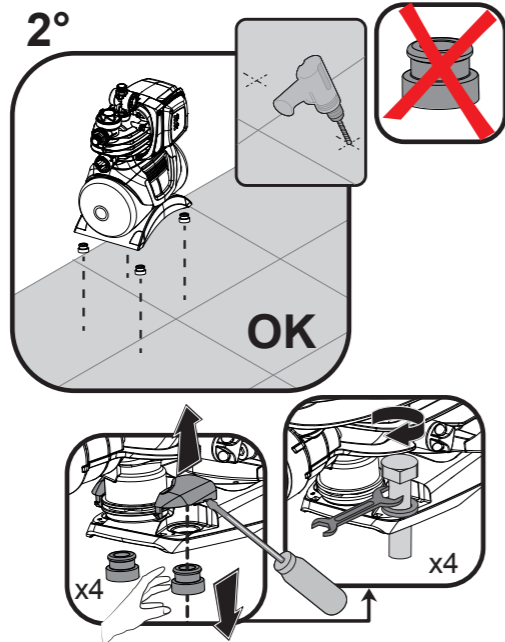
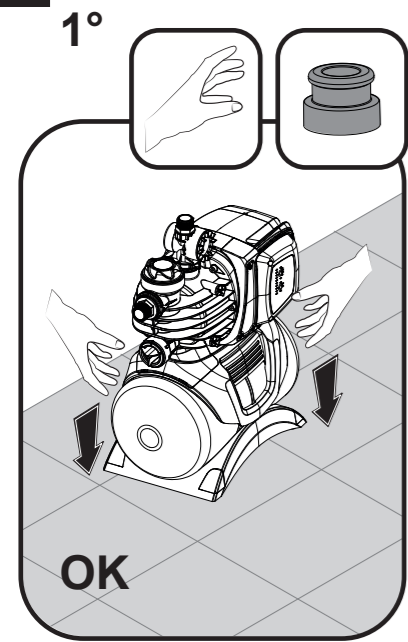


**INSTALLATION**

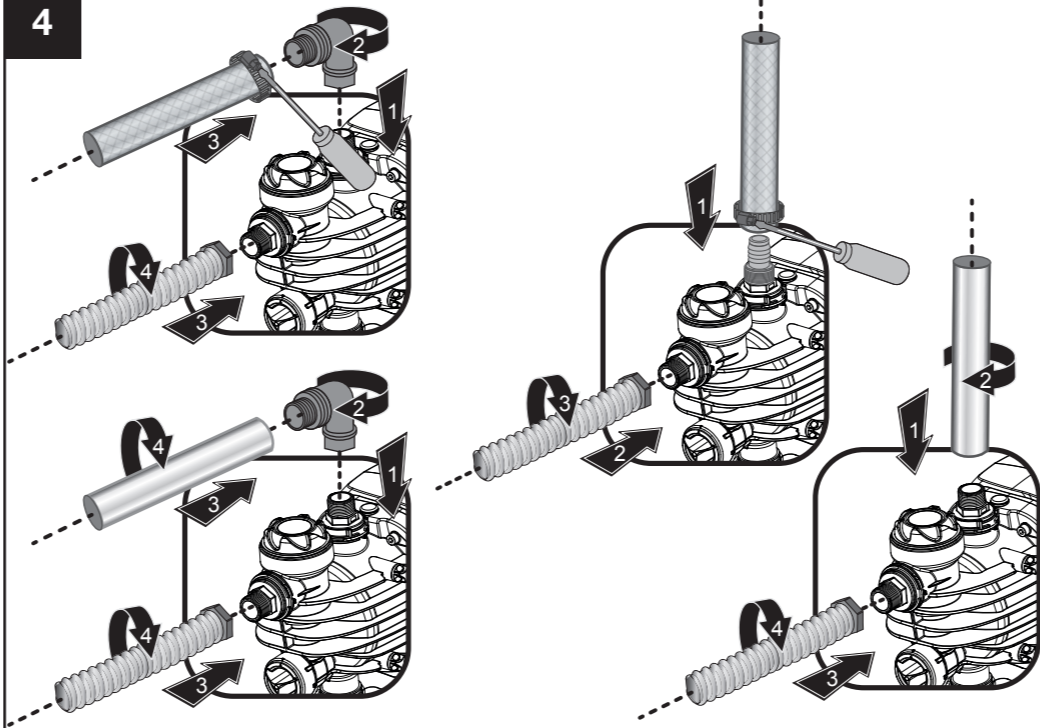


3

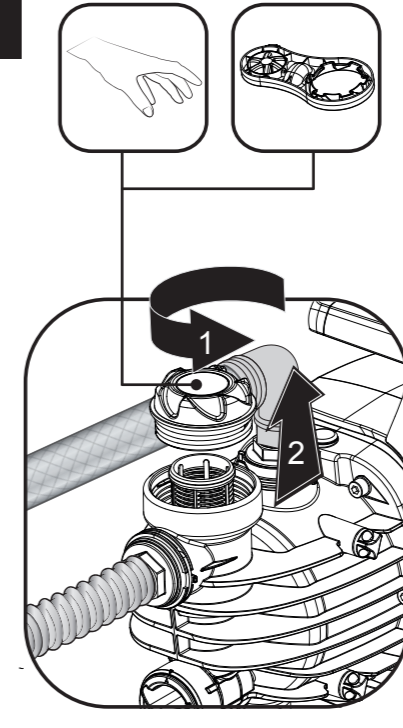
**INSTALLATION: 1° PORTABLE / 2° FIX**



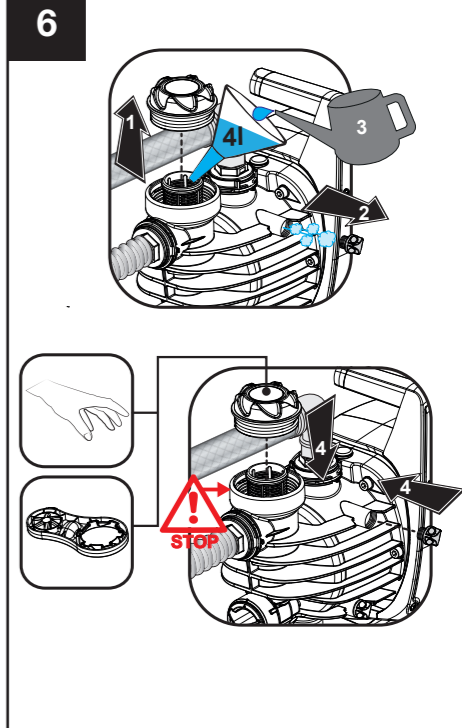
4



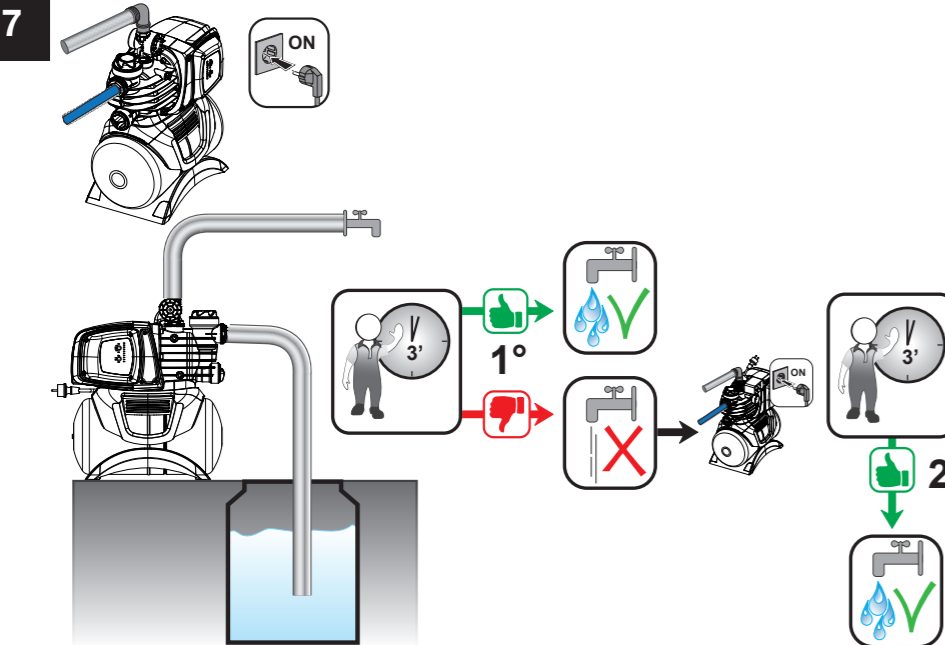
5



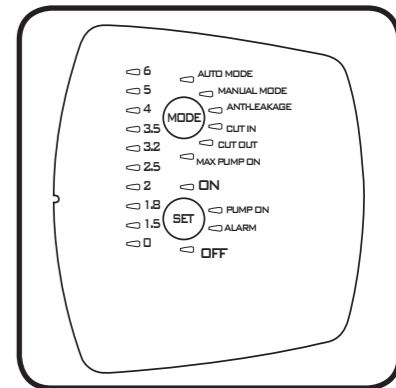
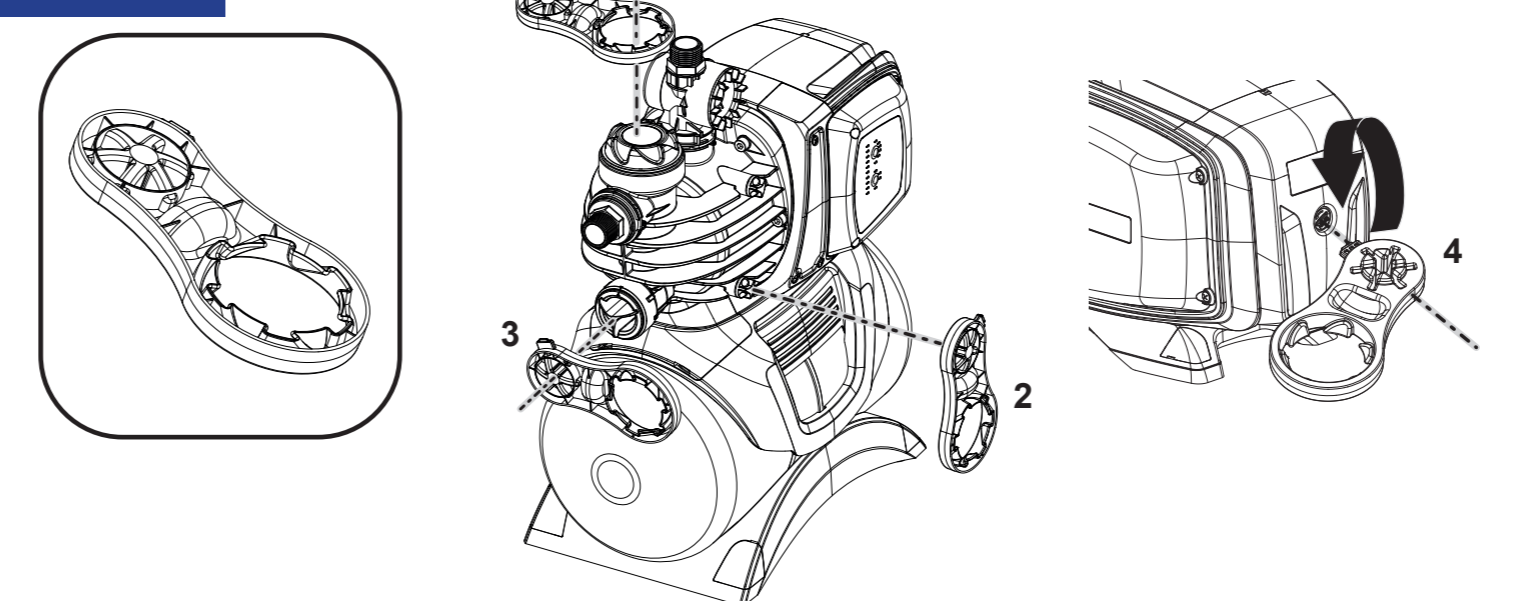
6



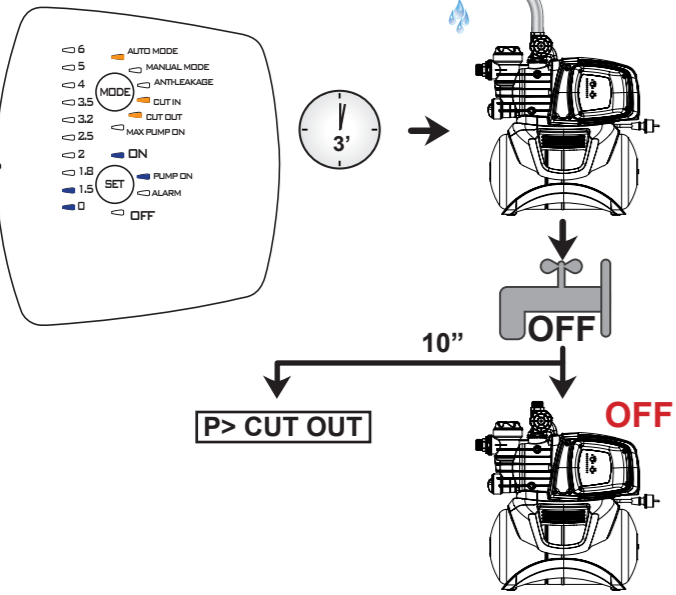
7



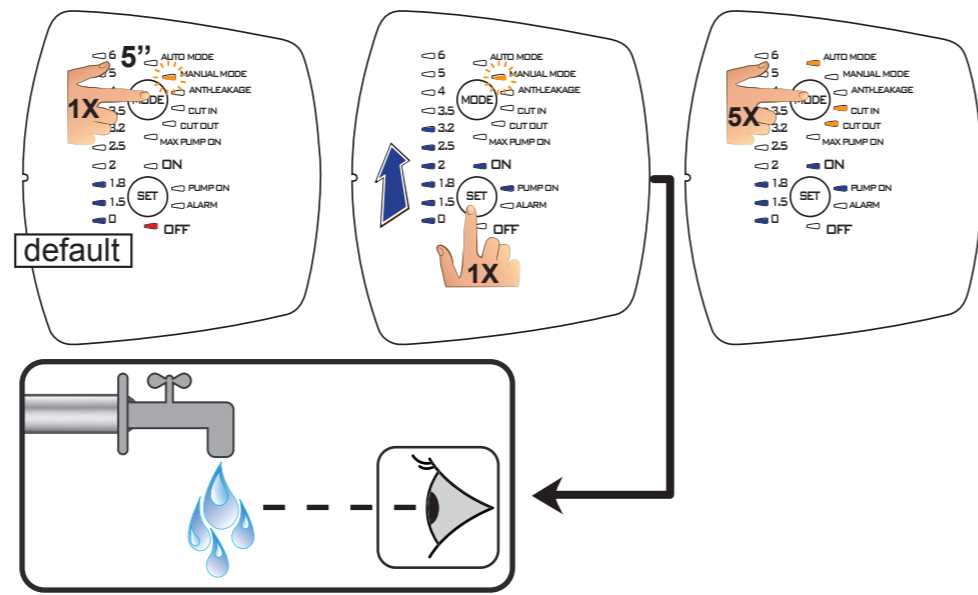
**OPENING**



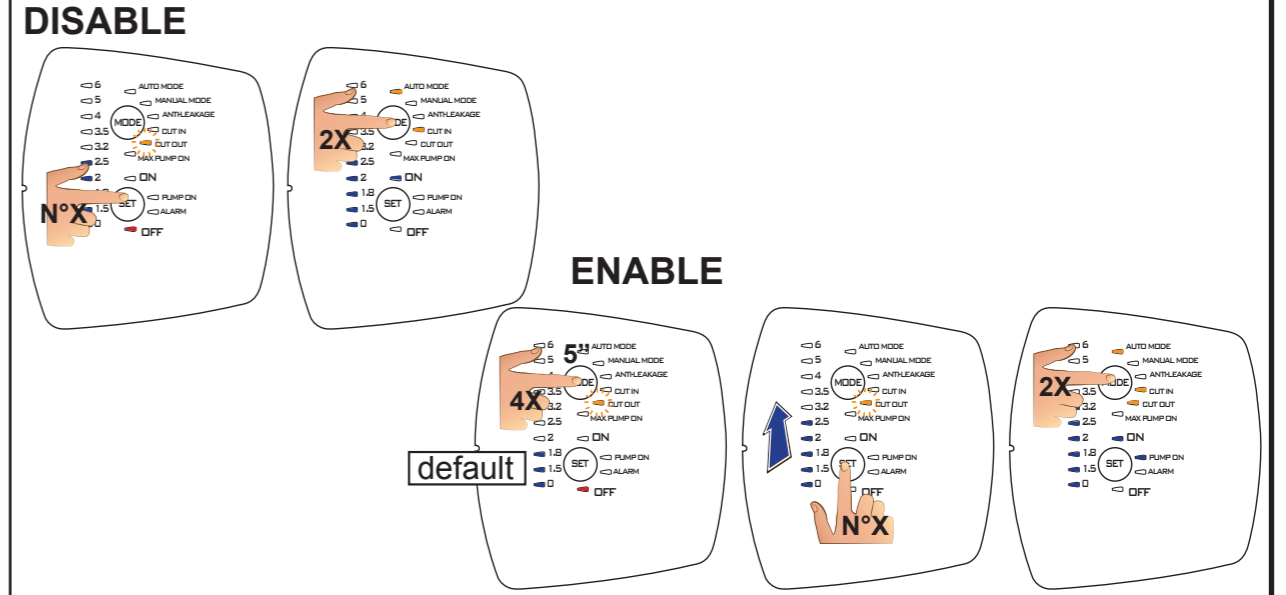
### DEFAULT- AUTO MODE



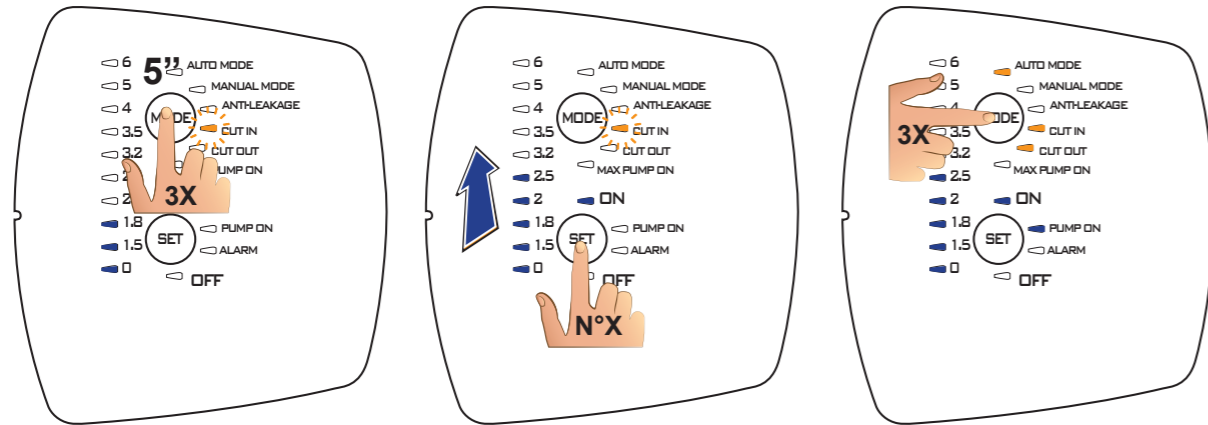
### MANUAL MODE



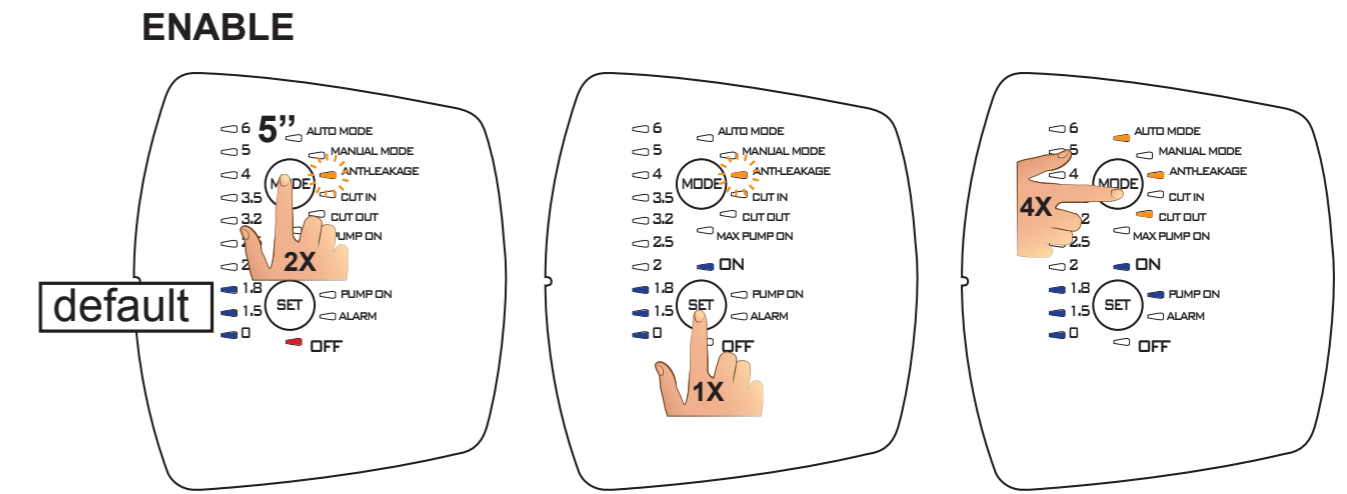
### CUT OUT default enable = 3.2 bar



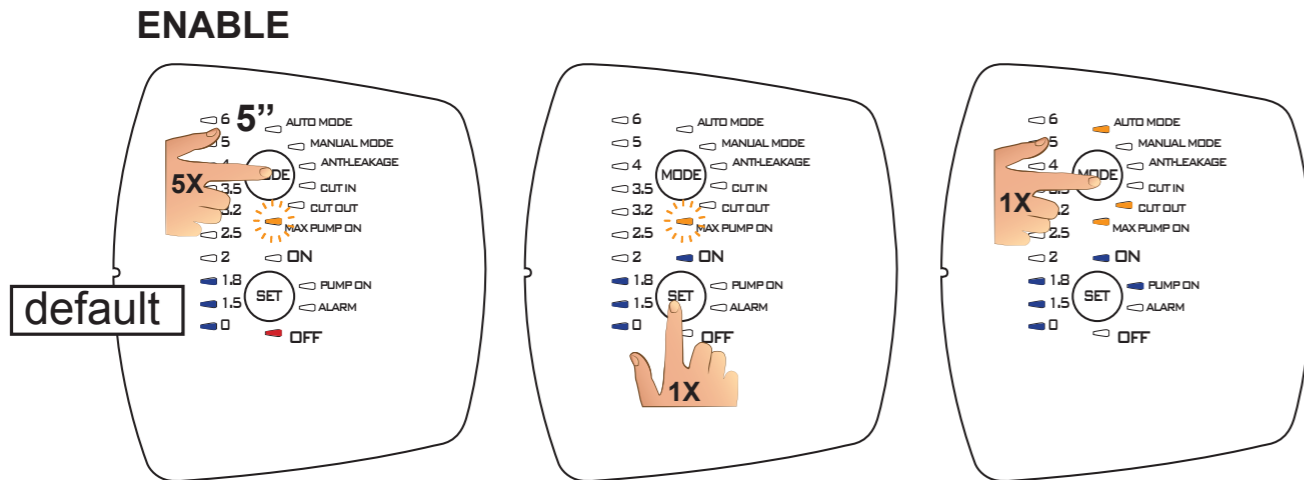
### CUT IN default= 1.8 bar



### ANTILEAKAGE default disable



### MAX PUMP ON default disable



### ALARM

