

Receiver

From

Company
Reference
Address
Phone
Fax
E-mail

Item no. 60203221
Customer pos. no.:

Model:
DIVERTEK 900 A

Pump data

Pressure rating :
Min. fluid temperature : 0 °C
Max. fluid temperature : 40 °C
Max. Temperature operating :

Requested data

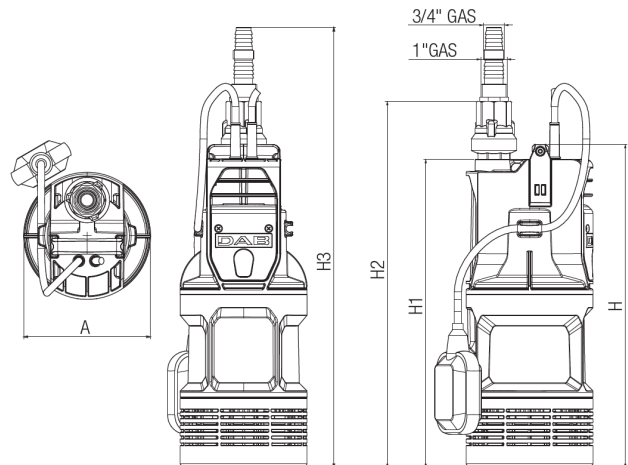
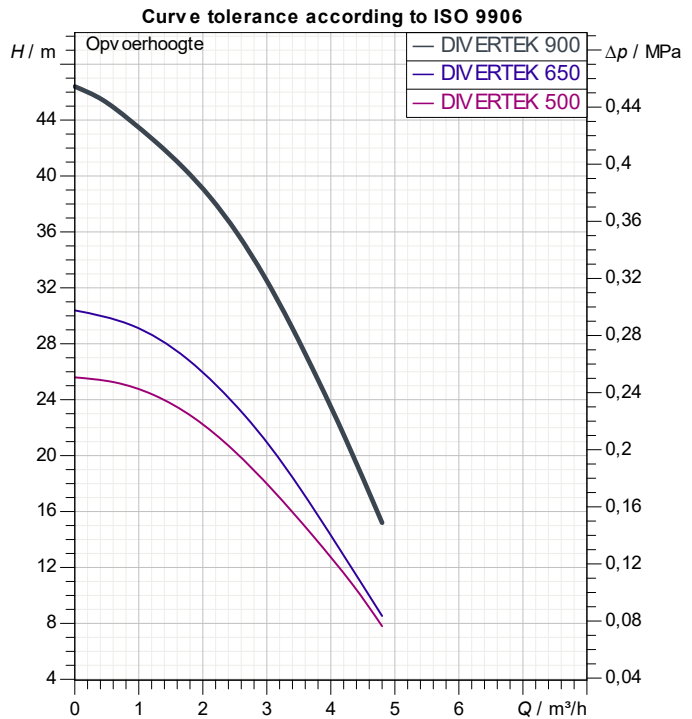
Flow :
Head :
Fluid : Water
Fluid Temperature : 20 °C
Density : 998,3 kg/m³
Kinematische viscositeit : 1,005 mm²/s
Dampspanning : 0,00234 MPa

Hydraulic data (duty point)

Flow :
Head :

Materials

Pomphuis : Technopolymer
Impeller : Technopolymer/AISI 304
Diffuser : Technopolymer
O-Ring : EPDM
Base : Technopolymer
Motor shaft : Stainless Steel AISI 416
Motor top body : Stainless Steel AISI 304



Motor data

Merk : DAB
Nominal power P2 : 0,56 kW
Rated voltage : 1~ 220-240 V
Nominal current : 4,2 A
Number of poles : 2
Rated speed : 2.800 1/min
Degree of protection : IP 68

Gewicht: 10,6 kg

Dimension mm

A	160				
H	455				
H1	436				
H2	509				
H3	602				

Pump connection

Suction side : /
Discharge side : 1" G / --



PERFORMANCE CURVES

12/07/24

Pagina 2 / 3

DAB PUMPS S.p.A.
Via Marco Polo, 14 - 35035 Mestrino (PD), Italy
Tel. +39 049 5125000 - Fax +39 049 5125950
www.dabpumps.com

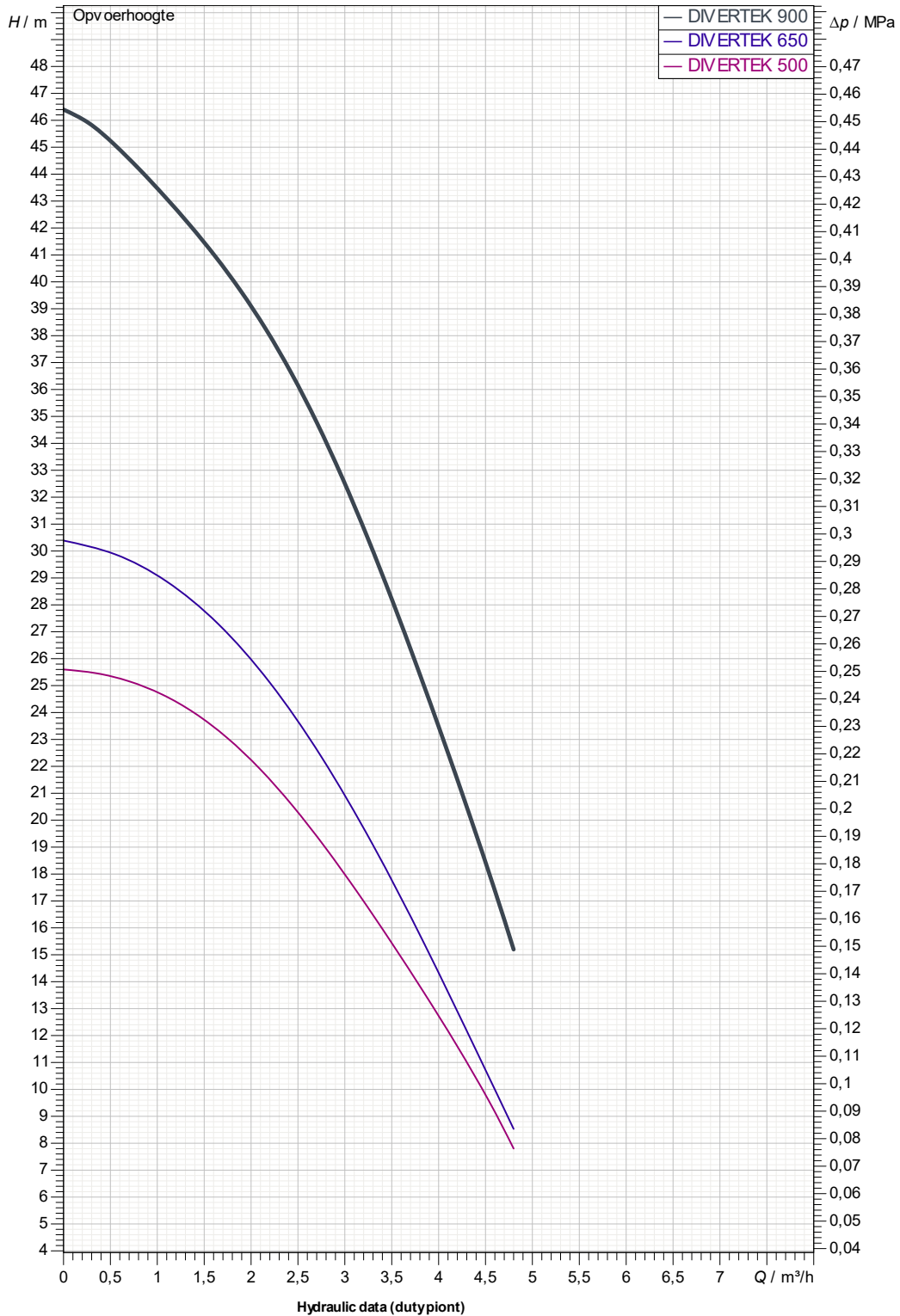
Receiver

From

Company
Reference
Address
Phone
Fax
E-mail

DIVERTEK 900 A

Curve tolerance according to ISO 9906



Suction side

Discharge side
1" G
--

Flow :

Head :

Rated speed:
2.800 1/min

MAIN_PROJECT_TITLE

BUSINESS_PROCESS_ID

OWNER_

ISSUE_DATE

12/07/24



DIMENSIONAL DRAWING

12/07/24

Pagina 3 / 3

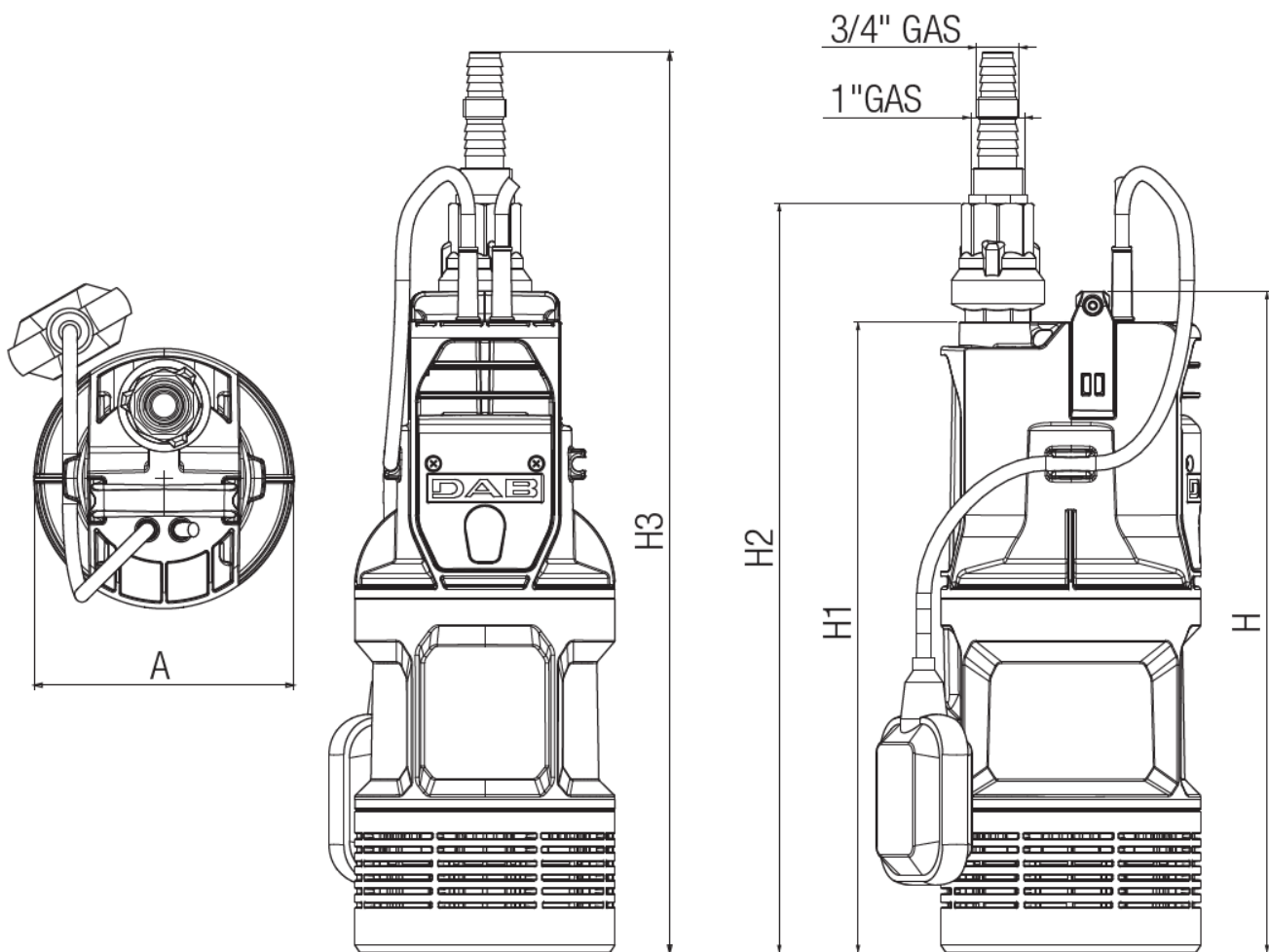
DAB PUMPS S.p.A.
Via Marco Polo, 14 - 35035 Mestrino (PD), Italy
Tel. +39 049 5125000 - Fax +39 049 5125950
www.dabpumps.com

Receiver

From

Company
Reference
Address
Phone
Fax
E-mail

DIVERTEK 900 A



Dimensions in mm			Pump connection	
1	A	160	Suction	
2	H	455		
3	H1	436		
4	H2	509		
5	H3	602		
6			Discharge	1" G
7				
8				
9				
10				
11				

MAIN_PROJECT_TITLE	BUSINESS_PROCESS_ID	OWNER_	ISSUE_DATE 12/07/24
--------------------	---------------------	--------	------------------------