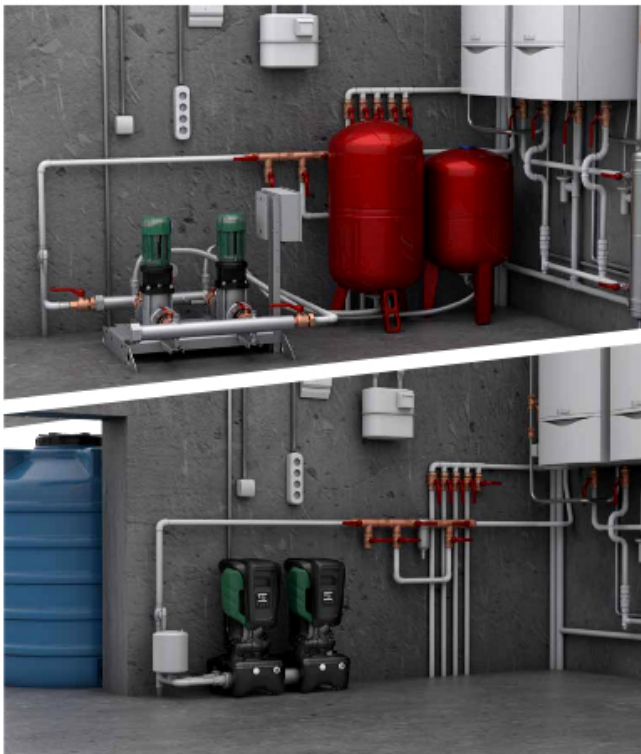


ENERGY SAVING

BEFORE

AFTER

- 20%
Compared with
traditional inverter pump



D+CONNECT
BUILT-IN



As quick as a "click"





PERFORMANCE CURVES

2024-05-30

Pagina 3 / 4

DAB PUMPS S.p.A.
Via Marco Polo, 14 - 35035 Mestrino (PD), Italy
Tel. +39 049 5125000 - Fax +39 049 5125950
www.dabpumps.com

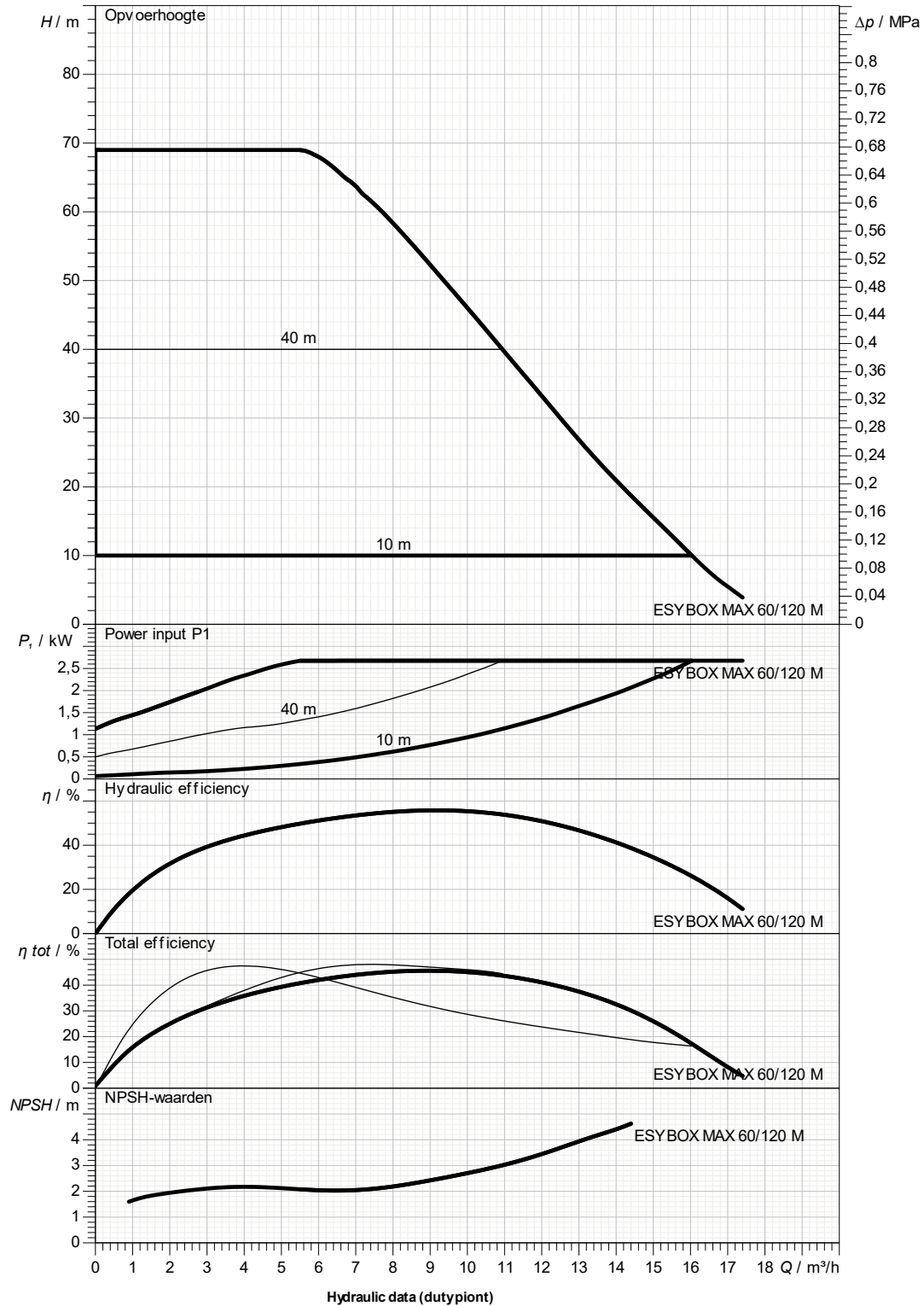
Receiver

From

Company
Reference
Address
Phone
Fax
E-mail

1 ESYBOX MAX 60/120 M

Curve tolerance according to ISO 9906



| | | | | |
|---|---|------------------|------------------------------------|-----------------------------|
| Suction side 1"1/4 - 2" G 1,2 MPa | Discharge side 1"1/4 - 2" G 1,2 MPa | Flow : | Head : | Rated speed: 5.240 1/min |
| Project | Projectnummer | Aangemaakt door: | Aangemaakt op 2024-05-30 | |



DIMENSIONAL DRAWING

2024-05-30

Pagina 4 / 4

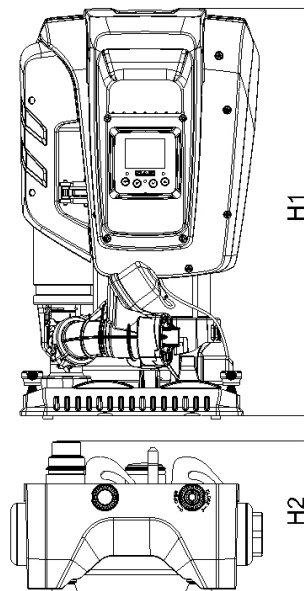
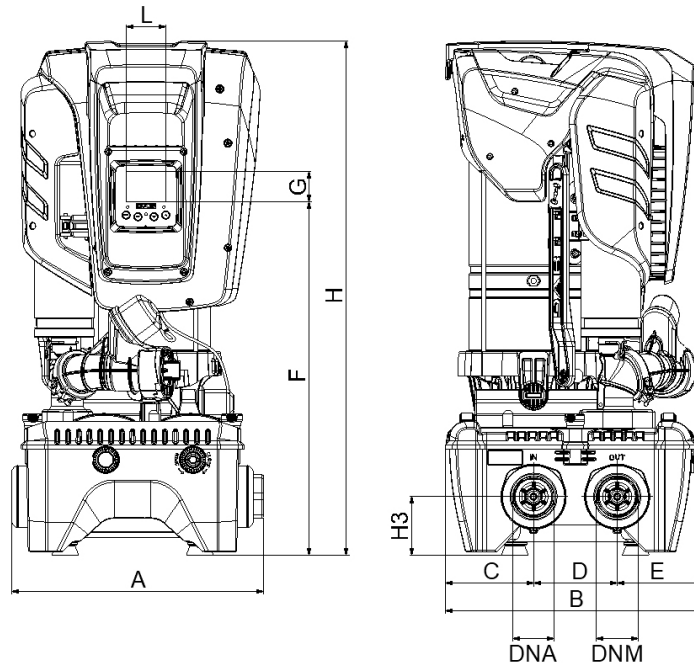
DAB PUMPS S.p.A.
Via Marco Polo, 14 - 35035 Mestrino (PD), Italy
Tel. +39 049 5125000 - Fax +39 049 5125950
www.dabpumps.com

Receiver

From

Company
Reference
Address
Phone
Fax
E-mail

1 ESYBOX MAX 60/120 M



Dimensions in mm

Pump connection

| | | | | | | | |
|----|-----|------------|----|------|--|--|--------------|
| 1 | A | 375 | H2 | 228 | | | |
| 2 | B | 384 | H3 | 87 | | | Suction |
| 3 | C | 131,8 | L | 59,5 | | | 1"1/4 - 2" G |
| 4 | D | 124,5 | | | | | 1,2 MPa |
| 5 | DNA | 1"1/4 - 2" | | | | | Discharge |
| 6 | DNM | 1"1/4 - 2" | | | | | 1"1/4 - 2" G |
| 7 | E | 127,7 | | | | | 1,2 MPa |
| 8 | F | 526 | | | | | |
| 9 | G | 45 | | | | | |
| 10 | H | 766 | | | | | |
| 11 | H1 | 613 | | | | | |

Project

Projectnummer

Aangemaakt door:

Aangemaakt op

2024-05-30