

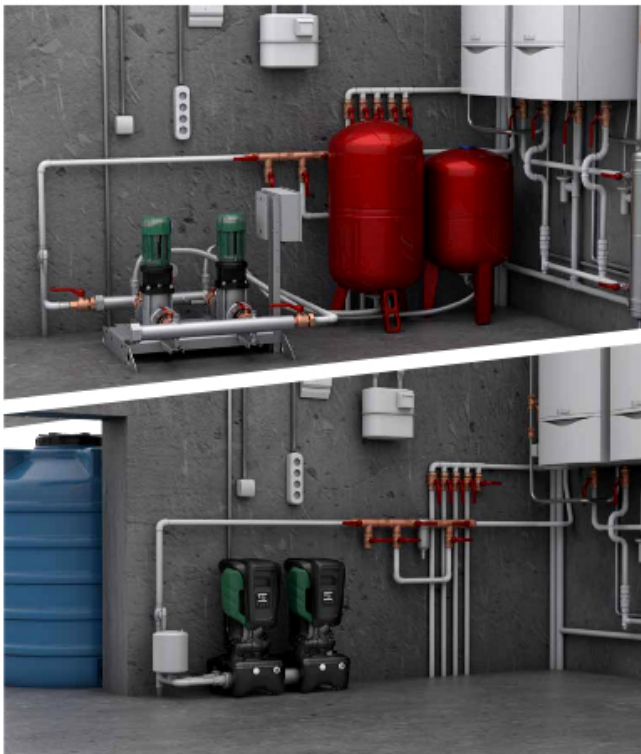


# ENERGY SAVING

BEFORE

AFTER

- 20%  
Compared with  
traditional inverter pump



**D+CONNECT**  
BUILT-IN



As quick as a "click"





# PERFORMANCE CURVES

2024-05-30

Pagina 3 / 4

DAB PUMPS S.p.A.  
Via Marco Polo, 14 - 35035 Mestrino (PD), Italy  
Tel. +39 049 5125000 - Fax +39 049 5125950  
www.dabpumps.com

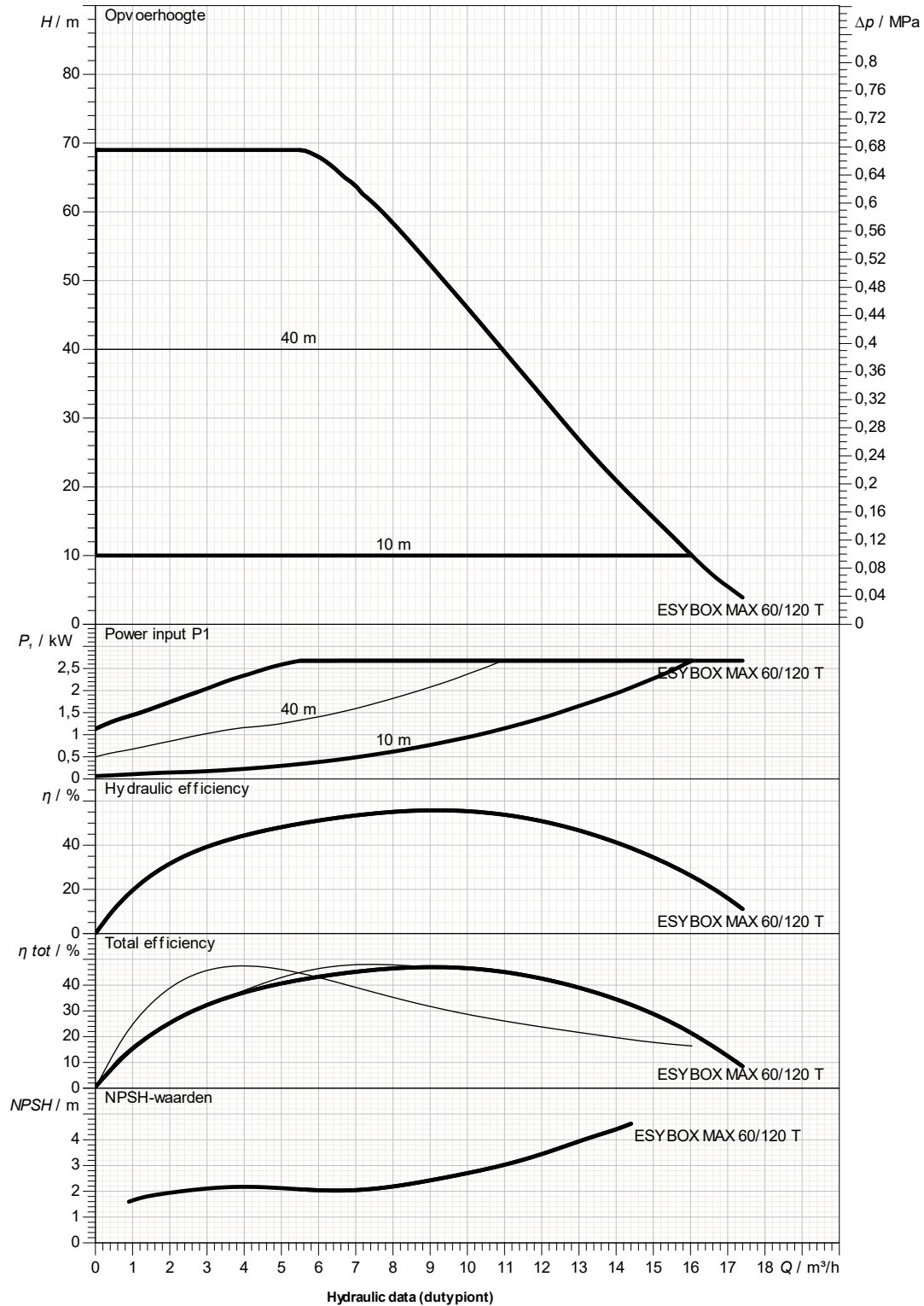
Receiver

From

Company  
Reference  
Address  
Phone  
Fax  
E-mail

## 1 ESYBOX MAX 60/120 T

Curve tolerance according to ISO 9906



Suction side  
1"1/4 - 2" G  
1,2 MPa

Discharge side  
1"1/4 - 2" G  
1,2 MPa

Flow :

Head :

Rated speed:  
5.240 1/min

Project

Projectnummer

Aangemaakt door:

Aangemaakt op

2024-05-30



# DIMENSIONAL DRAWING

DAB PUMPS S.p.A.  
Via Marco Polo, 14 - 35035 Mestrino (PD), Italy  
Tel. +39 049 5125000 - Fax +39 049 5125950  
www.dabpumps.com

2024-05-30

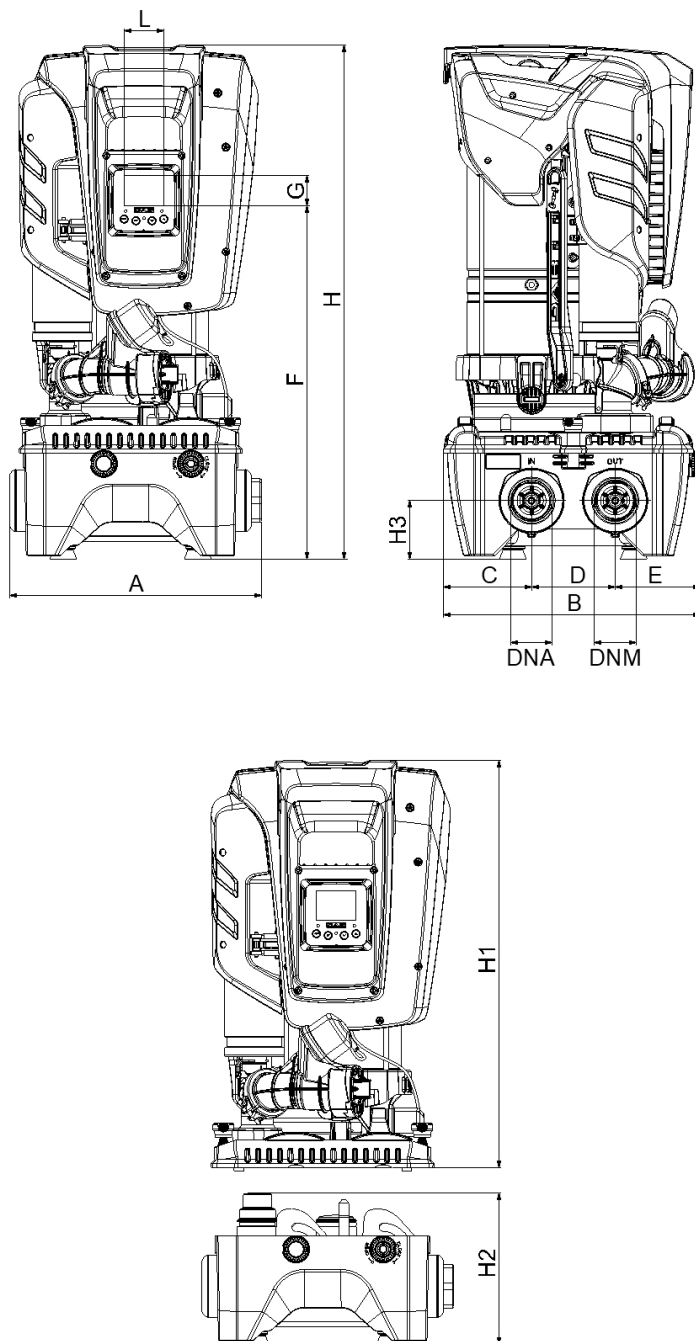
Pagina 4 / 4

Receiver

From

Company  
Reference  
Address  
Phone  
Fax  
E-mail

## 1 ESYBOX MAX 60/120 T



Dimensions in mm

Pump connection

1	A	375	H2	228			
2	B	384	H3	87			Suction
3	C	131,8	L	59,5			1"1/4 - 2" G
4	D	124,5					1,2 MPa
5	DNA	1"1/4 - 2"					Discharge
6	DNM	1"1/4 - 2"					1"1/4 - 2" G
7	E	127,7					1,2 MPa
8	F	526					
9	G	45					
10	H	766					
11	H1	613					

Project

Projectnummer

Aangemaakt door:

Aangemaakt op

**2024-05-30**