

SS - STAINLESS STEEL

SUBMERSIBLE PUMPS AND MOTORS





CERTIFICATE

IQNet and its partner
CISQ/IMQ-CSQ
hereby certify that the organization
DWT HOLDING SPA
VIA MARCO POLO 14 - 35035 MESTRINO (PD)
BRENDOLA (VI) - CASTELLO DI GODEGO (TV) - BIENTINA (PI) -
SAN GERMANO DEI BERICI (VI) - GESSATE (MI) -
PRC CHINA

for the following field of activities
Design, production, sale and assistance of components and electronic controls for pumps, electropumps, and pump sets for cold and hot water for civil, industrial and agricultural use
Refer to quality manual for details of applications to ISO 9001:2008 requirements

has implemented and maintains a
Quality Management System
which fulfills the requirements of the following standard

ISO 9001:2008

Issued on: 2013 - 09 - 23 Expiry date: 2015 - 06 - 15

Registration Number: IT - 824



Michael Drechsel
Michael Drechsel
President of IQNET



Ing. Claudio Provetti
Ing. Claudio Provetti
President of CISQ

IQNet Partners*:

AFNOR Spain AFNOR Certification France AIH-Vinopote International Belgium ANCI-SIGE Mexico APCIR Portugal CCC Cyprus
CISQ Italy CQC China CQM China CQS Czech Republic Cst Cert Croatia DQS Holding GmbH Germany DS Denmark
FCAV Brazil FONDONORMA Venezuela ICONTEL Colombia IMNC Mexico INNORPI Tunisia
Inspecta Certification Finland IRAM Argentina IQA Japan KFQ Korea MIRTEC Greece MSZT Hungary Nemko AS Norway
NSAI Ireland PCBC Poland Quality Austria Austria RR Russia SII Israel SIQ Slovenia SIRIM QAS International Malaysia
SQS Switzerland SRAC Romania TEST St. Petersburg Russia TSI Turkey YUQS Serbia
IQNet is represented in the USA by: AFNOR Certification, CISQ, DQS Holding GmbH and NSAI Inc.

* The list of IQNet partners is valid at the time of issue of this certificate. Updated information is available under: www.iqnet-certification.com

All. 1 di 1
Ann. 1 of 1



www.imq.it

ALLEGATO CERTIFICATO n. **9101.COGE**
ANNEX CERTIFICATE

(*) Unità Operative:
(*) Operative Units:

DAB PUMPS SPA
VIA BONANNO RISANO 1 - 56031 BIENTINA (PI)

TESLA SRL
VIA DEL LAVORO 3 - 36040 SAN GERMANO DEI BERICI (VI)

TESLA SRL
VIA BERGAMO 2 - 20060 GESSATE (MI)

DAB PUMPS QINGDAO CO. LTD.
40 KAITUO ROAD, QINGDAO DEVELOPMENT ZONE - SHANGDONG PROVINCE, PRC CHINA

DATE	PRIMA CERTIFICAZIONE FIRST CERTIFICATION	EMISSIONE CORRENTE CURRENT ISSUE	SCADENZA EXPIRY
	1995-07-17	2013-09-23	2015-06-15

Provetti
IMQ S.p.A. - VIA QUINTILIANO, 43 - 20138 MILANO



EA 18, 19

La validità del certificato è subordinata a rinnovata approvazione e resterà compromessa in caso di inadempienza del Sistema di Gestione del cliente. La validità
The validity of the certificate is subjected to annual audit and a re-approval of the whole Management System within three years

CISQ è la Federazione Italiana di
Organismi di Certificazione nei
sistemi di gestione aziendale.

CISQ is the Italian Federation
of management system
Certification Bodies.



www.cisq.com



www.imq.it

CERTIFICATO N.
CERTIFICATE N. **9101.COGE**

SI CERTIFICA CHE IL SISTEMA QUALITÀ DI
WE HEREBY CERTIFY THAT THE QUALITY SYSTEM OPERATED BY
DWT HOLDING SPA
VIA MARCO POLO 14 - 35035 MESTRINO (PD)

UNITÀ OPERATIVE
OPERATIVE UNITS
DAB PUMPS
VIA MARCO POLO 14 - 35035 MESTRINO (PD)
DAB PUMPS
VIA EINAUDI 2 - 36040 BRENDOLA (VI)
DAB PUMPS
VIA E. FERMI 6-8-10 - 31030 CASTELLO DI GODEGO (TV)

Vedere gli Allegati per le altre Unità Operative (n° 1 pagina)
View the Annexes for the other Operative Units (n° 1 page)

È CONFORME ALLA NORMA
IS IN COMPLIANCE WITH THE STANDARD
ISO 9001:2008

PER LE SEGUENTI ATTIVITÀ
FOR THE FOLLOWING ACTIVITIES

Progettazione, produzione, vendita e assistenza di componenti e controlli elettronici per pompe,
electropumps and pump sets for cold and hot water for civil, industrial and agricultural use
*Design, production, sale and assistance of components and electronic controls for pumps,
electropumps, and pump sets for cold and hot water for civil, industrial and agricultural use*

Riferirsi al manuale della qualità per l'applicabilità dei requisiti della norma ISO 9001:2008
Refer to quality manual for details of applications to ISO 9001:2008 requirements

IL PRESENTE CERTIFICATO È SOGGETTO AL RISPETTO DEL
REGOLAMENTO PER LA CERTIFICAZIONE DEI SISTEMI ORGANIZZATIVI
THE USE AND THE VALIDITY OF THE CERTIFICATE SHALL SATISFY THE
REQUIREMENTS OF THE RULES FOR CERTIFICATION OF MANAGEMENT SYSTEMS

DATE	PRIMA CERTIFICAZIONE FIRST CERTIFICATION	EMISSIONE CORRENTE CURRENT ISSUE	SCADENZA EXPIRY
	1995-07-17	2013-09-23	2015-06-15

Provetti
IMQ S.p.A. - VIA QUINTILIANO, 43 - 20138 MILANO



EA 18, 19

La validità del certificato è subordinata a rinnovata approvazione e resterà compromessa in caso di inadempienza del Sistema di Gestione del cliente. La validità
The validity of the certificate is subjected to annual audit and a re-approval of the whole Management System within three years

CISQ è la Federazione Italiana di
Organismi di Certificazione nei
sistemi di gestione aziendale.

CISQ is the Italian Federation
of management system
Certification Bodies.



www.cisq.com

6GF - 6GX

SUBMERSIBLE MOTOR 6"



Technical Specifications

Flange: NEMA 6"
insulation class: F
Degree of protection: IP68
Cooling flow min. 0.3 m/s 35° C
Voltage tolerance: + 6% / -10%
Max starts: 25/h
Max operating depth: 300 m
Horizontal operation: 5,5 HP - 50 HP

GENERAL DATA

6" Asynchronous two-poles submersible motor, made in AISI 304 stainless steel and cast iron with paint coating for parts in contact with water. Cooling and lubrication of the thrust bearing assembly and carbon bushes is provided by a mixture of water and glycol. Squirrel-cage rotor mounted on Kingsbury self-centring thrust bearing. Stator housed in an airtight stainless steel casing (canned-type). Removable cable connector to allow fast and easy maintenance. The cable is certified ACS, WRAS and KTW. Motor suitable for use with variable frequency drive (30 Hz-50/60 Hz). The motor is available in three-phase version with DOL or STAR-DELTA starting type. Overload protection must be provided by user. 6GX version made entirely in stainless steel AISI 316 with mechanical seal in silicon carbide. The motor can be equipped also with a PT100 temperature sensor.

COMPONENTS



Canned stator with external shell made in AISI 304L stainless steel and flangs with an anti-corrosion treatment. The stator has 24 slots for better elasticity and regularity of operation. Class H double insulated copper wire.



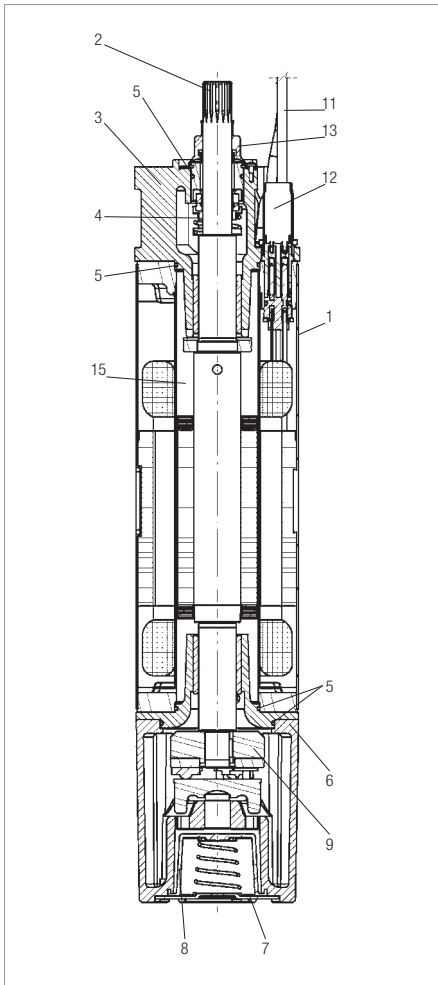
Kingsbury type thrust bearing unit consisting of tilting pads made of highly-resistant stainless steel and machined by Tesla using the spherical lapping process.
From 5,5 HP to 30 HP: 16000N
From 40 HP to 50 HP: 27000N



Shafts with end part made of stainless steel "Duplex". Squirrel-cage rotor made in copper for all motor powers.

6GF - 6GX

SUBMERSIBLE MOTOR 6"



MATERIALS

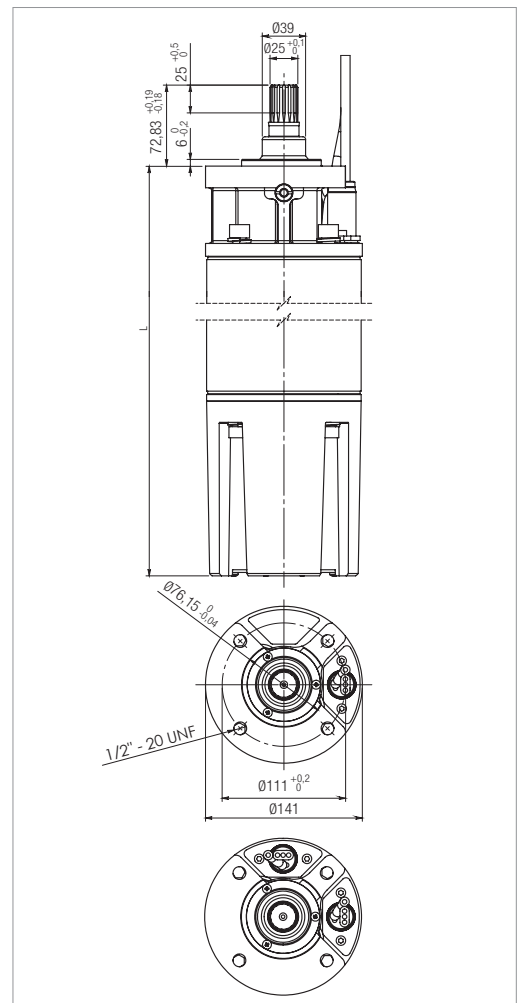
N°	COMPONENTS	VERSION 6GF	VERSION 6GX
1	INT. AND EXTERNAL SLEEVE	AISI 304L	AISI 316 TI
2	SHAFT END	DUPLEX	DUPLEX
3	UPPER BRACKET	PAINTED CAST IRON	AISI 316
4	MECHANICAL SEAL	CERAMIC - CARBON	SIC / SIC
5	GASKET	NBR	VITON
6	LOWER BRACKET	PAINTED CAST IRON	AISI 316
7	LOWER COVER	AISI 304	AISI 316
8	DIAPHRAGM	EPDM	EPDM
9	THRUST BEARING	STAINLESS STEEL - GRAPHITE	STAINLESS STEEL - GRAPHITE
10	VALVE	BRASS	AISI 316
11	CABLE	EPDM	EPDM
12	CONNECTING PLUG	AISI 316	AISI 316
13	SAND GUARD (FIXED-REMOVABLE)	NBR	EPDM
14	BOLTS & SCREWS	AISI 304	AISI 316
15	COOLING LIQUID	ANTIFREEZE + WATER	ANTIFREEZE + WATER

DIMENSION - SINGLE PHASE MOTORS

TYPE	P2		LENGTH mm	WEIGHT 6GF Kg	WEIGHT 6GX Kg	AXIAL THRUST N
	hp	kW				
50 Hz	5	3,7	660	45,2t	44	16000
	7,5	5,5	730	51,6	49,8	16000
	10	7,5	785	57,6	56,2	16000
	15	11	860	65,6	63,8	16000

DIMENSION - THREE PHASE MOTORS

TYPE	P2		LENGTH mm	WEIGHT 6GF Kg	WEIGHT 6GX Kg	AXIAL THRUST N
	hp	kW				
50 Hz	5,5	4	600	39,4	38	16000
	7,5	5,5	631	42,6	41	16000
	10	7,5	660	45,2	44	16000
	12,5	9,3	685	48,6	47	16000
	15	11	730	53	51,8	16000
	20	15	785	59	57,6	16000
	25	18,5	860	67	65,2	16000
	30	22	920	70,6	71,2	16000
	40	30	1050	86,8	85,2	27000
	50	37	1180	98,8	97,6	27000



SUBMERSIBLE MOTORS

ELECTRICAL DATA - THREE PHASE MOTORS

MODEL	P2		VOLTAGE 50Hz	In A	Is/In	P1 W	N min ⁻¹	Cos φ	η %	STARTING	CABLE	
	hp	kW									Ø mm ²	LC m
6GF/6GX - 4kW - 230V - T	5,5	4	230	18,3	4,0	5290	2845	0,75	76	Δ	4x4	4
6GF/6GX - 4kW - 400V - T			400	10,6	4,1	5290	2845	0,75	76	Y	4x4	4
6GF/6GX - 4kW - 415V - T			415	11	4,3	5500	2860	0,7	73	Y	4x4	4
6GF/6GX - 5,5kW - 230V - T	7,5	5,5	230	24,3	4,6	7270	2845	0,75	76	Δ	4x4	4
6GF/6GX - 5,5kW - 400V - T			400	14	4,6	7270	2845	0,75	76	Y	4x4	4
6GF/6GX - 5,5kW - 415V - T			415	14,6	4,8	7330	2860	0,71	73	Y	4x4	4
6GF/6GX - 7,5kW - 230V - T	10	7,5	230	31	4,1	9550	2840	0,78	78	Δ	4x4	4
6GF/6GX - 7,5kW - 400V - T			400	18	4,1	9550	2840	0,78	78	Y	4x4	4
6GF/6GX - 7,5kW - 415V - T			415	18,3	4,4	9700	2850	0,73	77	Y	4x4	4
6GF/6GX - 9,2kW - 230V - T	12,5	9,2	230	37,3	3,9	11460	2840	0,8	80	Δ	4x4	4
6GF/6GX - 9,2kW - 400V - T			400	22	3,9	11460	2840	0,8	80	Y	4x4	4
6GF/6GX - 9,2kW - 415V - T			415	22,8	4,2	11600	2850	0,79	79	Y	4x4	4
6GF/6GS/6GX - 11kW - 230V - T	15	11	230	44,2	4,4	13860	2840	0,82	79	Δ	4x6	4
6GF/6GX - 11kW - 400V - T			400	25,5	4,4	13860	2840	0,82	79	Y	4x4	4
6GF/6GX - 11kW - 415V - T			415	26	4,8	14100	2845	0,79	78	Y	4x4	4
6GF/6GX - 15kW - 230V - T	20	15	230	56	4,8	17960	2840	0,8	83	Δ	4x6	4
6GF/6GX - 15kW - 400V - T			400	33,4	4,8	17960	2840	0,8	83	Y	4x4	4
6GF/6GX - 15kW - 415V - T			415	34,2	5,0	18200	2850	0,76	82	Y	4x4	4
6GF/6GX - 18,5kW - 230V - T	25	18,5	230	71	5,2	22300	2845	0,8	83	Δ	4x8	4
6GF/6GX - 18,5kW - 400V - T			400	41	5,2	22300	2845	0,8	83	Y	4x6	4
6GF/6GX - 18,5kW - 415V - T			415	42	5,5	22450	2855	0,73	82	Y	4x4	4
6GF/6GX - 22kW - 230V - T	30	22	230	81,4	5,1	26500	2825	0,84	83	Δ	4x8	4
6GF/6GX - 22kW - 400V - T			400	47	5,1	26500	2825	0,84	83	Y	4x6	4
6GF/6GX - 22kW - 415V - T			415	47,5	5,4	26850	2835	0,80	82	Y	4x4	4
6GF/6GX - 30kW - 400V - T	40	30	400	61,5	4,6	35130	2830	0,85	85	Y	4x8	4
6GF/6GX - 30kW - 415V - T			415	63,5	4,7	35600	2840	0,8	84	Y	4x8	4
6GF/6GX - 37kW - 400V - T	50	37	400	79,3	3,7	44200	2830	0,84	82	Y	4x8	4
6GF/6GX - 37kW - 415V - T			415	80	3,9	44200	2840	0,80	81	Y	4x8	4

P2: Rated Output
V: Rated Voltage
In: Rated Current
Is/In: Locked rotor current/Rated current
P1: Power Consumption

N: Revolution per minute- R.p.m
Cos φ: Power Factor
η: Efficiency
Ø: Cable Section
LC: Cable Length