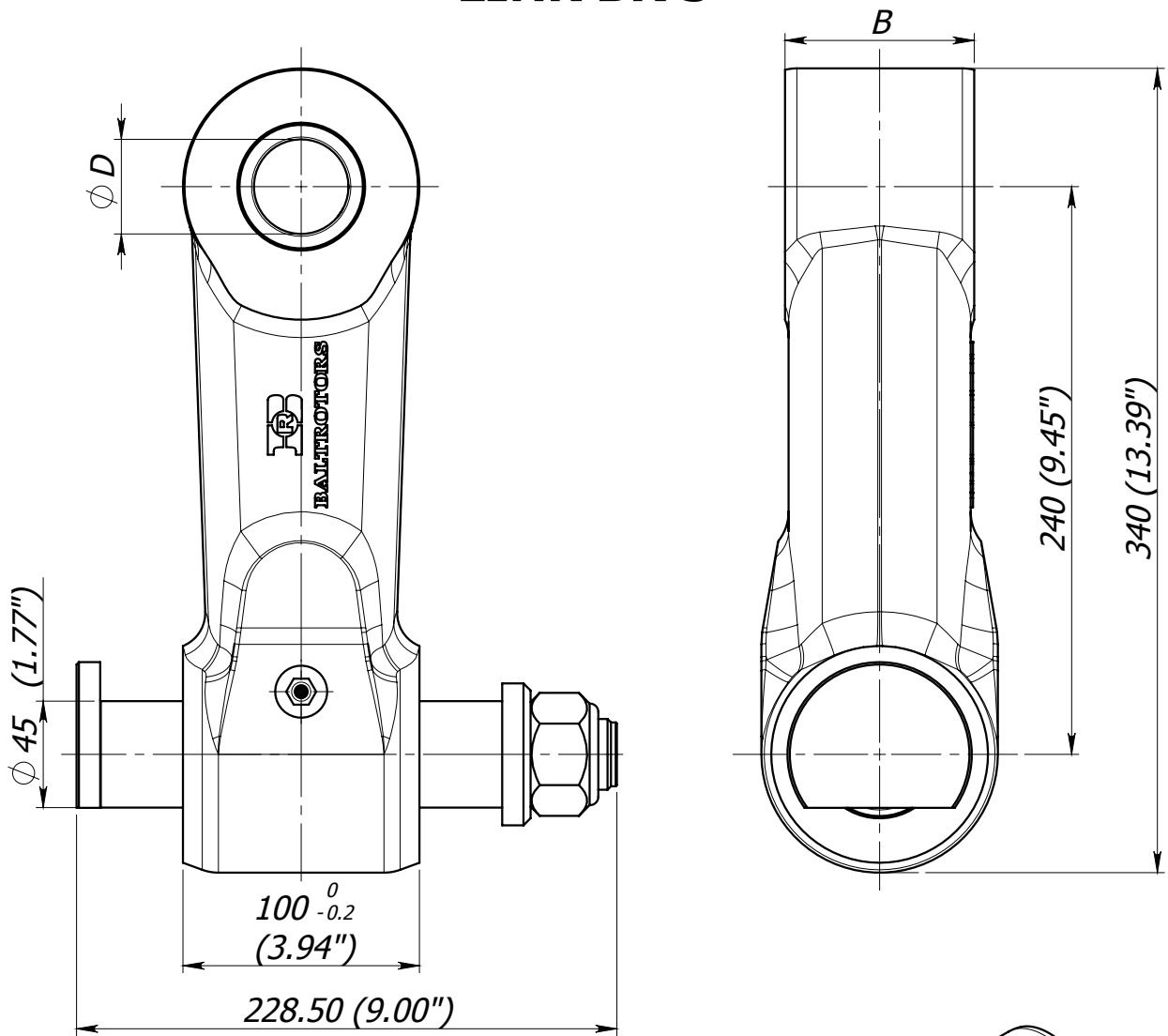
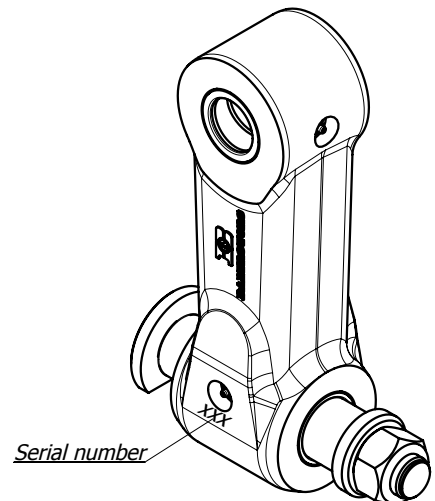


LINK BR 3



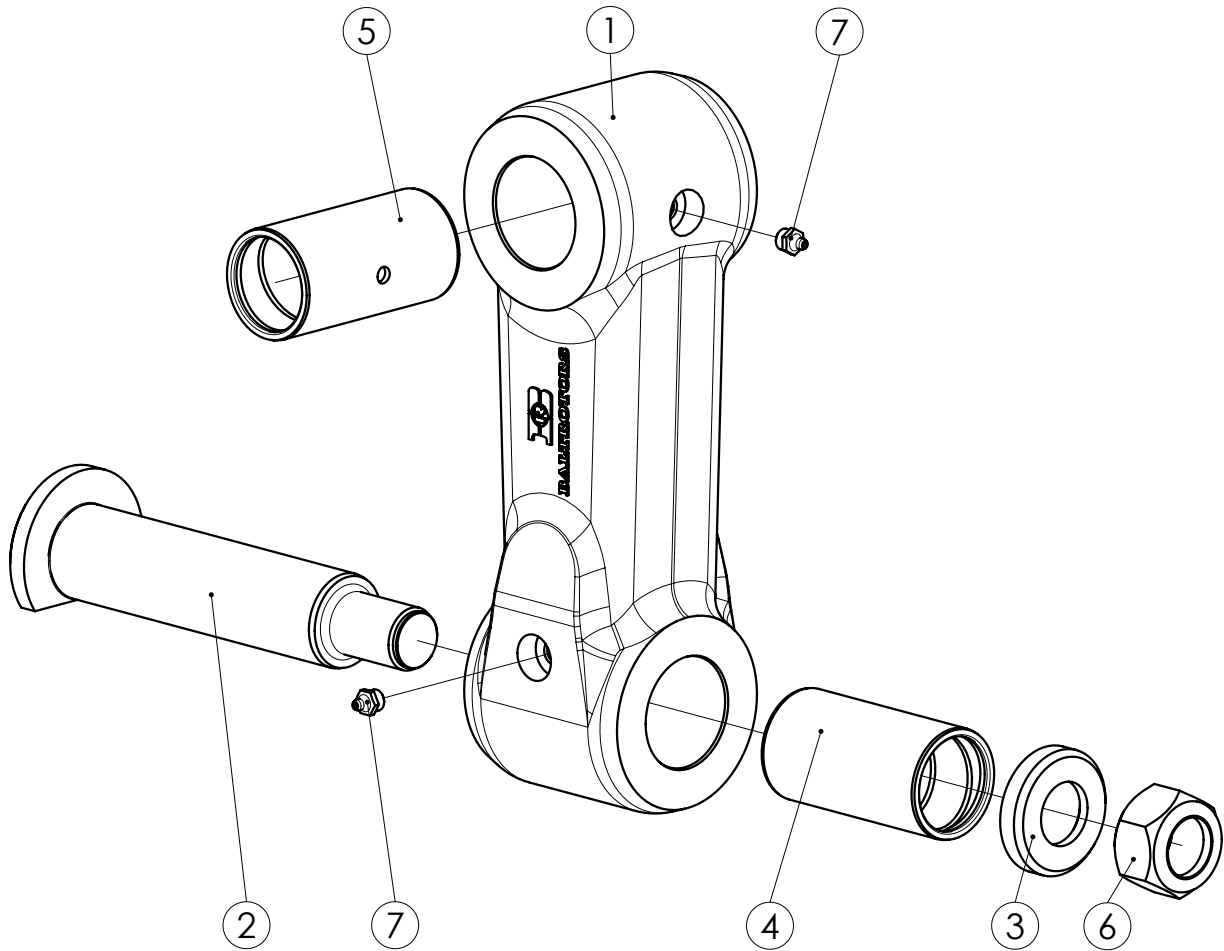
Dimensions		
Crane nose pivot pin diameter ϕD (mm)	Link width B (mm)	
		$80^{0}_{-0.2}$ (3.15")
50 (1.97")	BR 3-80/50	BR 3/50
45 (1.77")	BR 3-80/45	BR 3/45
40 (1.57")	BR 3-80/40	BR 3/40
35 (1.38")	BR 3-80/35	BR 3/35
30 (1.18")	BR 3-80/30	-



- * Pin locking nut is tightened with a torque of 120 Nm (89 lb ft)
- * Weight - 20.5 ± 1 kg (44.09 \pm 2.20 lb)
- * Fill grease Starplex EP 2, through lubricating nipple (pos. 7), until it will appear to the external surfaces. Greasing must be repeated after every 8 working hours of the link.

LINK BR 3

List of parts



Pos.	Part No.	Description	BR 3/50	BR 3/45	BR 3/40	BR 3/35	BR 3-80/50	BR 3-80/45	BR 3-80/40	BR 3-80/35	BR 3-80/30
1	BR 3.001-02	Link	1	-	-	-	-	-	-	-	-
	BR 3.001-01		-	1	1	1	-	-	-	-	-
	BR 3.80.001-01		-	-	-	-	1	-	-	-	-
	BR 3-80.001		-	-	-	-	-	1	1	1	1
2	BR 3.002	Pin	1	1	1	1	1	1	1	1	
3	BR 2.003	Washer	1	1	1	1	1	1	1	1	
4	BR 3.004-02	Steel bushing	1	1	1	1	1	1	1	1	
5	BR 3.004-04	Steel bushing	1	-	-	-	-	-	-	-	-
	BR 3.004-02		-	1	-	-	-	-	-	-	-
	BR 3.004-01		-	-	1	-	-	-	-	-	-
	BR 3.004		-	-	-	1	-	-	-	-	-
	BR 3.004-05		-	-	-	-	1	-	-	-	-
	BR 2.004-03		-	-	-	-	-	1	-	-	-
	BR 2.004-02		-	-	-	-	-	-	1	-	-
	BR 2.004-01		-	-	-	-	-	-	-	1	-
6	M30x1.5	Nut	1	1	1	1	1	1	1	1	
7	1.2.C6	Grease nipple	2	2	2	2	2	2	2	2	