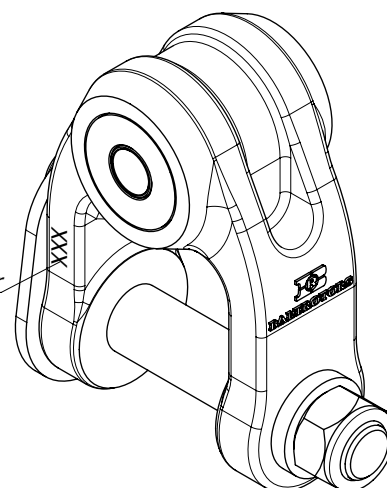
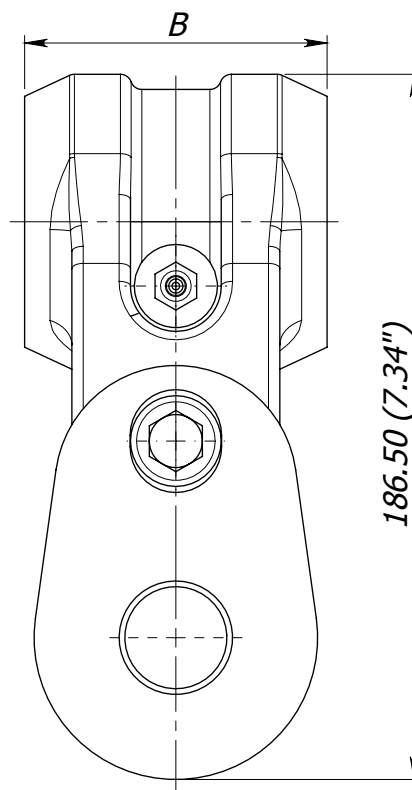
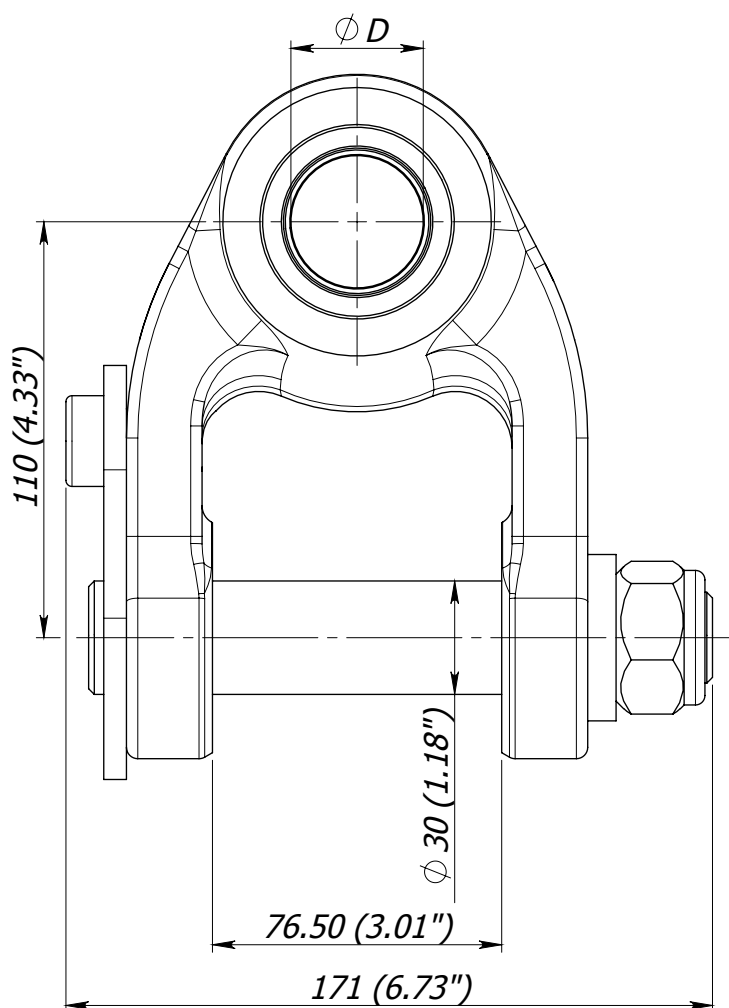


LINK BR 1-A

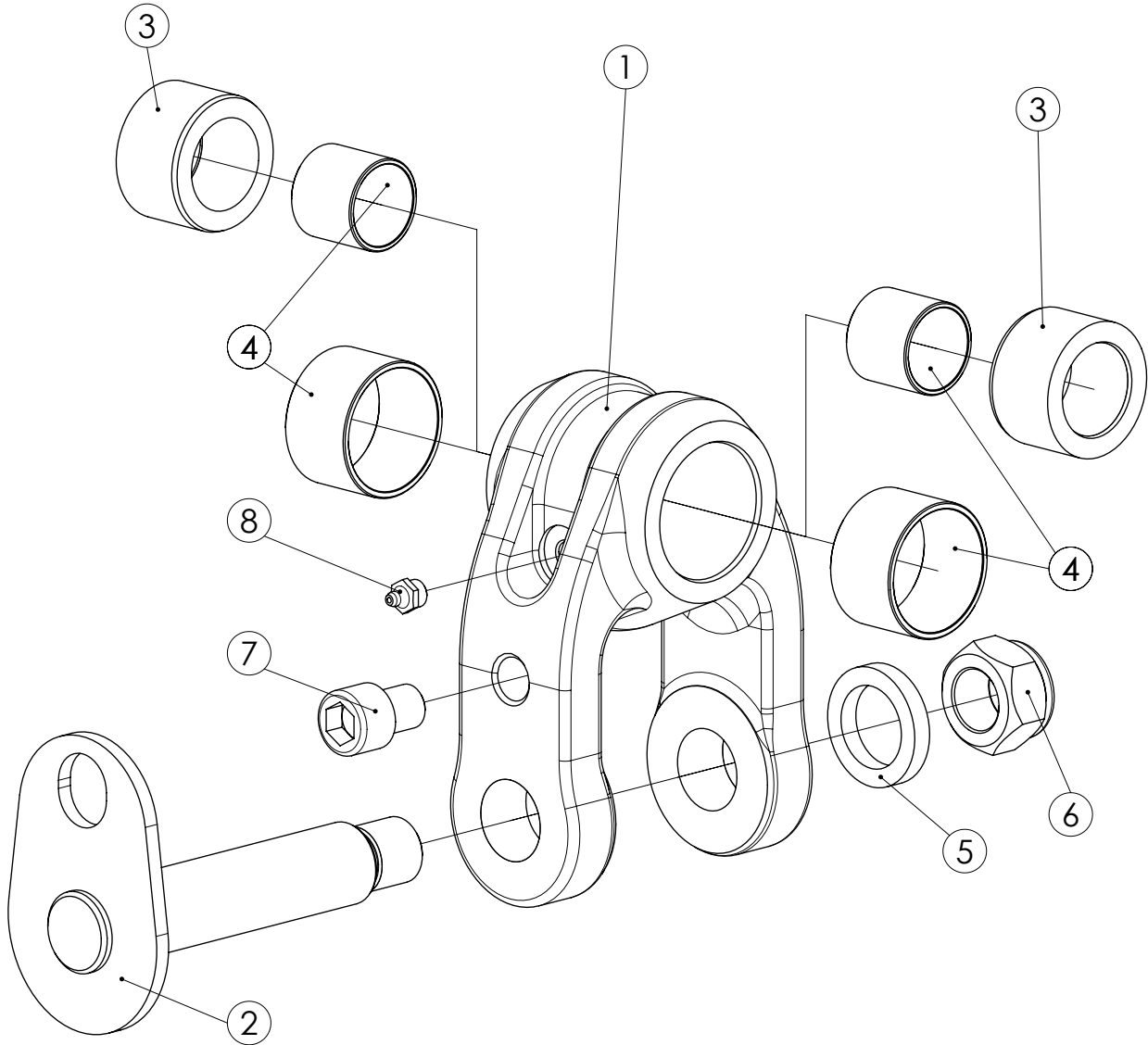


Dimensions			
Crane nose pivot pin diameter $\varnothing D$ (mm)	Link width B (mm)		
	80 ⁰ _{-0.3} (3.15")	70 ⁰ _{-0.3} (2.76")	60 ⁰ _{-0.3} (2.36")
45 (1.77")	BR 1-A/80/45	BR 1-A/70/45	BR 1-A/60/45
40 (1.57")	BR 1-A/80/40	BR 1-A/70/40	BR 1-A/60/40
35 (1.38")	BR 1-A/80/35	BR 1-A/70/35	BR 1-A/60/35
30 (1.18")	BR 1-A/80/30	BR 1-A/70/30	BR 1-A/60/30
25 (0.98")	BR 1-A/80/25	BR 1-A/70/25	BR 1-A/60/25
20 (0.79")	BR 1-A/80/20	BR 1-A/70/20	BR 1-A/60/20

- Pin locking nut is tightened with a torque of 120 Nm (89 lb ft)
- Weight - 5.5±1 kg (12.12±2.20 lb)
- Fill grease Starplex EP 2, through lubricating nipple (pos. 8), until it will appear to the external surfaces. Greasing must be repeated after every 8 working hours of the link.

LINK BR 1-A

List of parts



LINK BR 1-A

List of parts

Pos.	Part No.	Description	BR 1-A/80/45	BR 1-A/80/40	BR 1-A/80/35	BR 1-A/80/30	BR 1-A/80/25	BR 1-A/80/20	BR 1-A/70/45	BR 1-A/70/40	BR 1-A/70/35	BR 1-A/70/30	BR 1-A/70/25	BR 1-A/70/20	BR 1-A/60/45	BR 1-A/60/40	BR 1-A/60/35	BR 1-A/60/30	BR 1-A/60/25	BR 1-A/60/20	Notes
1	BR1-A.001-80	Link	1	1	1	1	1	1	-	-	-	-	-	-	-	-	-	-	-	-	
	BR1-A.001-70		-	-	-	-	-	-	1	1	1	1	1	1	-	-	-	-	-	-	
	BR1-A.001-60		-	-	-	-	-	-	-	-	-	-	-	-	1	1	1	1	1	1	
2	BR 1-A.01	Pin	1	1	1	1	1	1	1	1	1	1	1	1	1	1	1	1	1		
3	BR 1.02.001/70/40	Bushing	-	2	-	-	-	-	-	2	-	-	-	-	-	-	-	-	-		
	BR 1.02.001/70/35		-	-	2	-	-	-	-	2	-	-	-	-	-	-	-	-	-		
	BR 1.02.001/70/30		-	-	-	2	-	-	-	-	2	-	-	-	-	-	-	-	-		
	BR 1.02.001/70/25		-	-	-	-	2	-	-	-	-	2	-	-	-	-	-	-	-		
	BR 1.02.001/70/20		-	-	-	-	-	2	-	-	-	-	2	-	-	-	-	-	-		
	BR 1.02.001/60/40		-	-	-	-	-	-	-	-	-	-	-	-	-	2	-	-	-		
	BR 1.02.001/60/35		-	-	-	-	-	-	-	-	-	-	-	-	-	-	2	-	-		
	BR 1.02.001/60/30		-	-	-	-	-	-	-	-	-	-	-	-	-	-	-	2	-		
	BR 1.02.001/60/25		-	-	-	-	-	-	-	-	-	-	-	-	-	-	-	-	2	-	
	BR 1.02.001/60/20		-	-	-	-	-	-	-	-	-	-	-	-	-	-	-	-	-	2	
4	WB 800 4530	Bronze bushing	2	-	-	-	-	-	2	-	-	-	-	-	-	-	-	-	-		
	WB 800 4030		-	2	-	-	-	-	2	-	-	-	-	-	-	-	-	-	-		
	WB 800 3530		-	-	2	-	-	-	-	-	2	-	-	-	-	-	-	-	-		
	WB 800 3030		-	-	-	2	-	-	-	-	-	2	-	-	-	-	-	-	-		
	WB 800 2530		-	-	-	-	2	-	-	-	-	-	2	-	-	-	-	-	-		
	WB 800 2020		-	-	-	-	-	2	-	-	-	-	-	2	-	-	-	-	2		
	BR 1.02.002/60/45		-	-	-	-	-	-	-	-	-	-	-	-	2	-	-	-	-		
	BR 1.02.002/60/40		-	-	-	-	-	-	-	-	-	-	-	-	-	2	-	-	-		
	BR 1.02.002/60/35		-	-	-	-	-	-	-	-	-	-	-	-	-	-	2	-	-		
	BR 1.02.002/60/30		-	-	-	-	-	-	-	-	-	-	-	-	-	-	-	2	-		
	BR 1.02.002/60/25		-	-	-	-	-	-	-	-	-	-	-	-	-	-	-	-	2		
5	BR 1-A.003	Washer	1	1	1	1	1	1	1	1	1	1	1	1	1	1	1	1	1		
6	M24x1.5	Nut	1	1	1	1	1	1	1	1	1	1	1	1	1	1	1	1	1		
7	MC6S 12.9 M16x20	Screw	1	1	1	1	1	1	1	1	1	1	1	1	1	1	1	1	1		
8	1.2.C6	Grease nipple	1	1	1	1	1	1	1	1	1	1	1	1	1	1	1	1	1		

2007.10.05. Sheet 3 of 3