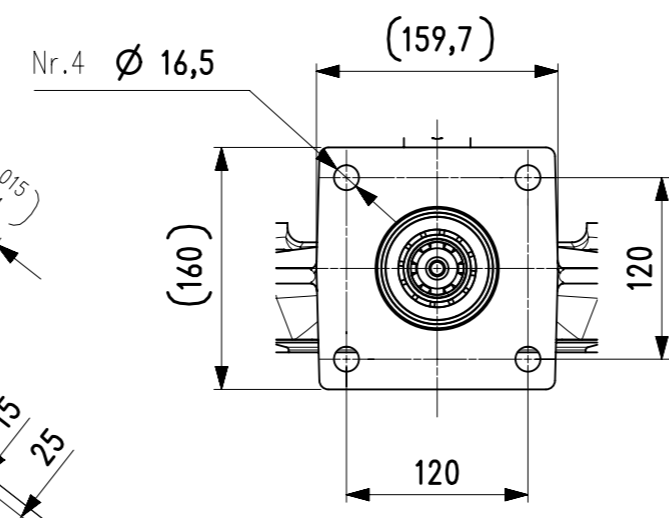
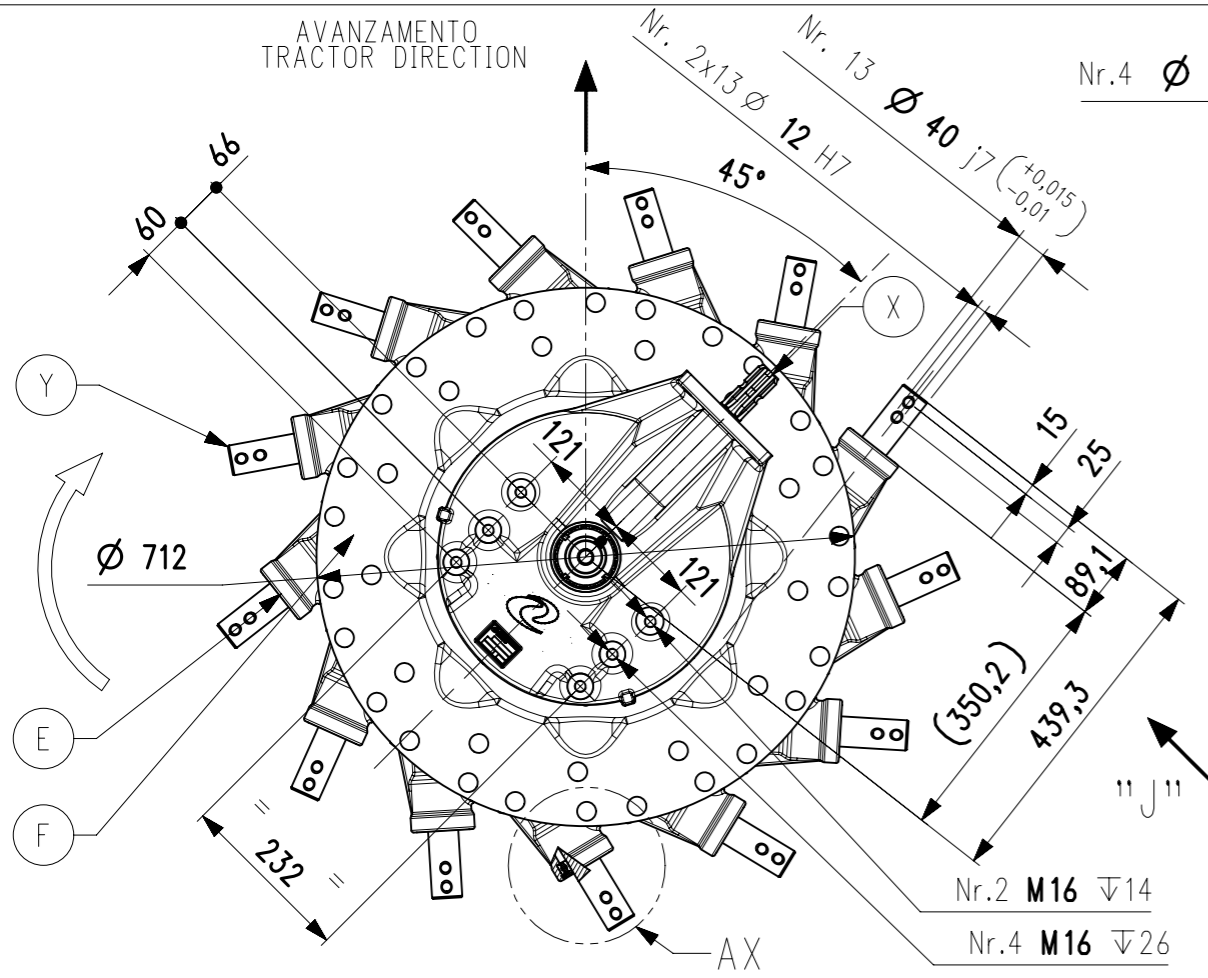
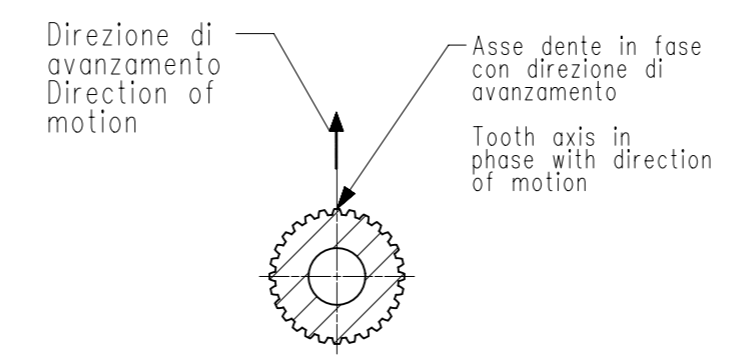
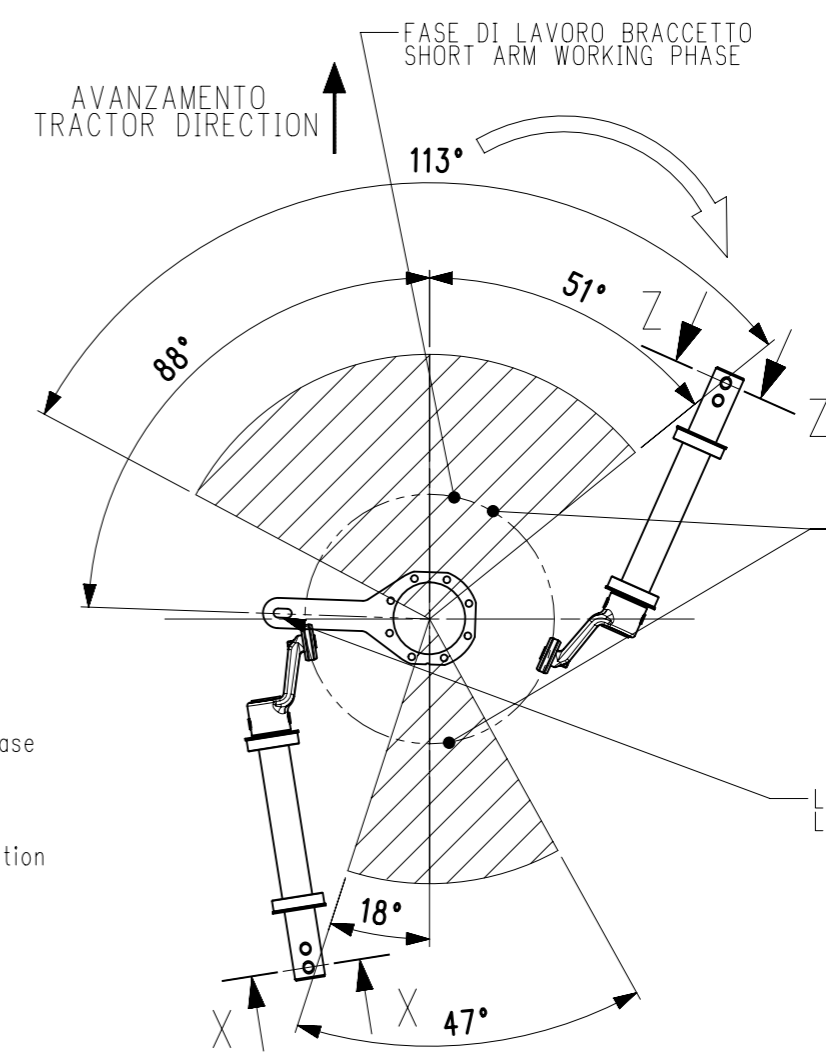


AVANZAMENTO  
TRACTOR DIRECTION

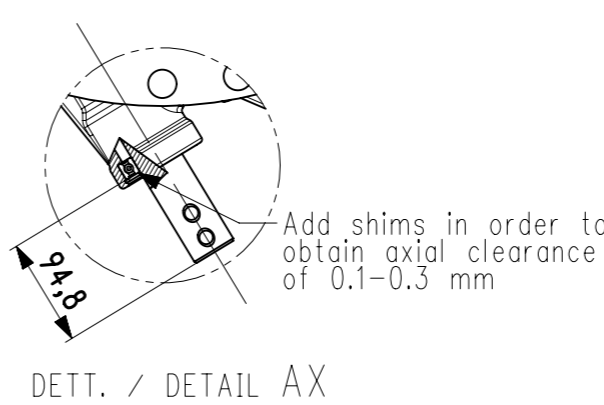
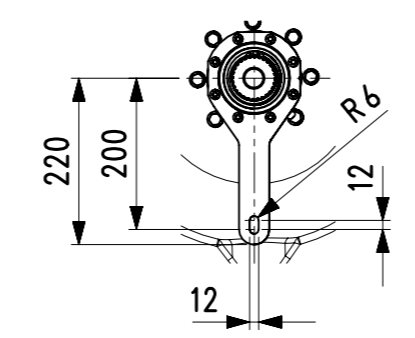
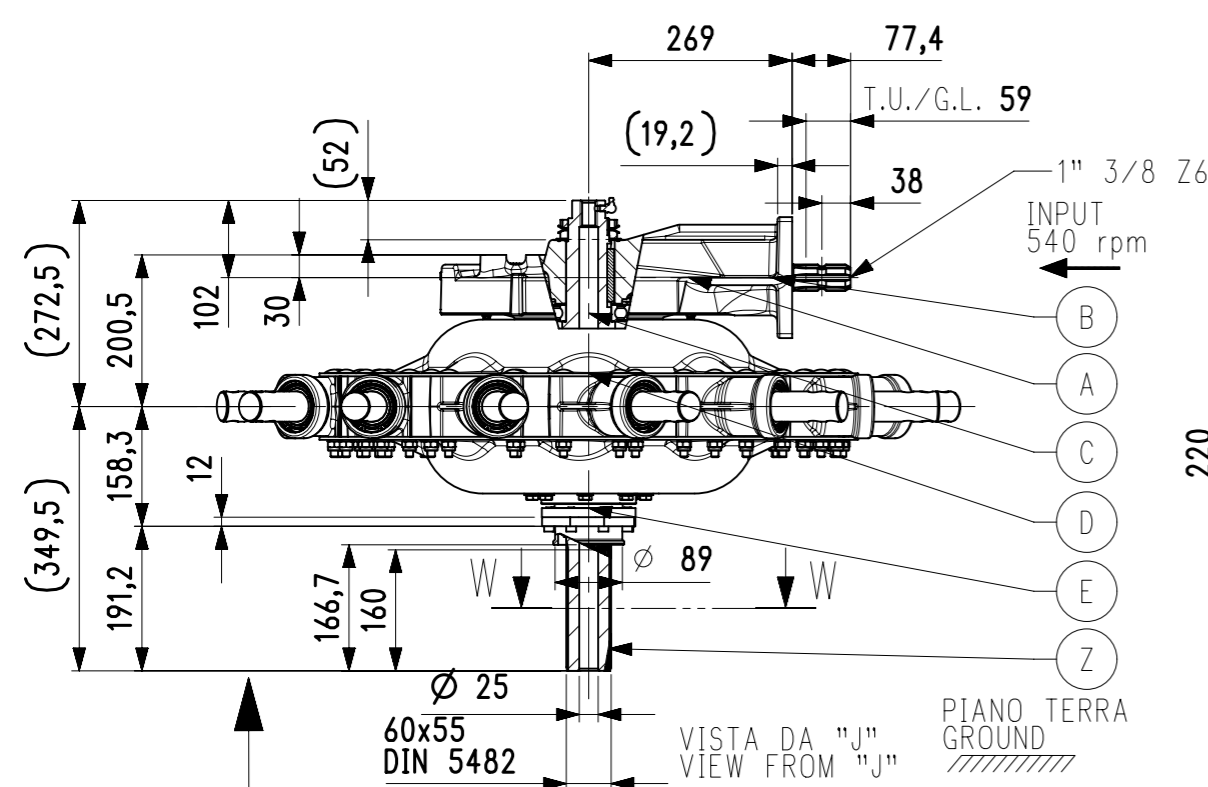
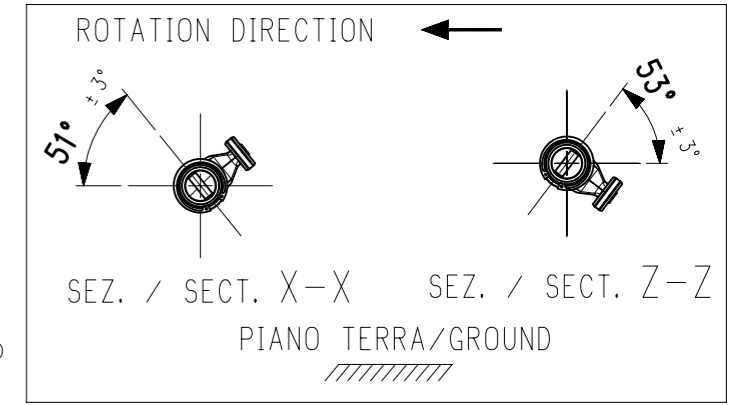


VISTA FRONTALE COPERCHIO  
FRONT VIEW OF THE COVER



SEZ. / SECT. W-W

FASE TEORICA DEL BRACCETTO  
SHORT ARM LAW OF MOTION



DETT. / DETAIL AX

SHAFT	MATERIAL
X	17NiCrMo6-4
Y	C40 QUENCHED AND TEMPERED
Z	42CrMo4 QUENCHED AND TEMPERED

S.d.M. 02.23580

CUSTOMER

CUSTOMER SIGNATURE FOR APPROVAL

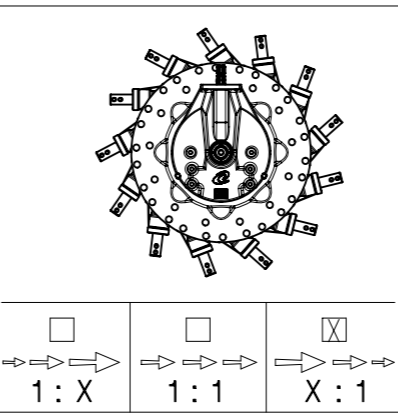
DATE

Rapporto Ratio Verhältniss Rapport	9.2 : 1
Lubricant	Oil <input type="checkbox"/> Litres Grease <input checked="" type="checkbox"/> kg. Recommended type
Estimated quantity	GADUS S2 V220AD 2
Gearbox supplied with Lubricant	<input checked="" type="checkbox"/> Yes <input type="checkbox"/> No

Giri in entrata g/min. Input speed r.p.m. Eingangsdrehzahl u/min. Tours en entrée tr/min.	540
Cuscinetti Bearings Lager Roulements	A 32208 B 30208 C 6212 2RS D 6212 2RS E 6015 2RS F 6008 2RS G 6008 2RS H

Potenza in entrata Input power Eingangleistung Puissance en entrée	HP kW	190
Peso - Weight - Gewicht - Poids	kg.	190
Denti diritti Straight Gerade Droite	<input checked="" type="checkbox"/>	
Denti elicoidali Helicoidal Schraubenfoermig Helicoidale	<input type="checkbox"/>	

Coppia in uscita Output torque moment Ausgangsdrehmoment Couple en sortie	da Nm	
Tappo sfiato - Breather plug Entlüftungsstopfen-Bouchon ventilation	<input type="checkbox"/>	
Tappo carico - filler plug Fullstopfen - Bouchon remplissage	<input type="checkbox"/>	
Tappo livello - Level plug Standschraube - Bouchon niveau	<input type="checkbox"/>	
Tappo scarico - Drain plug Ablassraube - Bouchon vidange	<input type="checkbox"/>	



Code	9.795.113.00	Customer Ref.	
Designation	K-795	Date	05/Jun/18
Gearbox not painted <input type="checkbox"/>		Gearbox painted <input type="checkbox"/>	



COMER INDUSTRIES reserves the right to make any change to this product without prior public acknowledgement  
COMER INDUSTRIES S.p.A. 42046 Villanova di Reggiolo (R.E.) Italia Tel. 0522\974111 fax 0522\973249