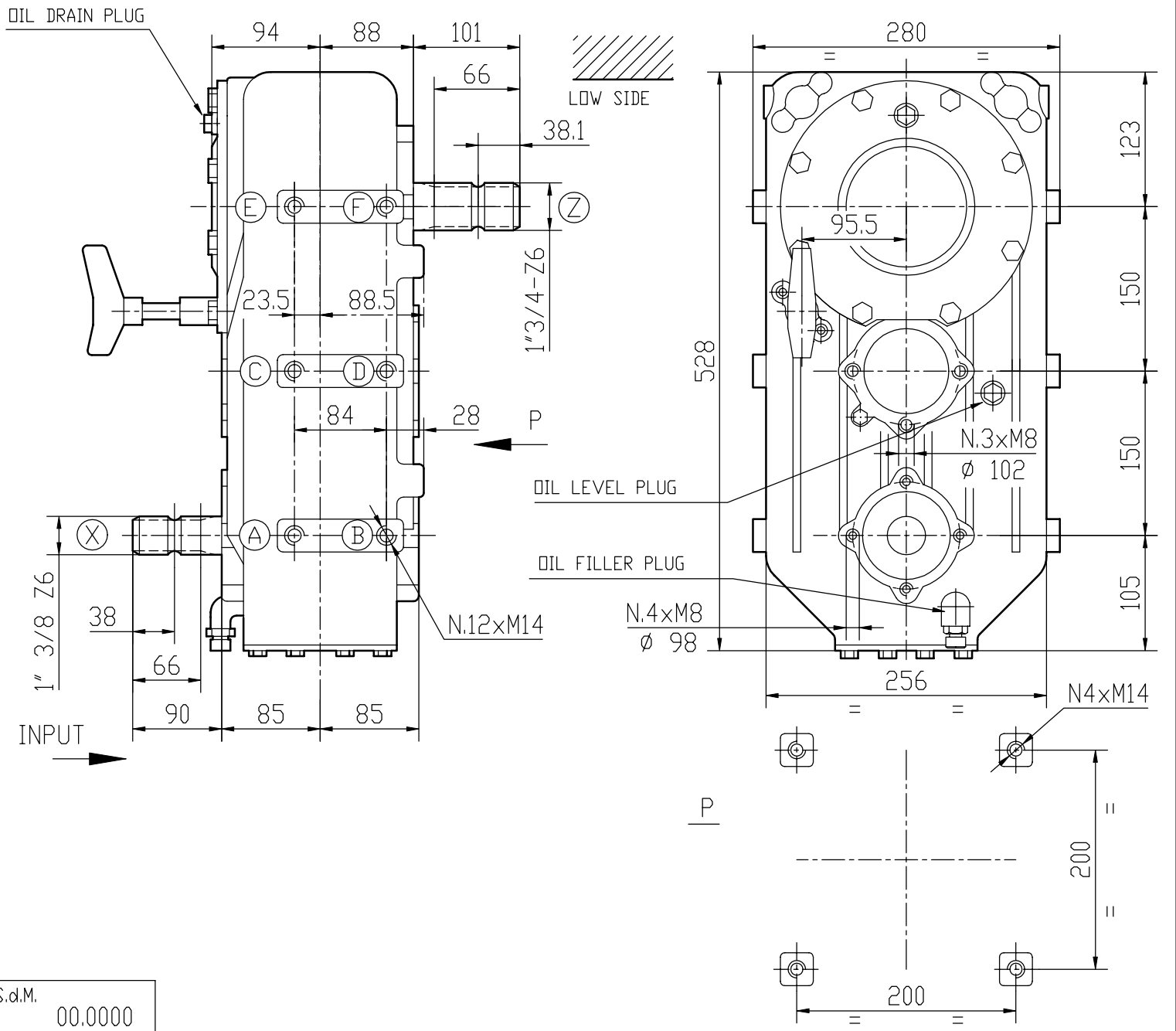
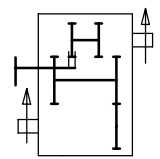


COMPANY	REF.	DESIGNATION
	DATE	D-732 A
	31-08-2005	CODE
		9.732.209.00



S.d.M. 00.0000

REDUCTION GEAR UNIT	Ratio i		Rated input	Rated input power		Rated output torque	Weight	Lubricant									
	1 : 1	1.93 : 1	r.p.m.	HP	kW	da Nm	Kg	Oil <input checked="" type="checkbox"/> Type	Grease <input type="checkbox"/> Quantity Kg								
	1 : 1	1.93 : 1	540	80	59		62	SAE.90EP	5.6								
	Gear Arrangement					Bevel couplings					Cylindrical couplings					Bearings	
	Helicoidal	Straight	Teeth number				Module	Helicoidal	Straight	Teeth number				Module	A	30208	
			Z 1	Z 2	Z 3	Z 4				M.	Z 1	Z 2	Z 3		Z 4	M.	B
							*		26	32	26		5	C	30208		
							*		26	32	23	36	5	D	30208		
													E	6212			
Components material												F	6212				
Casing	Shaft X	Shaft Z			Bevel gear			Spur gear			G						
G 25 UNI 5007	20 MnCr5	20 MnCr5						20 MnCr5			H						

COMER reserves the right to make any change to this product without prior public acknowledgement