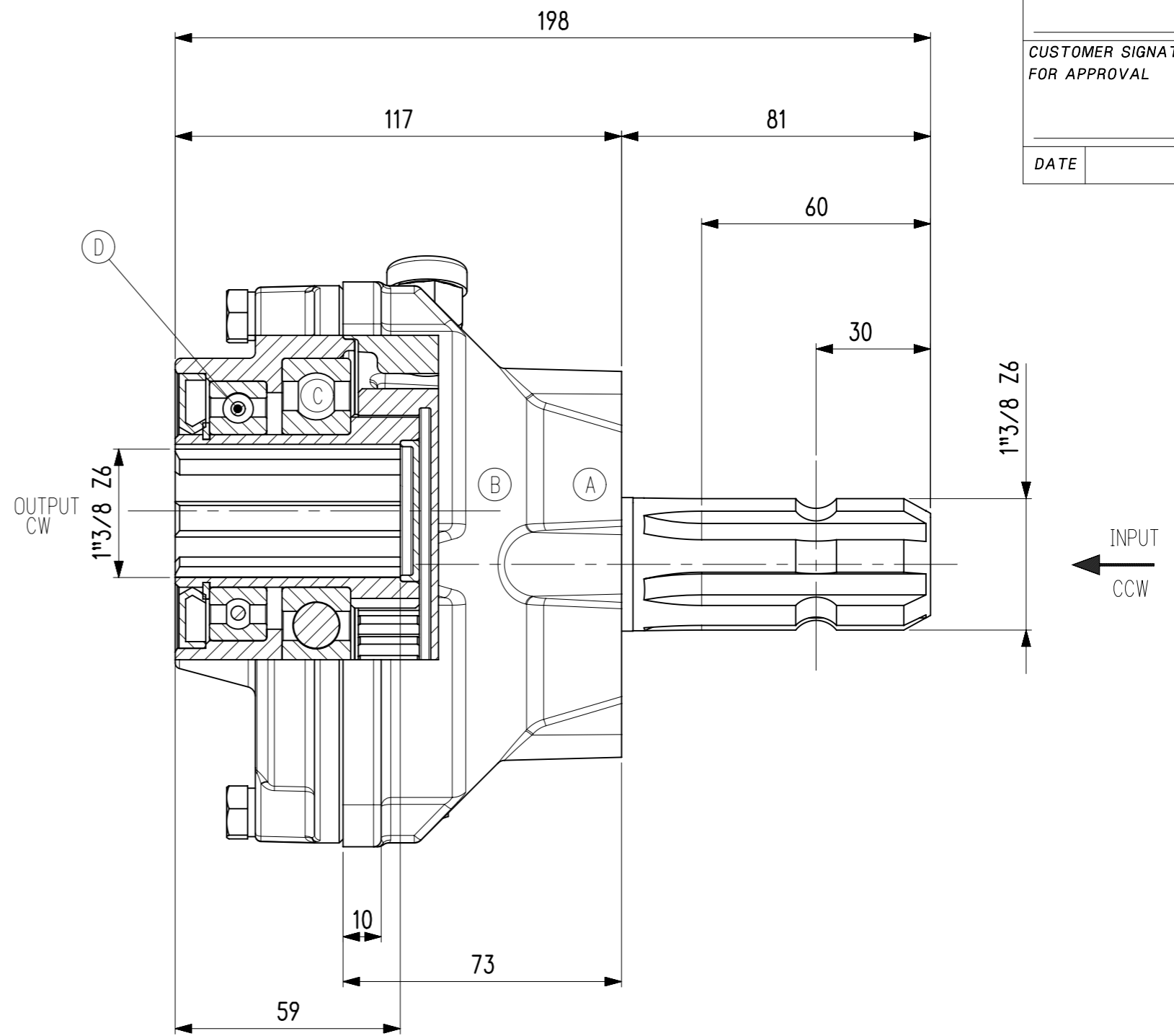
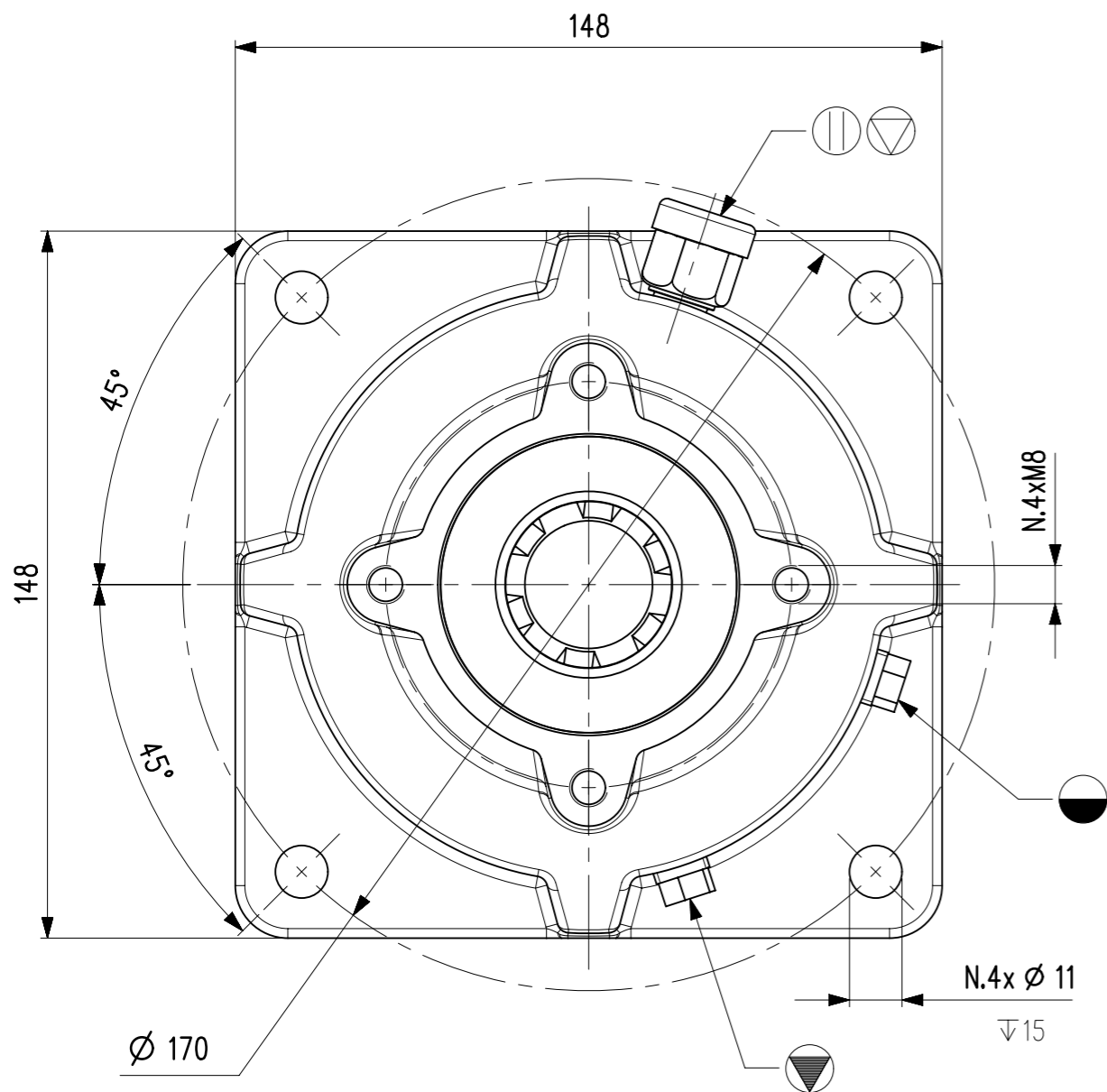


CUSTOMER

CUSTOMER SIGNATURE
FOR APPROVAL

DATE



S.d.M. 00.00000

Rapporto Ratio Verhältniss Rapport 1 : 1.6	Giri in entrata g/min. Input speed r.p.m. Eingangsdrehzahl u/min. Tours en entrée tr/min. 1000	Potenza in entrata Input power Eingangsleistung Puissance en entrée 21 HP 15.4 kW	Coppia in uscita Output torque moment Ausgangsdrehmoment Couple en sortie 9.4 da Nm	Code		Customer Ref.
				9.623.000.00		---
Lubricant Oil <input checked="" type="checkbox"/> Litres Grease <input type="checkbox"/> kg. Recommended type SAE 90 EP Estimated quantity --- Gearbox supplied with Lubricant <input type="checkbox"/> Yes <input checked="" type="checkbox"/> No	Cuscinetti Bearings Lager Roulements A 6007 B 6207 C 6208 D 6008 E F G H	Peso - Weight - Gewicht - Poids 7 kg.	<input type="checkbox"/> Denti diritti Straight Gerade Droite <input checked="" type="checkbox"/> Denti elicoidali Helicoidal Schraubenfoermig Helicoidale	SPEED INCREASING UNIT <input checked="" type="checkbox"/> 1 : X <input type="checkbox"/> 1 : 1 <input type="checkbox"/> X : 1		Company
				Tappo sfiato - Breather plug Entlüftungsstopfen - Bouchon ventilation Tappo carico - filler plug Fullstopfen - Bouchon remplissage Tappo livello - Level plug Standschraube - Bouchon niveau Tappo scarico - Drain plug Ablassraube - Bouchon vidange		A-623A 10-04-2018 Gearbox not painted <input checked="" type="checkbox"/> Gearbox painted <input type="checkbox"/>
COMER INDUSTRIES reserves the right to make any change to this product without prior public acknowledgement COMER INDUSTRIES S.p.A. 42046 Villanova di Reggiolo (R.E.) Italia Tel. 0522\974111 fax 0522\973249						

