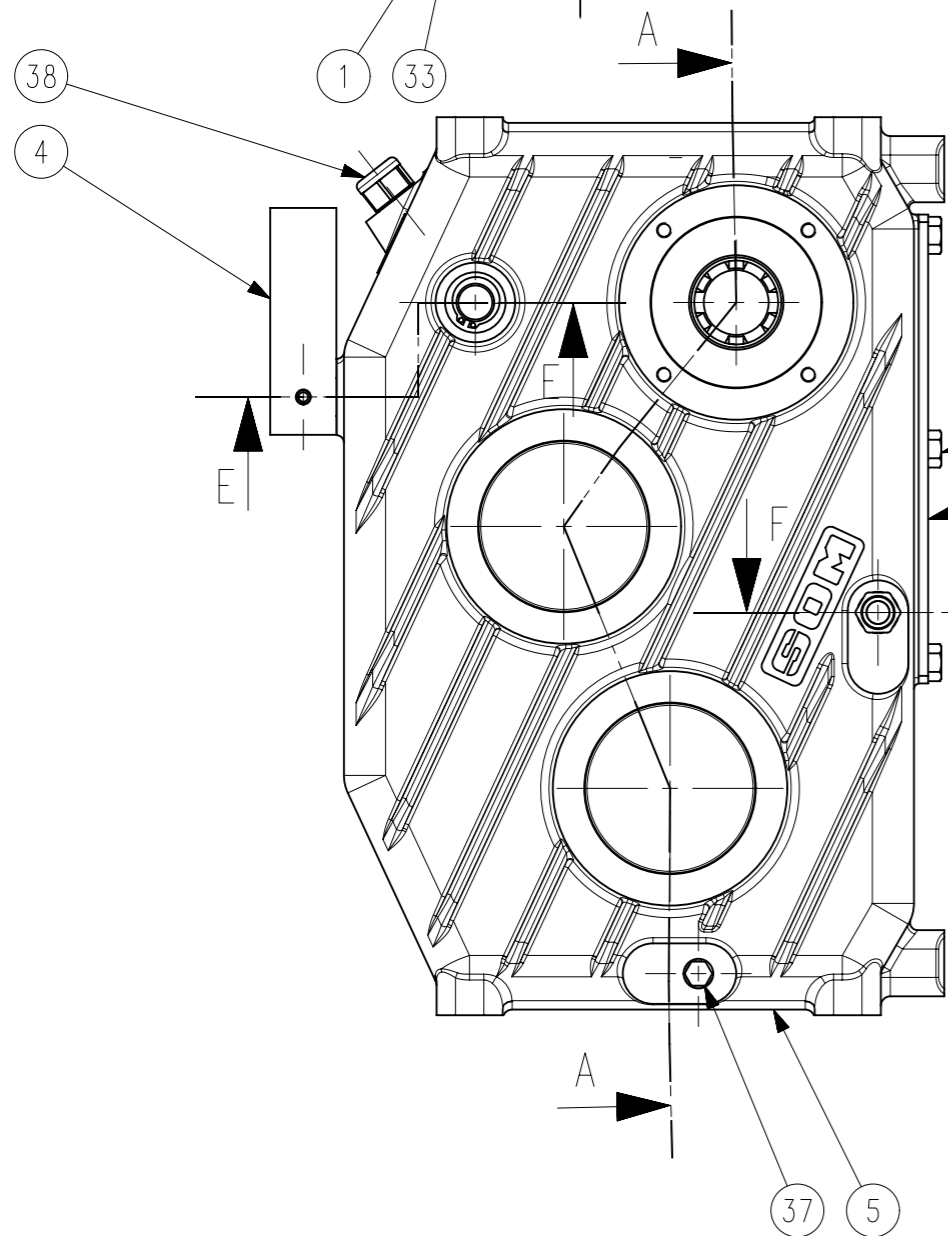
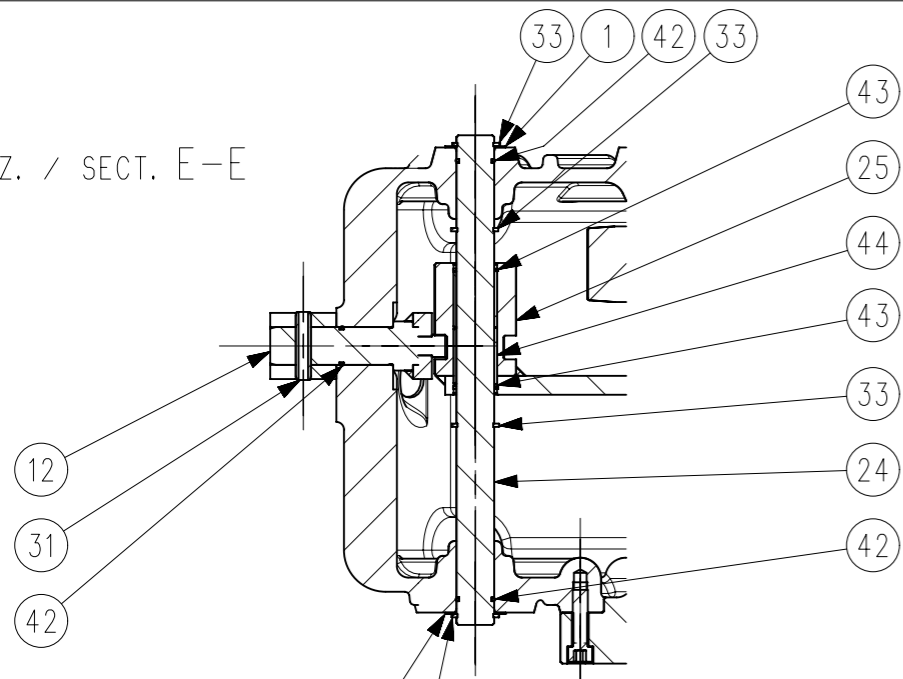
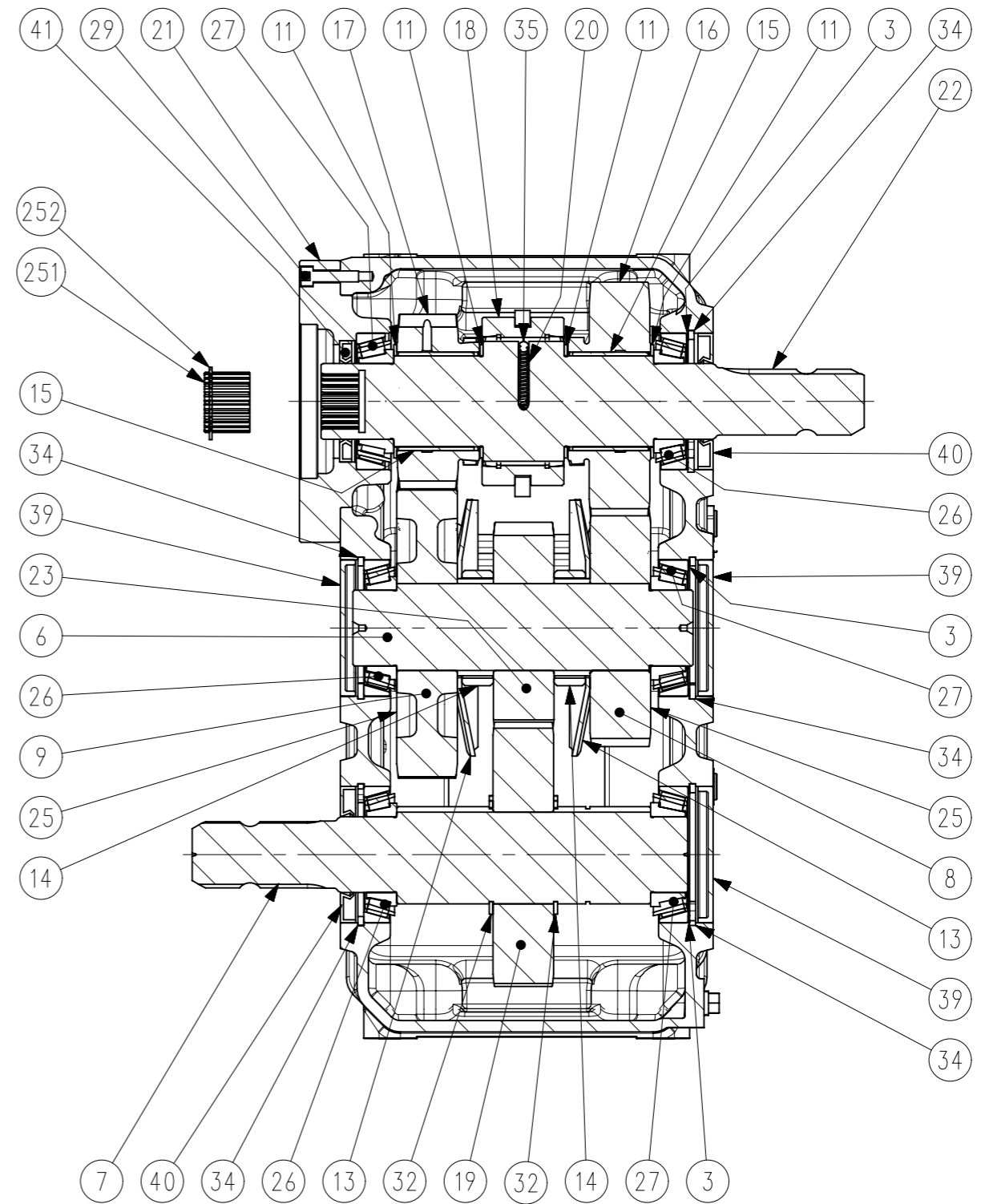
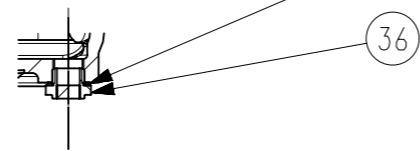


SEZ. / SECT. E-E



SEZ. / SECT. F-F



SEZ. / SECT. A-A

S.d.M. 00.23479

Code Codice Bestell-Nr. Code	5367.165.023	Designation Denominazione Bezeichnung Reference	C-3 A	Company Ditta Firma Etablissement	---	Ref. Rif. Betr. Ref.	---	Date Data Datum Date	29-05-2018
---------------------------------------	--------------	--	-------	--	-----	-------------------------------	-----	-------------------------------	------------

COMER INDUSTRIES reserves the right to make any change to this product without prior public acknowledgement - COMER INDUSTRIES si riserva di apportare al proprio prodotto tutte quelle modifiche che si rendessero necessarie senza alcun preavviso
COMER INDUSTRIES behält sich das recht vor das eigene Produkt ohne vorherige Benachrichtigung zu verändern beziehungsweise zu modifizieren - COMER INDUSTRIES se réserve la faculté de modifier les données techniques du produit sans préavis

COMER INDUSTRIES S.p.A. 42046 Villanova di Reggiolo (R.E.) Italia Tel. 0522\974111 (9 Linee) Fax 0522\973249



DESIGNATION C3A TWO SPEED GEAR

CODE N° 5367.165.023

POS.	DRG. N.	PIEC	DESCRIPTION
1	0.104.7500.00	2	SHIM KIT 20.3x32.0
2	0.124.7101.00	1	PLATE "COMER"
3	0.702.7500.00	3	SHIM KIT 80.3x89.7
4	1366.019.041	1	LEVER
5	1367.001.002	1	HOUSING
6	1367.004.042	1	MIDDLE SHAFT 56x65
7	1367.006.042	1	SHAFT 1"3/4 Z20
8	1367.008.026	1	GEAR Z37 M4
9	1367.012.026	1	GEAR Z47 M4
10	1367.015.061	1	COVER
11	1367.016.061	4	THRUST WASHER
12	1367.024.098	1	INNER LEVER
13	1367.028.061	2	LUBRICATING SHEET
14	1367.030.076	2	SPACER
15	1367.032.099	2	BUSHING
16	1367.033.026	1	GEAR
17	1367.034.026	1	GEAR Z26 M4
18	1367.035.042	1	SLIDE GEAR
19	1367.038.042	1	GEAR Z41 M4
20	1367.039.000	2	SPRING
21	1367.040.025	1	FLANGE SAE B
22	1367.043.042	1	INPUT SHAFT 1"3/4 Z6
23	1367.045.042	1	GEAR Z32 M4
24	1367.113.041	1	GEAR SELECTOR ROD
25	1367.153.098	1	PIVOT
26	8.0.9.00888	3	ROLLER BEARING 30210
27	8.0.9.01782	3	ROLLER BEARING 32210
28	8.1.1.00209	6	BOLT HH M10x16 UNI5739 8.8
29	8.1.2.00361	8	BOLT M8x30 UNI5931 8.8
30	8.3.0.01353	1	ALUMINUM WASHER 17x22x1.5
31	8.4.5.01025	1	SPRING PIN 8x36 DIN1481
32	8.5.1.01163	2	SNAP RING SHAFT 65 UNI 7435
33	8.5.1.01211	4	SNAP RING FOR SHAFT D20 UNI7436
34	8.5.2.01886	5	SNAP RING HOLE H=4 90 UNI 7438
35	8.5.9.02598	2	BALL D7 mm.
36	8.6.4.00273	1	LEV. WARNING LIGHT 3/8"GAS
37	8.6.5.00006	1	PLUG EXTERNAL 3/8"GAS
38	8.6.7.01833	1	OIL BREATHER PLUG 1/2"GAS
39	8.7.0.01054	3	CAP 90x10
40	8.7.1.01107	2	DOUBLE LIP SEAL 50x90x10
41	8.7.3.02599	1	DUST LIP
42	8.7.6.01966	3	O-RING OR-2068
43	9010.120.020	2	SNAP RING SB23
44	9040.214.200	2	FRICITION BEARING 202320 A
	A.367.003	1	
251	1367.042.042	1	JOINT Z20 - 16/32DP Z13
252	8.5.1.00029	1	SNAP RING SHAFT 40 UNI7435 DIN472