

ASSEMBLED FRL

SERIES MX

MX2 ports: G3/8, G1/2, G3/4 - MX3 ports: G3/4, G1
 Assembly through rapid clamps



- Compact design
- Dimensions optimization
- Great reliability
- Easy and quick maintenance
- Can be integrated with valves complying with the Machinery Directive 2006/42/CE
- Reduced weight

Series MX FRL can be easily assembled through rapid clamps which allow the connection among single components creating an unlimited number of compositions.
 The FRL groups Series MX are also available in the already mounted version (with a single code).

The use of three different types of rapid clamps (standard, with wall fixing screws or with brackets) allows an easy mounting of the assembled groups and to carry out maintenance operations on the single components with no need to disassemble the group.

General Data

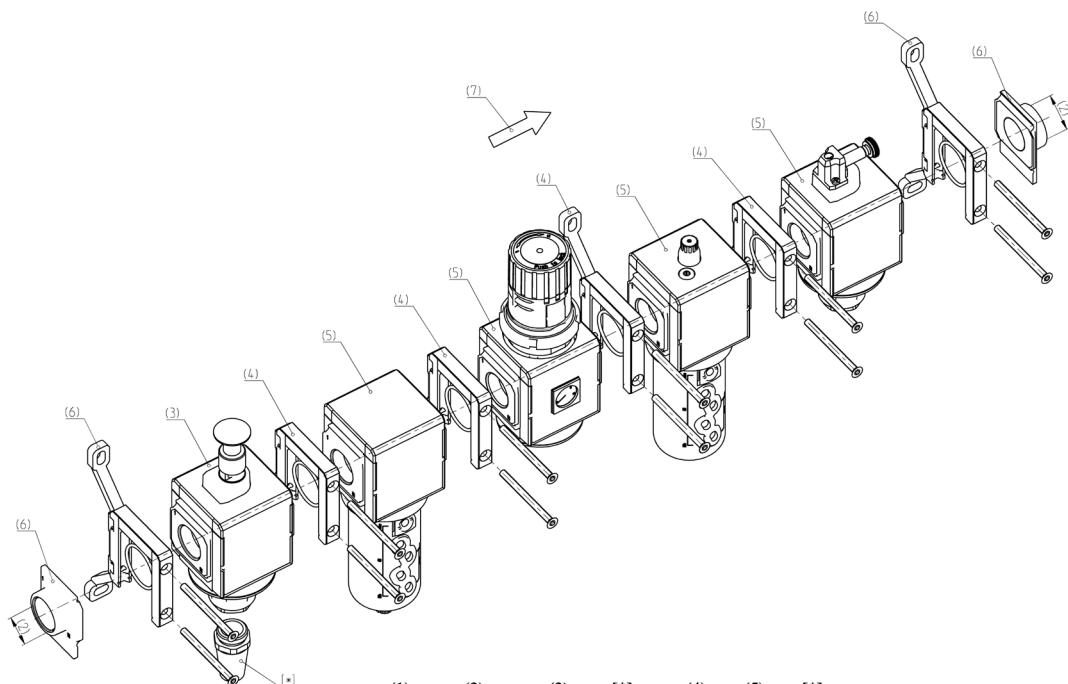
Construction	Modular, compact
Materials	See catalogue pages referring to the single component
Ports	MX2: G3/8 - G1/2 - G3/4 MX3: G3/4 - G1
Mounting	Vertical in-line Wall-mounting (by means of clamps) Panel mounting
Operating temperature	-5°C ÷ 50°C up to 16 bar (according to the single component characteristics) -5°C ÷ 60°C up to 10 bar (according to the single component characteristics)

Configuration of assembled groups Series MX

To configure the assembled groups Series MX, use the here below example and the related legend on the following page.

Configuration of the assembled group in the drawing:

MX2-3/8-V01+A32XF00XR004YL00XV16-KK



	(1)	(2)	(3)	[*]	(4)	(5)	[*]			
	MX	2	3/8	V01	+A32	X	F00			
						X	R004			
						Y	L00			
									(6)	[**]
						X	V16		KK	(7)

Coding example

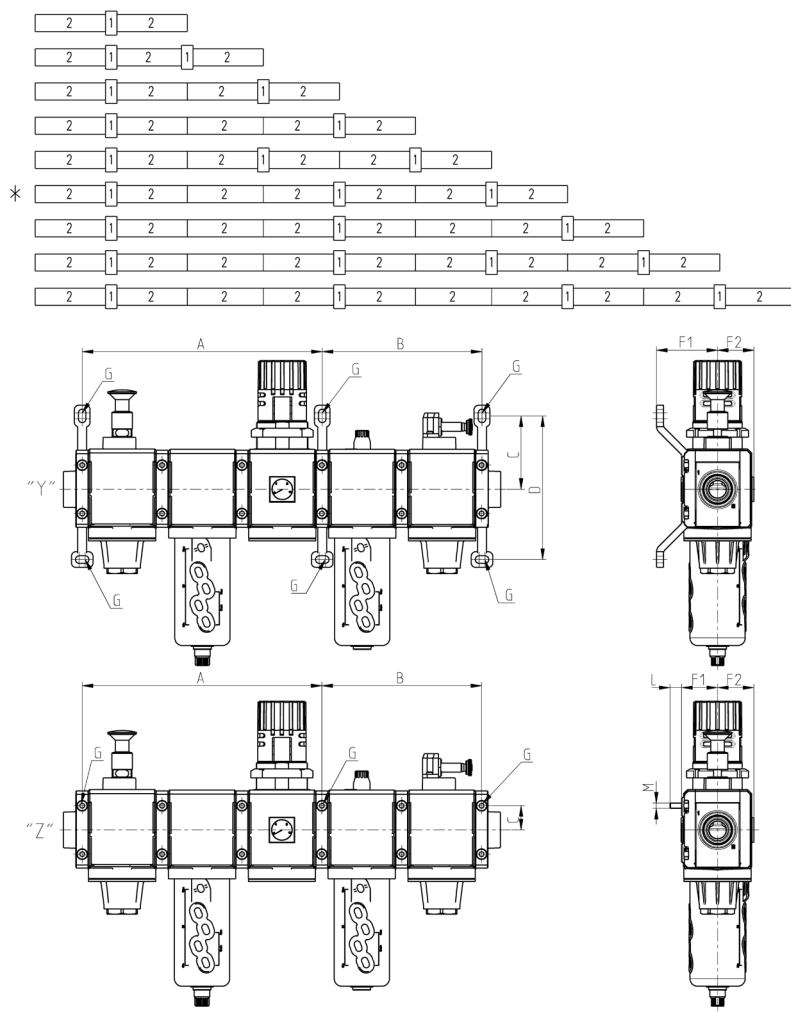
MX	2	-	3/8	-	V01	X	F00	X	V1841AB	-	KK	-	LH
MX													
	2	(1)	SIZES 2 = G3/8 - G1/2 - G3/4 3 = G3/4 - G1										
	3/8	(2)	IN / OUT THREADS 3/8 = G3/8 1/2 = G1/2 3/4 = G3/4 1 = G1										
	V01	(3)	MODULE + [+] (to configure the modules, see the single components pages):				F... = Filter FC... = Coalescing filter FCA... = Activated carbons filter R... = Pressure regulator L... = Lubricator FR... = Filter-Regulator				V... = Lockable isolation valve V16...; V17...; V18...; V19... = Machinery Directive solenoid valves (use version without mounting accessories) (only for MX2) AV... = Soft start valve B... = Take-off block (MX2: G1/2 only - MX3: G1 only)		
		[*]	The following ACCESSORIES can be added after every single module: REGULATOR AND FILTER-REGULATOR MX2 +A12 = SWCN-P10-P3-2 (Electronic pressure switch) +A13 = SWCN-P10-P4-2 (Electronic pressure switch) +A14 = SWCN-P10-P4-M (Electronic pressure switch) +A52 = PG010-PB-1/8 (Pressure gauge) +A53 = PG010-PB-1/8-2 (Pressure gauge) +A54 = PG010-PB-1/8-M (Pressure gauge) +A55 = M053-P04 (Pressure gauge) +A56 = M053-P06 (Pressure gauge) +A57 = M053-P10 (Pressure gauge) +A58 = M063-P12 (Pressure gauge)				REGULATOR AND FILTER-REGULATOR MX3 +A15 = SWCN-P10-P3-2 (Electronic pressure switch) +A16 = SWCN-P10-P4-2 (Electronic pressure switch) +A17 = SWCN-P10-P4-M (Electronic pressure switch) +A59 = M063-P04 (Pressure gauge) +A60 = M063-P06 (Pressure gauge) +A61 = M063-P12 (Pressure gauge) +A62 = PG010-PB-1/4 (Pressure gauge) +A63 = PG010-PB-1/8-2 (Pressure gauge) +A64 = PG010-PB-1/8-M (Pressure gauge)						
			LOCKABLE ISOLATION VALVE MX2 +A30 = 2901 1/2" (Silencier) +A31 = 2921 1/2" (Silencier) +A32 = 2931 1/2" (Silencier) +A33 = 2928 1/2" (Silencier)				LOCKABLE ISOLATION VALVE MX3 +A34 = 2901 3/4" (Silencier) +A35 = 2921 3/4" (Silencier) +A36 = 2931 3/4" (Silencier) +A37 = 2928 3/4" (Silencier)						
			SOFT START VALVE +A00 = PM11-NA (Pressure switch, normally open) +A01 = PM11-NC (Pressure switch, normally closed) +A04 = PM11-SC (Pressure switch) +A05 = PM681-1 (Pressure switch) +A18 = PM681-3 (Pressure switch)										
			TAKE-OFF BLOCK MX2 +A11 = PM681-1 (Pressure switch) +A24 = PM681-3 (Pressure switch) +A08 = PM11-NA (normally open pressure switch) with fitting for fixing to the module +A09 = PM11-NC (normally closed pressure switch) with fitting for fixing to the module +A03 = PM11-SC with fitting for fixing to the module Example: MX2-3/8-V01+A32XF00-KK-LH				TAKE-OFF BLOCK MX3 +A06 = PM11-NA (normally open pressure switch) with fitting for fixing to the module +A07 = PM11-NC (normally closed pressure switch) with fitting for fixing to the module +A10 = PM681-1 (Pressure switch) +A25 = PM681+3 (Pressure switch) +A02 = PM11-SC with fitting for fixing to the module Example: MX3-3/4-V01+A36XF00-KK-LH				ISOLATION VALVE MX2 / MX3 +A40 = U7H Coil UL (12V DC) +A41 = U77 Coil UL (24V DC) +A42 = U79 Coil UL (48V DC) +A43 = U7K Coil UL (110V AC) +A44 = U7J Coil UL (230V AC) +A45 = G7H Coil (12V DC) +A46 = G77 Coil (24V DC) +A47 = G79 Coil (48V DC) +A48 = G7K Coil (110V AC) +A49 = G7J Coil (230V AC)		
	X	(4)	MODULES CONNECTION (according to the positioning scheme on the following page): X = Rapid clamp kit Z = Rapid clamp kit with wall fixing screw Y = Rapid clamp kit with wall fixing brackets										
	F00	(5) + [*]	see MODULE (3)										
	X	(4)											
	V1841AB	(5) + [*]	see FORM (3) - if other forms are present										
	KK	(6)	TERMINAL CONNECTIONS + [**] = no terminal connection HH = n° 1 rapid clamp kit with flanges (IN / OUT) JJ = n° 1 rapid clamp kit with wall fixing screws + flanges (IN / OUT) KK = n° 1 rapid clamp kit with wall fixing brackets + flanges (IN / OUT)										
		[**]	WALL CONNECTION: REGULATOR and FILTER-REGULATOR S = Bracket (only with clamps mod. X o HH)										
	LH	(7)	FLOW DIRECTION: = from left to right (standard) LH = from right to left										
		(4) + (5) + [**]	REPEATABLE COMBINATION for a "n" number of times										

Wall fixing - mounting dimensions and positioning scheme

Legend of the POSITIONING SCHEME:

1. rapid clamp with wall fixing screw or with wall fixing bracket
2. module / flange

* POSITIONING SCHEME referring to drawings "Y" and "Z".



Legend of the ASSEMBLED GROUPS DRAWINGS:

"Y" = with rapid clamps with wall fixing brackets (MX...-Y)

"Z" = with rapid clamp with wall fixing screws (MX...-Z)

"G" = fixing point

Mod.	A	B	C	D	F1	F2	L	M
MX2-Y	210	140	68,5	134,5	70	37	-	-
MX2-Z	210	140	23	-	37,5	37	13,5	M5
MX3-Y	267	178	82	160	68	40,5	-	-
MX3-Z	267	178	27	-	40,5	40,5	13	M6

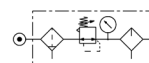
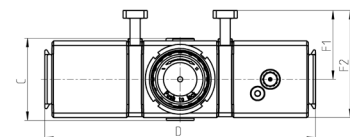
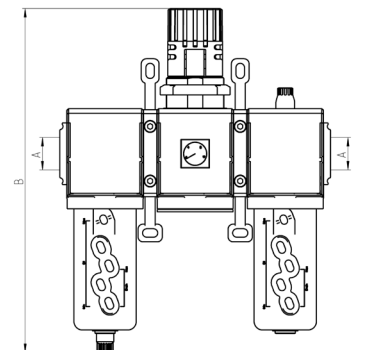
Coding example

MX	2	-	3/8	-	000001
MX	SERIES				
2	SIZE 2 = G3/8 - G1/2 - G3/4 3 = G3/4 - G1				
3/8	PORTS: 3/8 = G3/8 1/2 = G1/2 3/4 = G3/4 1 = G1				
000001	GROUP COMPOSITION: 000001 = F10 + R004 + L00 000002 = FR1004 + L00 000003 = V01 + FR1004 + L00 000004 = V01 + FR1004 000005 = FR1004 + V16 + AV 000006 = FR1004 + L00 + V16 + AV 000007 = V01 + FR1004 + V16 + AV 000008 = V01 + FR1004 + L00 + V16 + AV + PRESS. NO 000009 = V01 + FR1004 + L00 + V16 + AV + PRESS. NC 000010 = V01 + FR1004 + V16 + AV + PRESS. NO 000011 = V01 + FR1004 + V16 + AV + PRESS. NC 000012 = F13 + FC03				
	WARNING: IN THE PRESENCE OF METAL PIPES, THE USE OF CONNECTION FLANGES MAKE THE MAINTENANCE ACTIVITIES EASIER. INITIALLY PROCEED BY ASSEMBLING THE PIPES ON THE FLANGES, THEN FIX THE TREATMENT UNIT TO THE WALL THROUGH THE PROPER FIXING BRACKETS				

Composition of the assembled group 000001

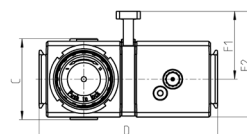
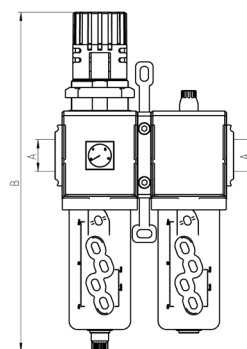


- Components:
 Filter
 Regulator
 Lubricator

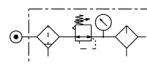


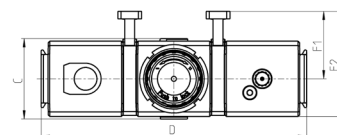
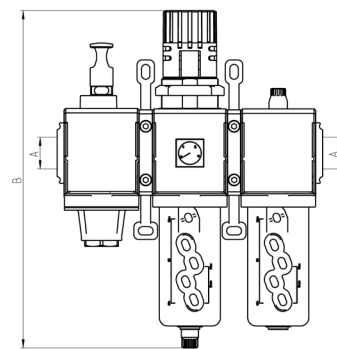
Mod.	A	B	C	D	F1	F2
MX2-3/8-000001	G3/8	289	74,5	210	70	104,5
MX2-1/2-000001	G1/2	289	74,5	210	70	104,5
MX2-3/4-000001	G3/4	289	74,5	210	70	104,5
MX3-3/4-000001	G3/4	345	81	268,5	68	106
MX3-1-000001	G1	345	81	268,5	68	106

ASSEMBLED FRL
SERIES MX - DIMENSIONS
Composition of the assembled group 000002

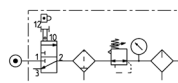
 Components:
 Filter-regulator
 Lubricator


Mod.	A	B	C	D	F1	F2
MX2-3/8-000002	G3/8	289	74,5	140	70	104,5
MX2-1/2-000002	G1/2	289	74,5	140	70	104,5
MX2-3/4-000002	G3/4	289	74,5	140	70	104,5
MX3-3/4-000002	G3/4	345	81	179	68	106
MX3-1-000002	G1	345	81	179	68	106


Composition of the assembled group 000003

 Components:
 Lockable isolation 3/2-way valve
 Filter-regulator
 Lubricator


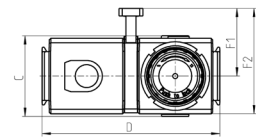
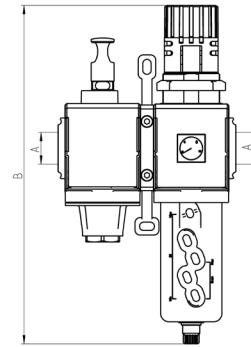
Mod.	A	B	C	D	F1	F2
MX2-3/8-000003	G3/8	289	74,5	210	70	104,5
MX2-1/2-000003	G1/2	289	74,5	210	70	104,5
MX2-3/4-000003	G3/4	289	74,5	210	70	104,5
MX3-3/4-000003	G3/4	345	81	268,5	68	106
MX3-1-000003	G1	345	81	268,5	68	106



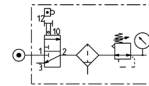
Composition of the assembled group 000004



Components:
 Lockable isolation 3/2-way valve
 Filter-regulator



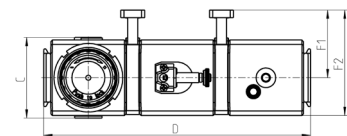
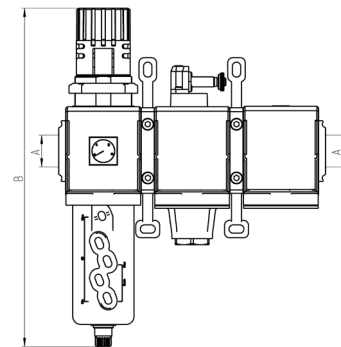
Mod.	A	B	C	D	F1	F2
MX2-3/8-000004	G3/8	289	74,5	140	70	104,5
MX2-1/2-000004	G1/2	289	74,5	140	70	104,5
MX2-3/4-000004	G3/4	289	74,5	140	70	104,5
MX3-3/4-000004	G3/4	345	81	179	68	106
MX3-1-000004	G1	345	81	179	68	106



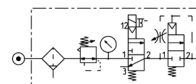
Composition of the assembled group 000005



Components:
 Filter-regulator
 Lockable isolation 3/2-way valve
 Soft start valve

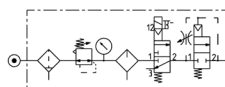
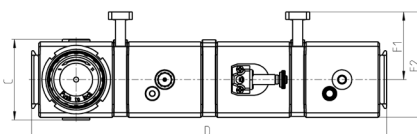
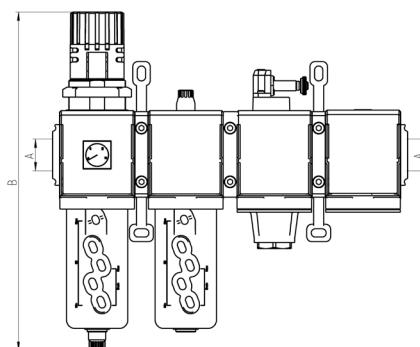


Mod.	A	B	C	D	F1	F2
MX2-3/8-000005	G3/8	289	74,5	210	70	104,5
MX2-1/2-000005	G1/2	289	74,5	210	70	104,5
MX2-3/4-000005	G3/4	289	74,5	210	70	104,5
MX3-3/4-000005	G3/4	345	81	268,5	68	106
MX3-1-000005	G1	345	81	268,5	68	106



ASSEMBLED FRL
SERIES MX - DIMENSIONS
Composition of the assembled group 000006


Components:
 Filter-regulator
 Lubricator
 Lockable isolation 3/2-way valve
 Soft start valve



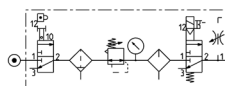
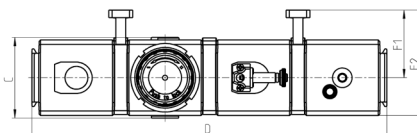
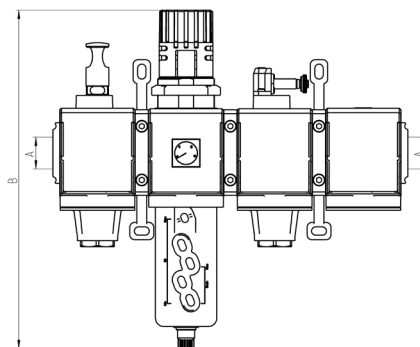
Mod.	A	B	C	D	F1	F2
MX2-3/8-000006	G3/8	289	74,5	280	70	104,5
MX2-1/2-000006	G1/2	289	74,5	280	70	104,5
MX2-3/4-000006	G3/4	289	74,5	280	70	104,5
MX3-3/4-000006	G3/4	345	81	358	68	106
MX3-1-000006	G1	345	81	358	68	106

AIR TREATMENT

9

Composition of the assembled group 000007


Components:
 Lockable isolation 3/2-way valve
 Filter-regulator
 Lockable isolation 3/2-way valve
 Soft start valve



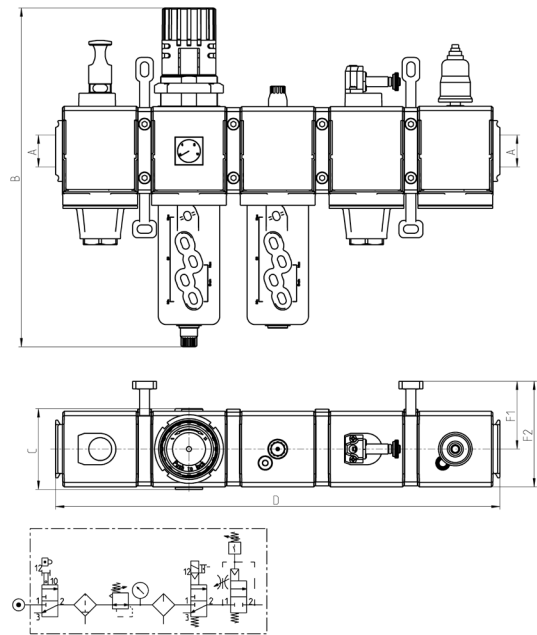
Mod.	A	B	C	D	F1	F2
MX2-3/8-000007	G3/8	289	74,5	280	70	104,5
MX2-1/2-000007	G1/2	289	74,5	280	70	104,5
MX2-3/4-000007	G3/4	289	74,5	280	70	104,5
MX3-3/4-000007	G3/4	345	81	358	68	106
MX3-1-000007	G1	345	81	358	68	106

Composition of the assembled group 000008



- Components:
 Lockable isolation 3/2-way valve
 Filter-regulator
 Lubricator
 Lockable isolation 3/2-way valve
 Soft start valve + pressure switch (NO)

Mod.	A	B	C	D	F1	F2
MX2-3/8-000008	G3/8	289	74,5	350	70	104,5
MX2-1/2-000008	G1/2	289	74,5	350	70	104,5
MX2-3/4-000008	G3/4	289	74,5	350	70	104,5
MX3-3/4-000008	G3/4	345	81	447,5	68	106
MX3-1-000008	G1	345	81	447,5	68	106

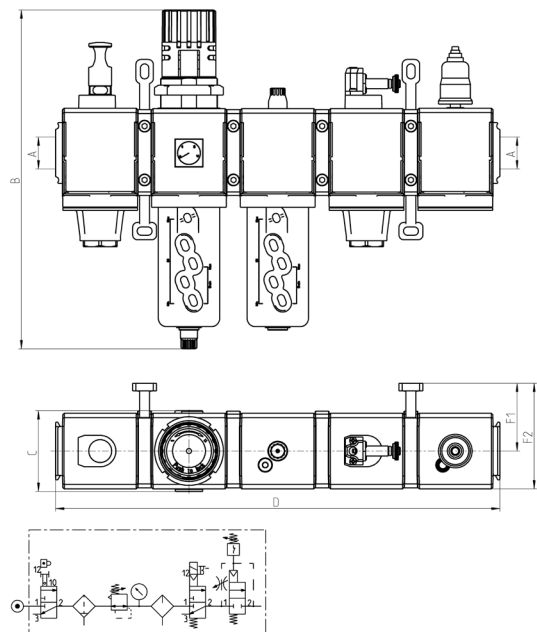


Composition of the assembled group 000009



- Components:
 Lockable isolation 3/2-way valve
 Filter-regulator
 Lubricator
 Lockable isolation 3/2-way valve
 Soft start valve + pressure switch (NC)

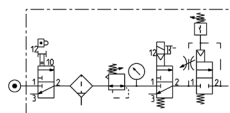
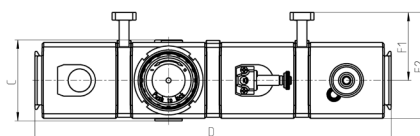
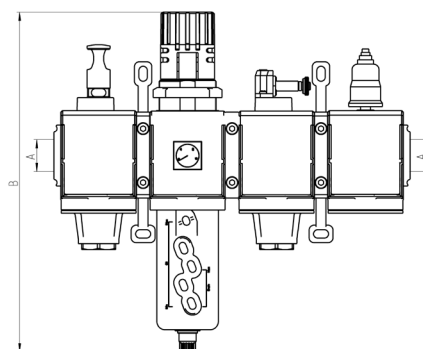
Mod.	A	B	C	D	F1	F2
MX2-3/8-000009	G3/8	289	74,5	350	70	104,5
MX2-1/2-000009	G1/2	289	74,5	350	70	104,5
MX2-3/4-000009	G3/4	289	74,5	350	70	104,5
MX3-3/4-000009	G3/4	345	81	447,5	68	106
MX3-1-000009	G1	345	81	447,5	68	106



ASSEMBLED FRL
SERIES MX - DIMENSIONS
Composition of the assembled group 000010

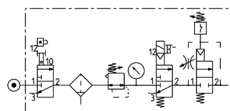
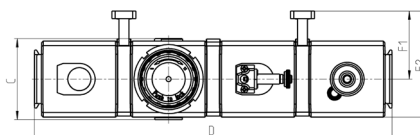
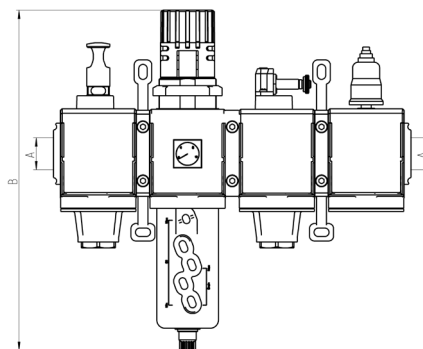

- Components:
- Lockable isolation 3/2-way valve
 - Filter-regulator
 - Lockable isolation 3/2-way valve
 - Soft start valve + pressure switch (NO)

Mod.	A	B	C	D	F1	F2
MX2-3/8-000010	G3/8	289	74,5	280	70	104,5
MX2-1/2-000010	G1/2	289	74,5	280	70	104,5
MX2-3/4-000010	G3/4	289	74,5	280	70	104,5
MX3-3/4-000010	G3/4	345	81	358	68	106
MX3-1-000010	G1	345	81	358	68	106


Composition of the assembled group 000011


- Components:
- Lockable isolation 3/2-way valve
 - Filter-regulator
 - Lockable isolation 3/2-way valve
 - Soft start valve + pressure switch (NC)

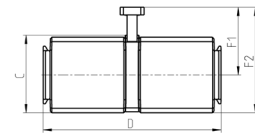
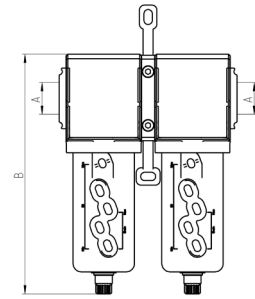
Mod.	A	B	C	D	F1	F2
MX2-3/8-000011	G3/8	289	74,5	280	70	104,5
MX2-1/2-000011	G1/2	289	74,5	280	70	104,5
MX2-3/4-000011	G3/4	289	74,5	280	70	104,5
MX3-3/4-000011	G3/4	345	81	358	68	106
MX3-1-000011	G1	345	81	358	68	106



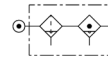
Composition of the assembled group 000012



Components:
 Filter
 Coalescing filter



Mod.	A	B	C	D	F1	F2
MX2-3/8-000012	G3/8	210	72	140	70	104,5
MX2-1/2-000012	G1/2	210	72	140	70	104,5
MX2-3/4-000012	G3/4	210	72	140	70	104,5
MX3-3/4-000012	G3/4	231	78	179	68	106
MX3-1-000012	G1	231	78	179	68	106



Rapid clamp kit



Materials:
 Technopolymer clamp, NBR
 O-ring, zinc-plated steel
 nuts and screws.

The MX2-X kit is supplied with:

- 1x Rapid clamp,
- 1x O-ring OR 3125 **;
- 2x Hexagonal nuts M5;
- 2x Screws M5x69.

The MX2-Z kit is supplied with:

- 1x Rapid clamp,
- 1x O-ring OR 3125 **;
- 1x Hexagonal nut M5;
- 1x Screw M5x69;
- 1x Screw M5x85 for wall fixing.

*It can be ordered separately (cod. 160-39-11/19).

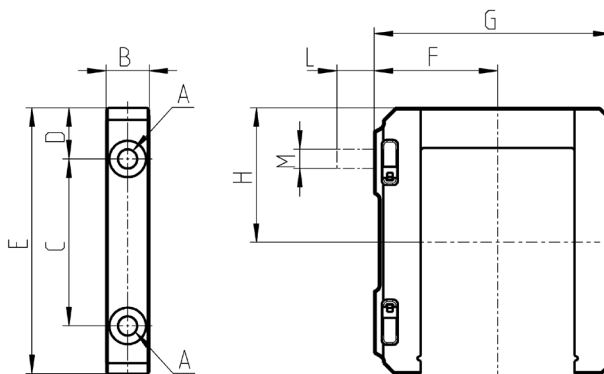
The MX3-X kit is supplied with:

- 1x Rapid clamp,
- 1x O-ring OR 38X2,8 **;
- 2x Square nuts M6;
- 2x Screws M6x75.

The MX3-Z kit is supplied with:

- 1x Rapid clamp,
- 1x O-ring OR 38X2,8 **;
- 1x Square nut M6,
- 1z Screw M6x75;
- 1x Screw M6x90 for wall fixing.

**It can be ordered separately (OR 38X2,8 NBR).



Mod.	A	B	C	D	E	F	G	H	L	M	Notes
MX2-X	5,2	12	46	14	73,5	37,5	70,5	37	-	-	
MX2-Z	5,2	12	46	14	73,5	37,5	70,5	37	14	M5	Kit with wall fixing screw
MX3-X	6,2	14	54	16,5	86	40	77	43,5	-	-	
MX3-Z	6,2	14	54	16,5	86	40	77	43,5	13	M6	Kit with wall fixing screw

Rapid clamp kit with wall fixing brackets



Materials:
 technopolymer clamp, NBR
 O-ring, zinc-plated steel
 nuts and screws.

The MX2-Y kit is supplied with:

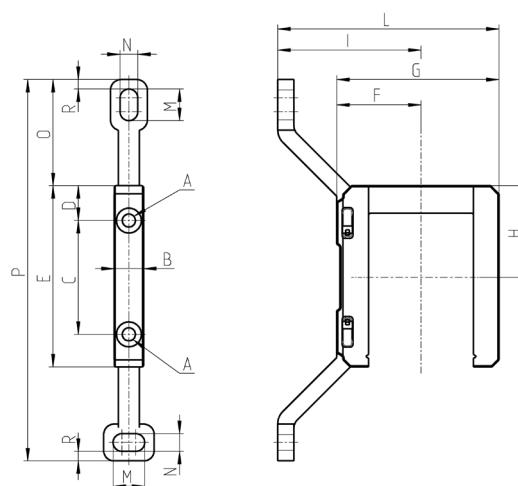
- 1x rapid wall clamp;
- 1x O-ring OR 3125 **;
- 2x hexagonal nuts;
- 2x screws M5x69.

** It can be ordered separately (cod. 160-39-11/19).

The kit MX3-Y is supplied with:

- 1x wall rapid clamp;
- 1x O-ring 38X2,8 **;
- 2x square nuts M6;
- 2x screws M6x75.

** It can be also separately ordered (OR 38X2,8 NBR).



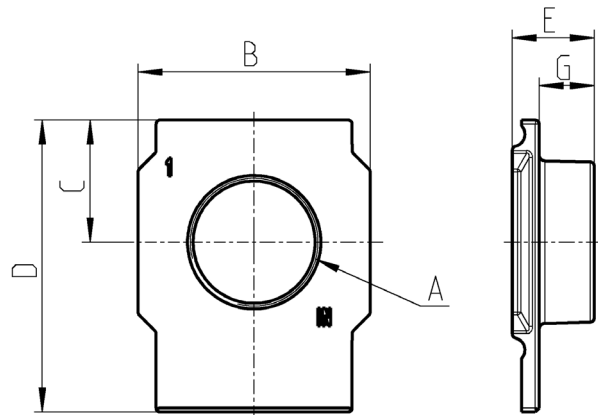
Mod.	A	B	C	D	E	F	G	H	I	L	M	N	O	P	R
MX2-Y	5,2	12	46	14	73,5	32,5	70,5	37	70,5	103	12	6,5	42	152	4
MX3-Y	6,2	14	54	16,5	86	40	77	43,5	68	105	15	8,4	50,5	181	4,5

Terminal flanges (IN/OUT)



Supplied with:
 1x flange INLET side
 1x flange OUTLET side

Materials:
 painted aluminium flanges.

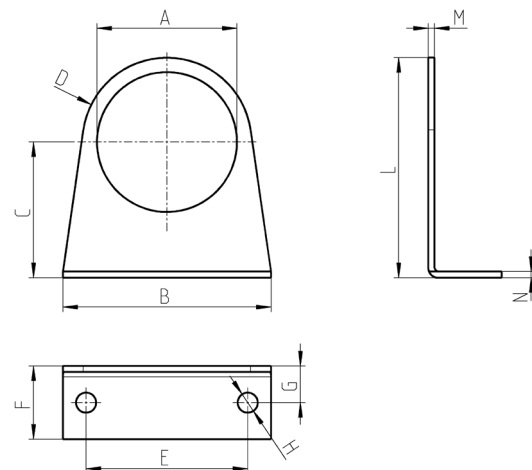


Mod.	A	B	C	D	E	G
MX2-3/8-FL	G3/8	50	26,5	63,5	17	11
MX2-1/2-FL	G1/2	50	26,5	63,5	17	11
MX2-3/4-FL	G3/4	50	26,5	63,5	17	11
MX3-3/4-FL	G3/4	58	30,5	73	20,5	13,5
MX3-1-FL	G1	58	30,5	73	20,5	13,5

Fixing bracket for regulators



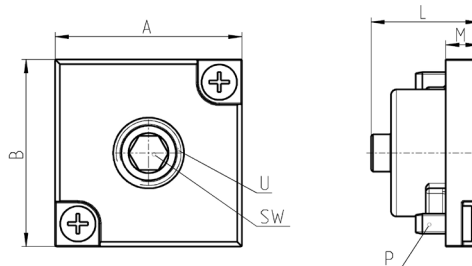
Supplied with:
 1x zinc-plated steel bracket



Mod.	A	B	C	D	E	F	G	H	L	M	N
MX2-S	Ø47,2	73	60,5	R29,5	54	25	15	Ø6,2	90	2,5	2,5
MX3-S	Ø57,2	85	55,5	R34,5	66	30	15	Ø8,2	90	2,5	2,5

Block for pressure gauge fixing

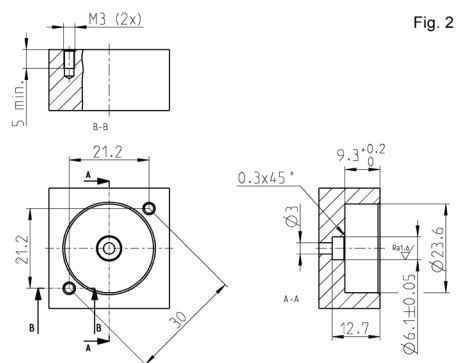
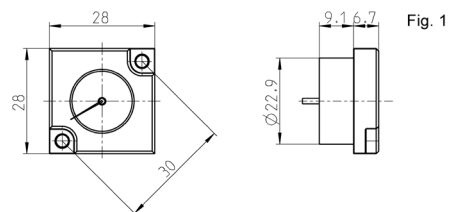

Supplied with:
 1x block
 1x grain
 2x screws
 1x seal



Mod.	A	B	L	M	P	U	SW
MX2-R26/1-P	28	28	16,5	5	M3x7	1/8	5
MX3-R26/1-P	28	28	16,5	5	M3x7	1/4	6

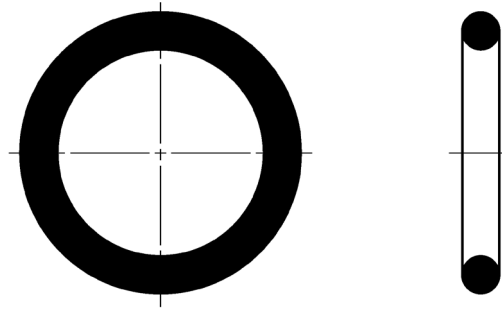
Built-in pressure gauge


Supplied with:
 1x pressure gauge
 1x seal
 2x screws



Mod.	Range
MX3-R34/W-P	0 ÷ 4 bar
MX3-R31/W-P	0 ÷ 6 bar
MX3-R32/W-P	0 ÷ 10 bar
MX3-R30/W-P	0 ÷ 12 bar

O-ring for assembling



Mod.	O-ring	For assembly
160-39-11/19	OR 3125	MX2
OR 38x2,8 NBR	OR 38x2,8	MX3

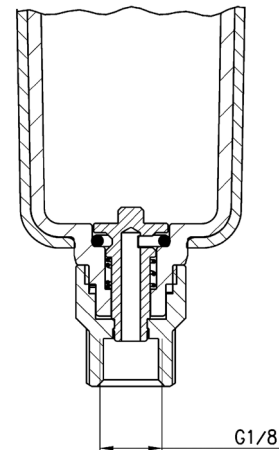
Semi-automatic manual drain Type 0



Assembled with **Filtering element 25µ**, **Filtering element 5µ**, **Filtering element 1µ**, **Filtering element 0.01µ**.

Functioning: with the operator mechanism turned clockwise, each time the pressure falls below 0,3 bar, the draining of condensate will be released; when resetting the pressure, the drain will close again.

The release can also be carried out manually; when the bowl is pressurised, the operator mechanism is pushed upwards.



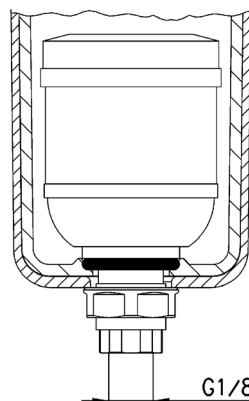
Mod. filter	Bowl with semiautomatic manual drain
N10...-F	N1-F71
N10...-D	N1-F71
N10...-FB	N1-F71
N20...-F	N2-F71
N20...-D	N2-F71
N20...-FB	N2-F71
MC104-F	MC1-F71
MC104-D	MC1-F71
MC104-FB	MC1-F71
MC202-F	MC2-F71
MC202-D	MC2-F71
MC202-FB	MC2-F71
MC238-F	MC2-F71
MC238-D	MC2-F71
MC238-FB	MC2-F71
MX2...-F	MX2-F2-P
MX2...FR	MX2-F2-P
MX2...-FC	MX2-F2-P
MX3...-F	MX3-F2-P
MX3...-FR	MX3-F2-P
MX3...-FC	MX3-F2-P
MD1-F0..	MD1-FSP01
MD1-F1..	MD1-FSP04
MD1-FR0..	MD1-FSP01
MD1-FR1..	MD1-FSP04
MD1-FC0..	MD1-FCSP01
MD1-FC1..	MD1-FCSP04

Automatic drain (Type 3)



Functioning: the presence of liquid inside the bowl raises the float, thus opening the exhaust valve.

Assembled with Filtering element 25µ, Filtering element 5µ, Filtering element 1µ, Filtering element 0.01µ.



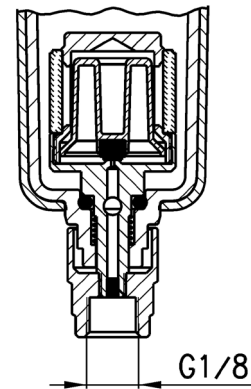
Mod. filter	Bowl with automatic drain
MC202-F	MC2-F71/3
MC202-D	MC2-F71/3
MC202-FB	MC2-F71/3
MC238-F	MC2-F71/3
MC238-D	MC2-F71/3
MC238-FB	MC2-F71/3
MX2...-F	MX2-F2/1-P
MX2...FR	MX2-F2/1-P
MX2...-FC	MX2-F2/1-P
MX3...-F	MX3-F2/1-P
MX3...-FR	MX3-F2/1-P
MX3...-FC	MX3-F2/1-P
MD1-F0..	MD1-FSP08
MD1-F1..	MD1-FSP07
MD1-FR0..	MD1-FSP08
MD1-FR1..	MD1-FSP07

Depressurisation drain, protected (Type 5)



Solution similar to the Type 4 but requiring a $\Delta P = 1$ bar.

Functioning: this version has a filtering element which prevents any impurities from clogging the exhaust hole.



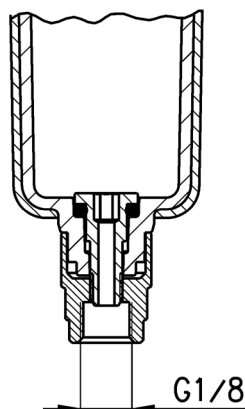
Assembled with Filtering element 25 μ , Filtering element 5 μ , Filtering element 1 μ , Filtering element 0.01 μ .

Mod. filter	Bowl with depressurization drain, protected
N20...-F	N2-F71/1
N20...-D	N2-F71/1
N20...-FB	N2-F71/1
MC104-F	MC1-F71/1
MC104-D	MC1-F71/1
MC104-FB	MC1-F71/1
MC202-F	MC2-F71/1
MC202-D	MC2-F71/1
MC202-FB	MC2-F71/1
MC238-F	MC2-F71/1
MC238-D	MC2-F71/1
MC238-FB	MC2-F71/1
MX2...-F	MX2-F2/3-P
MX2...FR	MX2-F2/3-P
MX2...FC	MX2-F2/3-P
MX3...-F	MX3-F2/3-P
MX3...FR	MX3-F2/3-P
MX3...FC	MX3-F2/3-P
MD1-F0..	MD1-FSP03
MD1-F1..	MD1-FSP06
MD1-FR0..	MD1-FSP03
MD1-FR1..	MD1-FSP06
MD1-FC0..	MD1-FCSP03
MD1-FC1..	MD1-FCSP06

Bowl without drain (Type 8)



The solution with port G1/8 is used to assemble the items to the bowl which is realized with a through hole of $\varnothing 3$ mm and a threaded port G1/8.



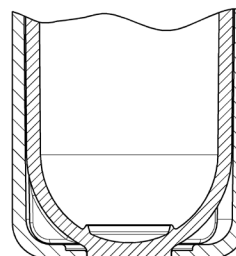
Assembled with Filtering element 25 μ , Filtering element 5 μ , Filtering element 1 μ , Filtering element 0.01 μ .

Mod. filter	Bowl without drain (1/8 port)
N10...-F	N1-F71-1/8
N10...-D	N1-F71-1/8
N10...-FB	N1-F71-1/8
N20...-F	N2-F71-1/8
N20...-D	N2-F71-1/8
N20...-FB	N2-F71-1/8
MC104-F	MC1-F71-1/8
MC104-D	MC1-F71-1/8
MC104-FB	MC1-F71-1/8
MC202-F	MC2-F71-1/8
MC202-D	MC2-F71-1/8
MC202-FB	MC2-F71-1/8
MC238-F	MC2-F71-1/8
MC238-D	MC2-F71-1/8
MC238-FB	MC2-F71-1/8
MX2...-F	MX2-F2/2-P
MX2...FR	MX2-F2/2-P
MX2...-FC	MX2-F2/2-P
MX3...-F	MX3-F2/2-P
MX3...-FR	MX3-F2/2-P
MX3...-FC	MX3-F2/2-P
MD1-F0..	MD1-FSP02
MD1-F1..	MD1-FSP05
MD1-FR0..	MD1-FSP02
MD1-FR1..	MD1-FSP05
MD1-FC0..	MD1-FCSP02
MD1-FC1..	MD1-FCSP05

Closed bowl



Assembled with Activated carbon filter.



Mod. filter	Closed bowl
N20...-FCA	N2-L71
MC104-FCA	MC1-L71
MC202-FCA	MC2-L71
MC238-FCA	MC2-L71
MX2...-FCA	MX2-L2-P
MX3...-FCA	MX3-L2-P
MD1-FCA..	MD1-FCASP01

Coalescing filters



Assembled with Semi-automatic manual drain, Automatic drain, Depressurisation drain, Depressurisation drain protected, Bowl without drain.

Mod. filter	Filtering element 0.01 μ
N10...-FB	MX1-F10
N20...-FB	MX1-F10
MC104-FB	MX1-F10
MC202-FB	MX2-F10
MC238-FB	MX2-F10
MX2...-FC	MX2-F10
MX3...-FC	MX3-F10
MD1-FC0.. *	MD1-F10

Coalescing filters



Assembled with Semi-automatic manual drain, Automatic drain, Depressurisation drain protected, Bowl without drain.

Mod. filter	Filtering element 1 μ
MX2...-FC	MX2-F9
MX3...-FC	MX3-F9
MD1-FC1.. *	MD1-F9

Surface filters



Assembled with Semi-automatic manual drain, Automatic drain, Depressurisation drain, Depressurisation drain protected, Bowl without drain.

Mod. filter	Filtering element 25 µ
N10...-F	C104-F20/3
N10...-D	C104-F20/3
N20...-F	C104-F20/3
N20...-D	C104-F20/3
MC104-F	C104-F20/3
MC104-D	C104-F20/3
MC202-F	C238-F11/3
MC202-D	C238-F11/3
MC238-F	C238-F11/3
MC238-D	C238-F11/3
MX2...-F	C238-F11/3
MX2...FR	C238-F11/3
MX3...-F	MX3-F7
MX3...-FR	MX3-F7
MD1-F0..*	C104-F20/3
MD1-FR0..*	C104-F20/3

Surface filters



Assembled with Semi-automatic manual drain, Automatic drain, Depressurisation drain, Depressurisation drain protected, Bowl without drain.

Mod. filter	Filtering element 5 µ
N10...-F	C104-F21/3
N10...-D	C104-F21/3
N20...-F	C104-F21/3
N20...-D	C104-F21/3
MC104-F	C104-F21/3
MC104-D	C104-F21/3
MC202-F	C238-F12/3
MC202-D	C238-F12/3
MC238-F	C238-F12/3
MC238-D	C238-F12/3
MX2...-F	C238-F12/3
MX2...FR	C238-F12/3
MX3...-F	MX3-F8
MX3...-FR	MX3-F8
MD1-F1..*	C104-F21/3
MD1-FR1..*	C104-F21/3

Activated carbon filter



Assembled with Closed bowl.

Mod. filter	Activated carbon
N20...-FCA	MX1-F11
MC104-FCA	MX1-F11
MC202-FCA	MX2-F11
MC238-FCA	MX2-F11
MX2..-FCA	MX2-F11
MX3..-FCA	MX3-F11
MD1-FCA..* ^o	MD1-F11