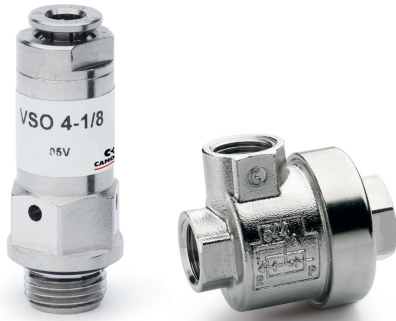


QUICK EXHAUST VALVES

SERIES VSO, VSC

Series VSO ports: M5, G1/8, cartridge $\varnothing 4$
 Series VSC ports: G1/8, G1/4, G1/2



- Suitable to rapidly discharge air contained in tanks, systems or cylinder chamber
- Threaded versions and with fitting

Series VSC and VSO quick exhaust valves are commonly used to increase the speed of cylinders or for rapid depressurisation of tanks containing compressed air.

Mod. VSO 425-M5, VSO 426-04: they are particularly suitable to be mounted on solenoid valves and valves incorporating a $\varnothing 4$ cartridge.

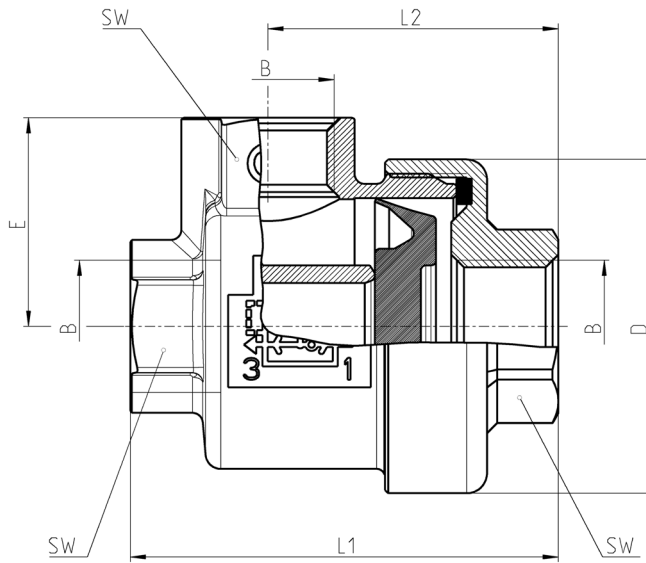
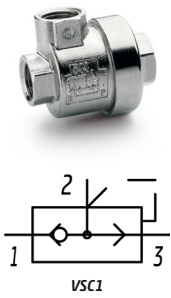
Mod. VSO 4-1/8: it is particularly suitable for direct mounting on the actuator connection. The air coming in from the jointed part (1) is used by the threaded side (2), whilst the exhaust (3) passes through the holes sideways to the valve body.

Mod. VSC: they are particularly suitable to be mounted directly on the cylinder mouth through the use of a nipple. It is recommended to mount a silencer on the outlet.

General Data

Valve group	Automatic valves
Construction	Poppet-type
Materials	Series VSO: brass body - NBR seals Series VSC: brass body - Desmopan seal
Mounting	In any position
Ports	Series VSO: M5, G1/8, cartridge $\varnothing 4$ Serie VSC: G1/8, G1/4, G1/2
Operating temperature	0°C ÷ 80°C (with dry air -20°C)
Operating pressure	VSO: 0,5 ÷ 16 bar, VSC: 0,2 ÷ 12 bar
Fluid	Filtered air, without lubrication. If lubricated air is used, it is recommended to use ISO VG32 oil. Once applied the lubrication should never be interrupted.

Series VSC quick exhaust valves



Mod.	B	D	E	L1	L2	SW	Ports	Medium inlet flow rate 1 > 2 [flow at 6 bar, ΔP 1 bar] (NI/min)	Medium exhaust flow rate 2 > 3 [flow at 6 bar, ΔP 1 bar] (NI/min)	Min. operating pressure (bar)	Max working pressure (bar)
VSC 588-1/8	1/8	28	17,5	36,5	25	14	G1/8	630	940	0,5	12
VSC 544-1/4	1/4	33	20,5	42	28,5	17	G1/4	860	1600	0,3	12
VSC 522-1/2	1/2	43	27	57,5	39,5	24	G1/2	4700	6250	0,2	12