

Product information

25 26 160

Snipe Nose Side Cutting Pliers (Radio Pliers)

DIN ISO 5745 IEC 60900 DIN EN 60900

- Half-round, long, tapered jaws
- Suitable for finer gripping and cutting work, also on easy and semi-difficult to reach areas
- Knurled gripping surfaces
- With cutting edges for soft, medium-hard and hard wire
- Cutting edges additionally induction-hardened, cutting edge hardness approx. 61 HRC

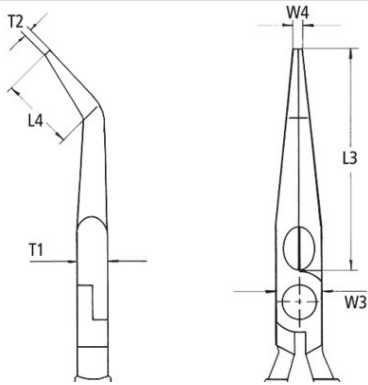


⚡ 1000 V   40° ⊖

General	
Article No.	25 26 160
EAN	4003773052111
Pliers	chrome-plated
Head	chrome-plated
Handles	insulated with multi-component grips, VDE-tested
Weight	144 g
Dimensions	160 x 51 x 18 mm
Standard	DIN ISO 5745 DIN EN 60900 IEC 60900
REACH compliant	does not contain SVHC
RoHS compliant	not applicable

Technical details	
Cutting capacities medium hard wire (diameter)	Ø 2.5 mm
Schneidwerte harter Draht (Durchmesser)	Ø 1.6 mm
Jaw thickness (joint) (T1)	9.0 mm
Tips width (W4)	3.0 mm
Tips thickness (T2)	2.5 mm
Jaw length (L3)	50.0 mm
Head width (W3)	16.5 mm
Gripping surface length (L4)	23 mm

Technical details



technical change and errors excepted