

VALVES AND SOLENOID VALVES

SERIES NA

3/2 - 5/2 - 5/3-way CC CO CP
with holes configured according NAMUR standards



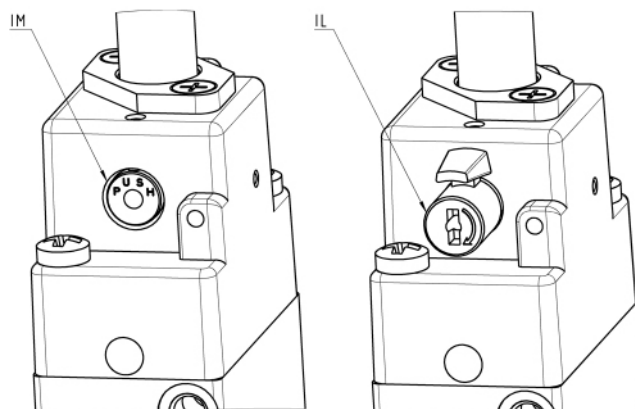
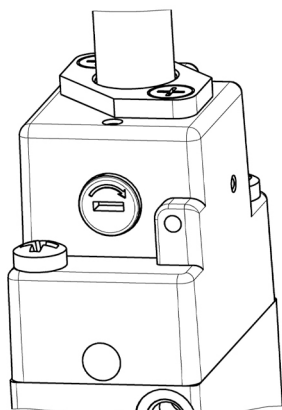
The pneumatic interface connection complies with NAMUR standards.
These solenoid valves can be equipped with solenoids that are in compliance with UL or ATEX standards.

General Data

Construction	Spool type (servo-pilot operated)
Valve functions	3/2-way NC, NO - 5/2-way - 5/3-way CC, CO, CP
Materials	AL body - stainless steel spool - NBR seals
Mounting	Through 2 Ø5 holes in the valve body
Ports	2 - 4 = NAMUR 1 - 3 - 5 = G1/4
Installation	Directly on a Namur Interface
Operating temperature	0 ÷ 60°C (using dry air -20°C)
Operating pressure	1,5 - 10 bar double solenoid 2,5 - 10 bar single solenoid
Nominal pressure	6 bar
Nominal flow	Qn = 1300 NL/min
Nominal diameter Ø [mm]	8 mm
Fluid	Filtered air without lubrication. If lubricated air is used, it is recommended to use ISOVG32 oil, and to never interrupt the lubrication.

VALVES AND SOLENOID VALVES
SERIES NA - CODING EXAMPLES
Coding Example

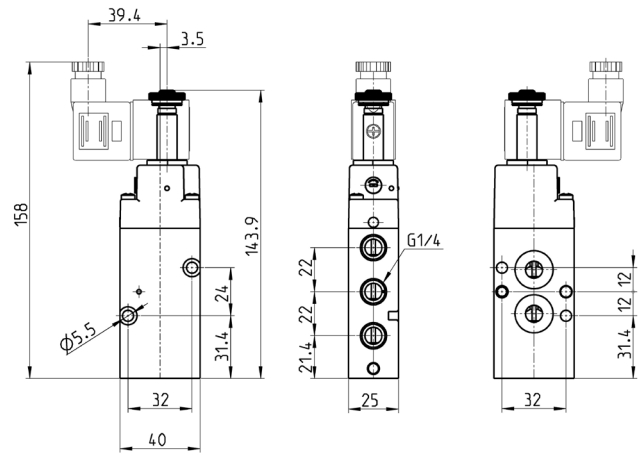
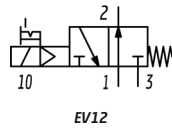
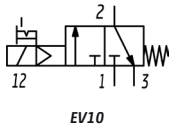
NA	5	4N	-	15	-	02	IL	-	U7	7
NA	SERIES NAMUR									
5	NUMBER OF WAYS - POSITIONS 3 = 3/2 NC 4 = 3/2 NO 5 = 5/2 6 = 5/3 CC 7 = 5/3 CO 8 = 5/3 CP									
4N	PORTS 4N = G1/4 supply Ports according NAMUR standards									
15	ACTUATION 11 = Double solenoid 15 = Single solenoid, spring return 33 = Pneumatic pneumatic 35 = Pneumatic, spring									
02	SOLENOID INTERFACE 02 = Mech. sol. 22 x 22									
IL	TYPE OF MANUAL OVERRIDE = Bistable, standard IL = Bistable, lever type (available on demand) IM = Monostable (available on demand)									
U7	SOLENOID MATERIAL/SOLENOID DIMENSIONS A8 = PPS/30 x 30 G7 = PA/22 x 22 G8 = PA/30 x 30 (24 V DC only) G9 = PA/22 x 58 H8 = Self-extinguishing PA, Explosion-proof/30 x 30 U7 = PET/22 x 22									
7	SOLENOID VOLTAGE									

Types of manual override


Example of solenoid valve with a bistable standard manual override.

Example of solenoid monostable valve (IM) and bistable valve with a lever type manual override (IL).

3/2-way solenoid valve NC and NO

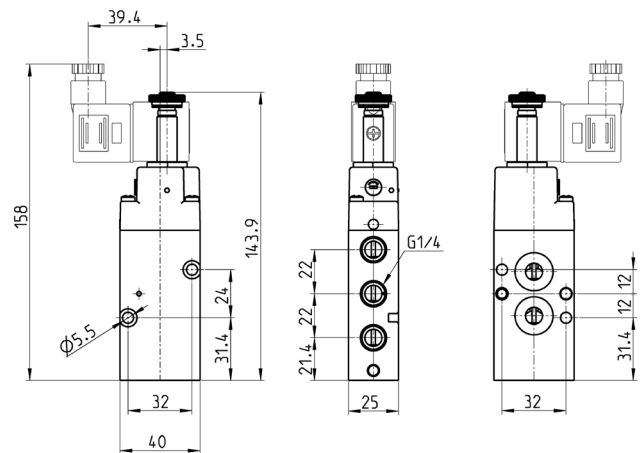
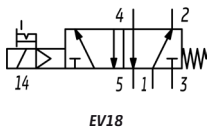


Mod.	Symbol
NA34N-15-02	EV10
NA44N-15-02	EV12

VALVES AND SOLENOID VALVES

6

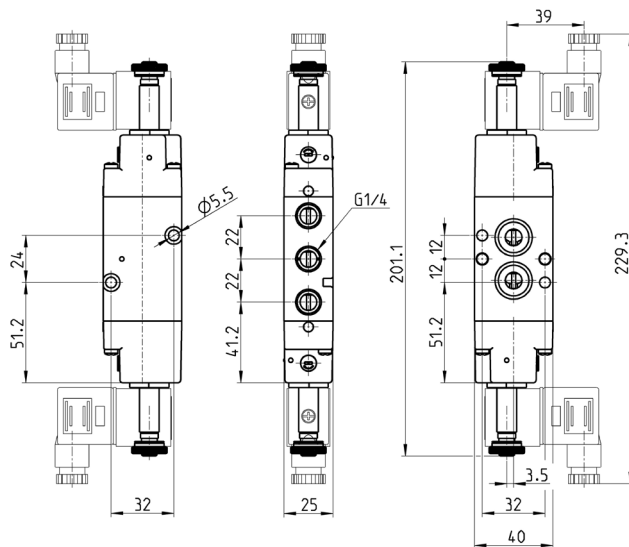
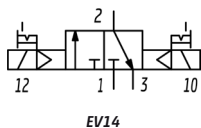
5/2-way solenoid valve, monostable



Mod.
NA54N-15-02

VALVES AND SOLENOID VALVES
SERIES NA - DIMENSIONS

3/2-way solenoid valve, bistable

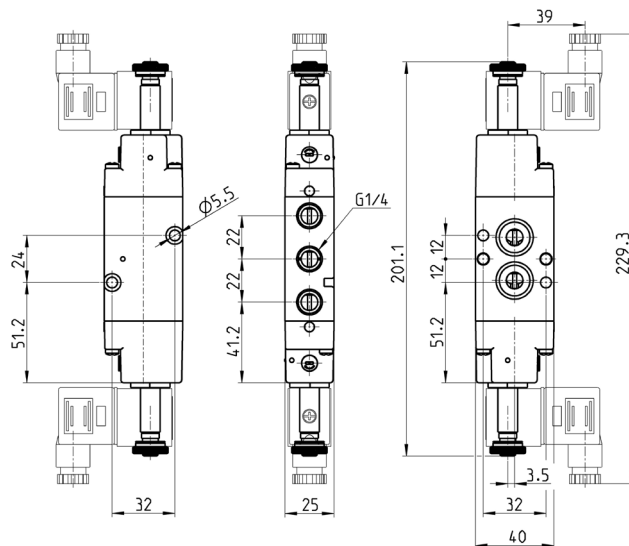
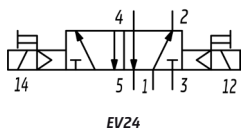


VALVES AND SOLENOID VALVES

6

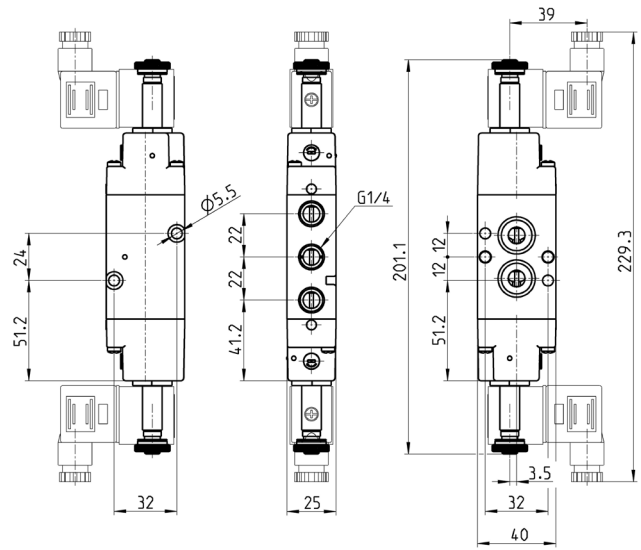
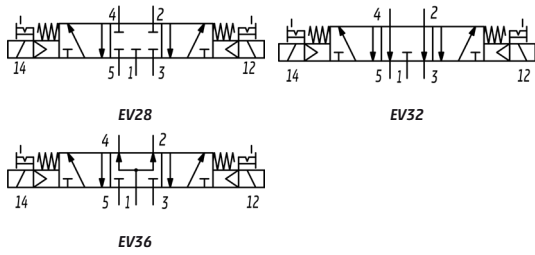
Mod.	
	NA34N-11-02

5/2-way, solenoid valve, bistable



Mod.	
	NA54N-11-02

5/3-way solenoid valve CC CO CP

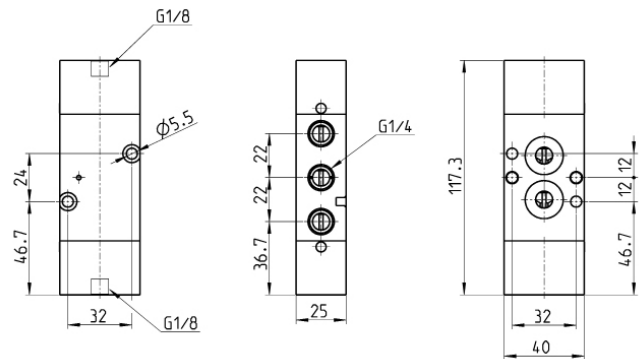


Mod.	Symbol
NA64N-11-02	EV28
NA74N-11-02	EV32
NA84N-11-02	EV36

VALVES AND SOLENOID VALVES

6

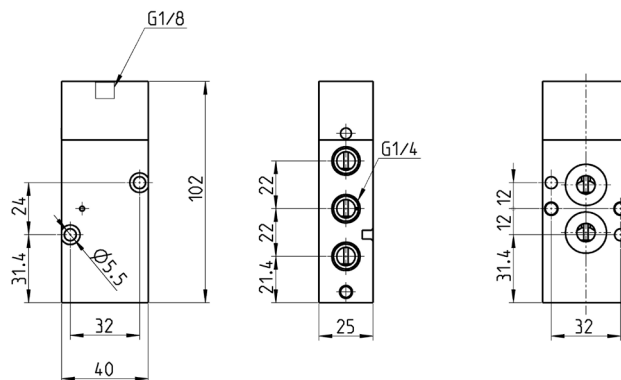
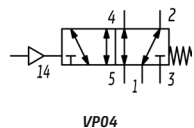
5/2-way pneumatic valve, bistable



Mod.
NA54N-33

VALVES AND SOLENOID VALVES
SERIES NA - DIMENSIONS

5/2-way pneumatic valve, monostable

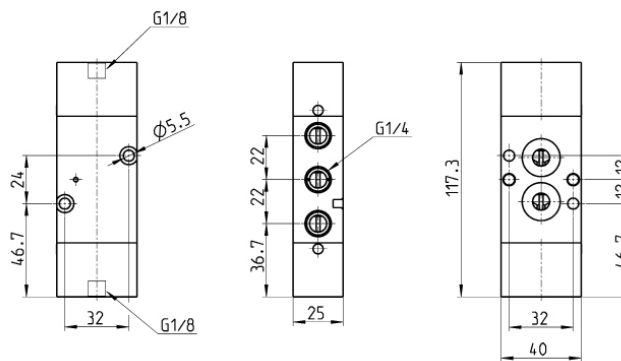
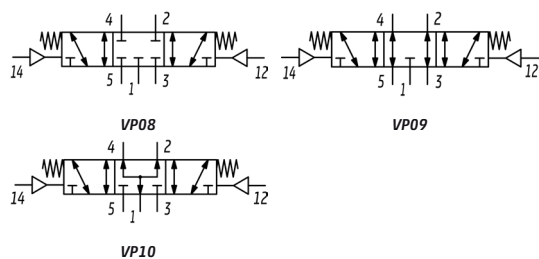


VALVES AND SOLENOID VALVES

6

Mod.	
NA54N-35	

5/3-way pneumatic valve CC CO CP



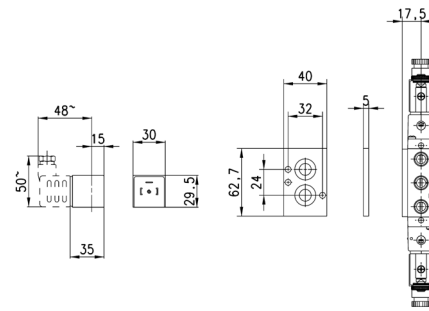
Mod.	Symbol
NA64N-33	VP08
NA74N-33	VP09
NA84N-33	VP10

Single subbase Mod. NA54-PC



Distance plate for the mounting of Series H8 solenoids

Supplied with:
2x screws
2x O-rings



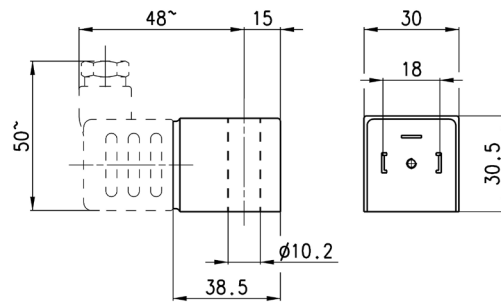
Mod.

NA54-PC

Solenoids Mod. A8...



Electrical connection: bipolar plus earth
Norm: DIN EN 175 301-803-A

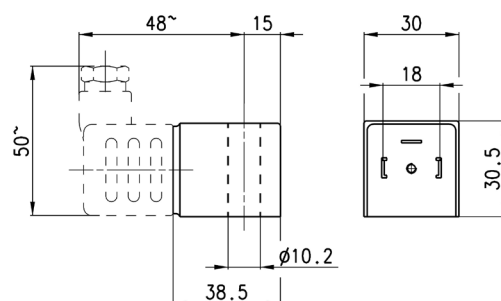


Mod.	Solenoid voltage	Power absorption
A8B	24V - 50/60Hz	5VA
A8D	110V - 50/60Hz	5VA
A8E	220V - 50/60Hz	5VA
A83	24V DC	4W

Solenoids Mod. G8...



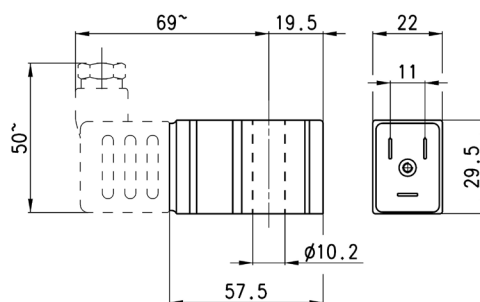
Electrical connection: bipolar plus earth
Norm: DIN EN 175 301-803-A



Mod.	Solenoid voltage	Power absorption
G83	24V DC	4W

VALVES AND SOLENOID VALVES
SERIES NA - DIMENSIONS
Solenoids Mod. G93 (with latching)


Electrical connection: bipolar plus earth
 Norm: DIN EN 175 301-803-B
 Voltage tolerance: $\pm 10\%$
 Pulsed operation (see description)



Mod.	Voltage	Minimum impulse latch/release	Consumption latch/release
G92	12 V DC	18 ms - 10 ms	200 mA - 160 mA
G93	24 V DC	18 ms - 10 ms	100 mA - 80 mA

Solenoid Mod. H8... for potentially explosive ambients

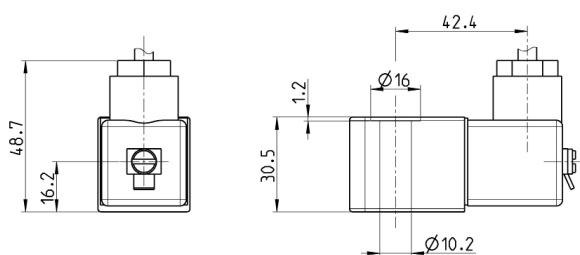
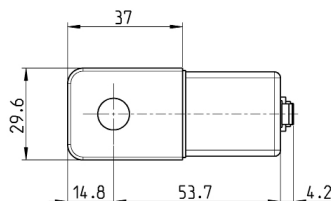

Certification in compliance with EN 60079-0 EN 60079-18

ATEX:
 II 2G Ex mb IICT4 Gb
 II 2D Ex mb IIIC T135°C Db
 I M2 Ex mb I Mb
 INERIS 06ATEX0002X

IECEx:
 Ex mb IIC T4 Gb
 Ex mb IIIC T135°C Db
 Ex mb I Mb
 IECEx IINE 15.0053X

For Series NA use plate mod. NA54- PC.

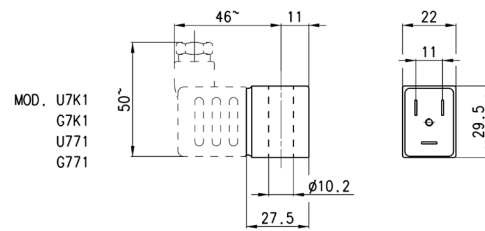
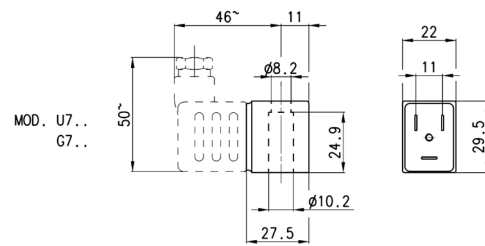
Temperature class/Max surface temperature: T4/135°C.
 Environment temperature: -20°C + 40°C.
 Connection: tripolar cable 3 m (other lengths on request).
 Incapsulating material: self-extinguishing PA.



Mod.	Solenoid voltage	Power absorption
H83I	24 V - DC	5,3 W
H8BI	24 V - 50/60 Hz	5,3 W
H8CI	48 V - 50/60 Hz	5,3 W
H8DI	110 V - 50/60 Hz	5,3 W
H8EI	230 V - 50/60 Hz	5,3 W

Solenoids Mod. U7... / U7*EX and Mod. G7...


Electrical connection: bipolar plus earth
 Norm: DIN EN 175 301-803-B
 Solenoid material: U7* = PET; G7* = PA
 To order the ATEX version of Mod. U7 (not available for Mod. U7F, U7K1 with voltage 125V 50/60Hz) it is necessary to add EX at the end of the code.
 Mod. U7*EX marked:
 II 3G Ex nA IIC T4 Gc X IP65
 II 3D Ex tc IIIC 130°C DcX



Mod.	Sol. volt. (1)	Pow. abs. (1)	Sol. volt. (2)	Pow. abs. (2)	Sol. volt. (3)	Pow. abs. (3)
U7H	12 V DC	3,1 W	24V - 50/60 Hz	3,5 VA		
G7H	12 V DC	3,1 W	24V - 50/60Hz	3,5 VA		
U7K	110V - 50/60Hz	3,8 VA	125V - 50/60Hz	5,5 VA	72 V DC	4,8 W
U7K1	110V - 50/60Hz	5,8 VA	125V - 50/60Hz	8,3 VA	72 V DC	5,6 W
G7K	110V - 50/60Hz	3,8 VA	125V - 50/60Hz	5,5 VA	72 V DC	4,8 W
G7K1	110V - 50/60Hz	5,8 VA	125V - 50/60Hz	8,3 VA	72 V DC	5,6 W
U7J	230V - 50/60Hz	3,5 VA	240V - 50/60Hz	4 VA		
G7J	230V - 50/60Hz	3,5 VA	240V - 50/60Hz	4 VA		
U79	48 V DC	3,1 W				
G79	48 V DC	3,1 W				
U710	110 V DC	3,2 W				
G710	110 V DC	3,2 W				
U77	24 V DC	3,1 W	48V - 50/60Hz	3,8 VA		
U771	24 V DC	3,1 W	48V - 50/60Hz	3,8 VA		
G77	24 V DC	3,1 W	48V - 50/60Hz	3,8 VA		
G771	24 V DC	3,1 W	48V - 50/60Hz	3,8 VA		
U7F	380V - 50/60Hz	7 VA				
U72	12 V DC	5 W				
G72	12 V DC	5 W				
U73	24 V DC	5 W				
G73	24 V DC	5 W				
U75	24 V DC	2,2 W				

Sol. volt. = Solenoid voltage

Pow. abs. = Power absorption

Mod. U7K1, G7K1, U771 and G771 are to be used only with sol. valves series A, NO in line.