

CYLINDERS ISO 15552

SERIES 63

Single and double-acting, magnetic, cushioned
 Ø 32, 40, 50, 63, 80, 100, 125 mm



The Series 63 pneumatic cylinders have been developed to guarantee high performance and versatility.

Thanks to a new system of adjustable pneumatic cushioning, the cylinders can always guarantee the best regulation whilst significantly reducing noise caused by the impact of the piston on the end block.

Besides the standard version, which can be used in many sectors, specific solutions have been developed for applications such as food processing, agriculture, in tensioning, dosing systems and dancer arms for winding applications.

There are also versions for demanding application environments, capable of withstanding extreme temperatures, corrosive atmospheres etc.

- In compliance with the ISO 15552 standard
- Weight reduced by 25%
- Low noise
- More accurate with fine regulation of cushioning
- Flexibility and versatility
- Versions available:
 - Low friction
 - Uniform movement (low speed)
 - High and low temperatures
 - Corrosion-resistant
 - Hydrolytic environment
 - Food and beverage
 - Lube-free operation
 - Dirty and dusty environments
 - Protective bellows
 - Back to back
 - Tandem and multi-position
 - With rod lock
 - Polyurethane coating
 - ATEX

General Data

Type of construction	Profile (with screws) and round tube (with tie-rods)
Design	ISO 15552
Operation	Single and double-acting
Type of mounting	With front / rear flange, foot mounting, with front / rear / centre / swivel trunnion
Stroke min - max	10 ÷ 2500 mm
Working temperature	Standard and low friction: 0°C ÷ 80°C (with dry air -20°C) High temperatures (version W): 0°C ÷ 150°C (with dry air -20°C) Low temperatures (version Z): -40°C ÷ 60°C (with dry air -40°C) Low temperatures (version Y): -50°C ÷ 60°C (with dry air -50°C)
Storage temperature	0°C ÷ 80°C (with dry air -20°C)
Working pressure	1 ÷ 10 bar (standard, high and low temperatures) 0,1 ÷ 10 bar (low friction)
Speed	10 ÷ 1000 mm/sec, no load (standard, high and low temperatures) 5 ÷ 1000 mm/sec, no load (low friction and uniform movement)
Fluid	Filtered air in class [7:8:4], according to ISO 8573-1. If lubricated air is used, it is recommended to use oil ISOVG32. Once applied the lubrication should never be interrupted.
Use with sensors	Model CSH

CYLINDERS ISO 15552
SERIES 63 - STROKES
Standard strokes for cylinders Series 63

- = Single-acting, front spring (standard and high temperatures);
- ▲ = Single-acting, rear spring (standard and high temperatures);
- ✕ = Double-acting (standard, low friction, high/low temperatures)

Other strokes up to 2500 mm are available on request.

∅	25	50	75	80	100	125	150	160	200	250	300	320	400	500
32	■ ▲ ✕	■ ▲ ✕	■ ✕	✕	✕	✕	✕	✕	✕	✕	✕	✕	✕	✕
40	■ ▲ ✕	■ ▲ ✕	■ ✕	✕	✕	✕	✕	✕	✕	✕	✕	✕	✕	✕
50	■ ▲ ✕	■ ▲ ✕	■ ✕	✕	✕	✕	✕	✕	✕	✕	✕	✕	✕	✕
63	■ ▲ ✕	■ ▲ ✕	■ ✕	✕	✕	✕	✕	✕	✕	✕	✕	✕	✕	✕
80	■ ▲ ✕	■ ▲ ✕	■ ✕	✕	✕	✕	✕	✕	✕	✕	✕	✕	✕	✕
100		■ ▲ ✕	■ ✕	✕	✕	✕	✕	✕	✕	✕	✕	✕	✕	✕
125		■ ▲ ✕	■ ✕	✕	✕	✕	✕	✕	✕	✕	✕	✕	✕	✕

Coding Example

63	M	P	2	C	050	A	0200	W
63	SERIES							
M	VERSION M = standard, magnetic V = uniform movement (no stick slip), magnetic L = low friction, magnetic							
P	CONSTRUCTION T = round tube P = profile							
2	OPERATION 1 = single-acting, front spring 2 = double-acting 6 = double-acting, through-rod 7 = single-acting, through-rod 9 = single-acting, rear spring					PNEUMATIC SYMBOLS CS07/CS18 CD08 - CD09 - CD10 - CD11 CD13 CS11 CS14/CS17		
C	CUSHIONING N = no cushioning (mechanical endstops) C = cushioning on both sides F = front cushioning R = rear cushioning					PNEUMATIC SYMBOLS CD08 CD09/CD13 CD11 CD10		
050	BORE 032 = 32 mm 040 = 40 mm 050 = 50 mm 063 = 63 mm					080 = 80 mm 100 = 100 mm 125 = 125 mm		
A	CONSTRUCTIVE TYPE A = standard with rod nut RL = cylinder with rod lock					DC = back to back cylinder with DC accessory [X1/X2] TR = back to back cylinder for round tube [X1/X2] F = cylinder with centre trunnion		
0200	STROKE = standard N = tandem / = more positions X1/X2 [X1<X2]							
W	TEMPERATURE RANGE = standard (-20°/+80°) W = high temperatures (150°C)					Z = low temperatures (-40°C) Y = low temperatures (-50°C)		
	RESISTANCE TO CORROSION = standard C1 = rod nut AISI 304 stainless steel, rod AISI 304 stainless steel C2 = end cap treated screws (profile) or AISI 303 tie-rods and AISI 420B tie-rods (round tube)					C3 = C2 + AISI 316 rod nut, AISI 316 rod C4 = C1 + C2 C5 = C3 + end caps with triple protection		
	ROD OPTIONS = Standard (male rod thread) F = Female rod thread							
	END CAP OPTIONS = Standard K = end caps with Kanigen treatment							
	SEAL OPTIONS = Standard L = without rod seal (rear air inlet only)* V = FKM rod seal R = NBR rod seal U = Unlubricated operation H = Hydrolyic environment A = Use in food and other frequent washdown applications							
	ROD SEAL PROTECTION OPTIONS = Standard G = Dry and dusty environments (with brass rod scraper and chrome-plated stainless steel AISI 420B rod)							
	BELLOWS PROTECTION OPTIONS = Standard B = Cylinder with NBR bellow rod protection							
	ROD LENGTH = Standard (_ _ _) = Rod extended with _ _ _ mm							
	PROTECTION OPTIONS = Standard P = PU coated cylinder. Colour: Grey RAL 7035 [available on request]							
	CERTIFICATIONS = Standard EX = ATEX (only for CONSTRUCTION type A)							

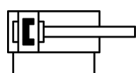
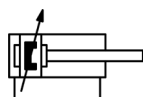
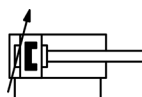
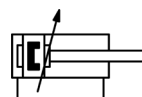
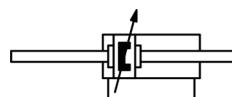
* Only for low friction

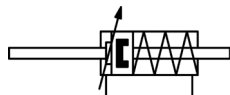
Pneumatic symbols

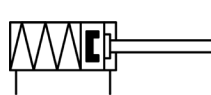
The pneumatic symbols which have been indicated in the Coding Example are shown below.

PNEUMATIC ACTUATION

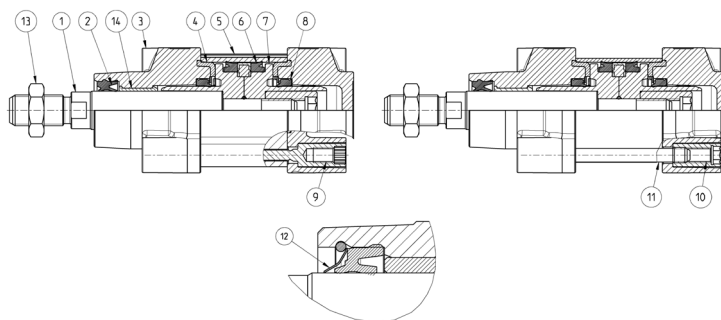
1

CD08

CD09

CD10

CD11

CD13

CS07

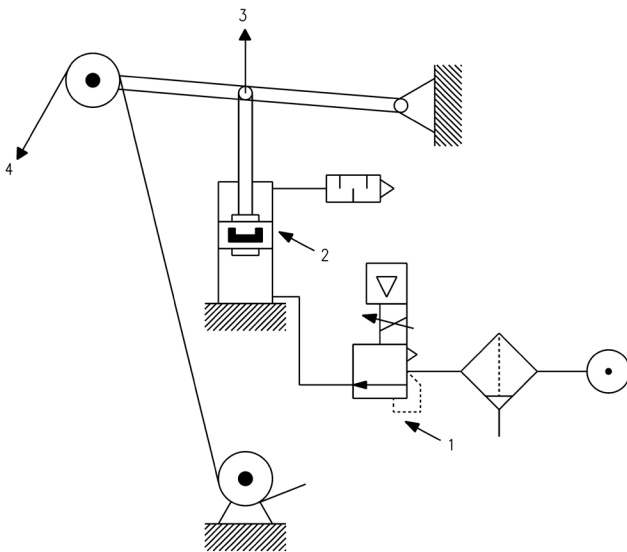
CS11

CS14

CS17

CS18

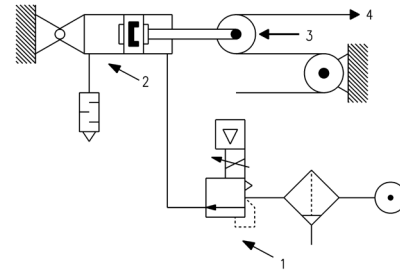

MATERIALS



	Standard, profile	Standard, round tube	Low friction (L)	Rod scraper (G)	Low temperatures (Z/Y)	High temperatures (W)	Resistance to corrosion (C1)
PARTS							
1 - Rod	AISI 420B	AISI 420B	AISI 420B	Chrome-plated AISI 420B	Chrome-plated AISI 420B	AISI 420B	AISI 304
2 - Rod seal	PU	PU	NBR	NBR	PU for -40°C/-50°C	FKM	PU
3 - End-block	Aluminium	Aluminium	Aluminium	Aluminium	Aluminium	Aluminium	Aluminium
4 - Counterbore seal	NBR	NBR	NBR	NBR	NBR for -40°C/-50°C	FKM	NBR
5 - Extruded profile	Anodized aluminium	Anodized aluminium	Anodized aluminium	Anodized aluminium	Anodized aluminium	Anodized aluminium	Anodized aluminium
6 - Piston seal	PU	PU	NBR	PU	PU for -40°C/-50°C	FKM	PU
7 - Piston	Technopolymer (Ø32) or Aluminium (Ø40 ÷ 125)	Aluminium (Ø125) or Technopolymer (Ø32 ÷ 100)	Aluminium	Aluminium	Aluminium	Aluminium	Aluminium
8 - Cushion seal	PU	PU	PU	PU	PU	FKM	PU
9 - Self-tapping screw	Zinc-plated steel	-	Zinc-plated steel	Zinc-plated steel	Zinc-plated steel	Zinc-plated steel	Zinc-plated steel
10 - Tie-rod nut	-	Zinc-plated steel	Zinc-plated steel	Zinc-plated steel	AISI 303	Zinc-plated steel	Zinc-plated steel
11 - Tie-rod	-	Zinc-plated steel	Zinc-plated steel	Zinc-plated steel	AISI 420B	Zinc-plated steel	Zinc-plated steel
12 - Rod scraper	-	-	-	Brass	Brass	-	-
13 - Rod nut	Zinc-plated steel	Zinc-plated steel	Zinc-plated steel	Zinc-plated steel	AISI 304	Zinc-plated steel	AISI 304
14 - Rod guide bush	Technopolymer	Technopolymer	Technopolymer	Technopolymer	Technopolymer	Steel + PTFE	Technopolymer

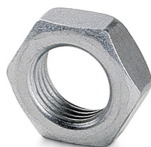
Series 63 low friction cylinders - APPLICATION EXAMPLES

CYLINDER IN THRUST
DRAWING NOTES:

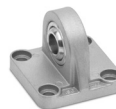
1. Precision pressure regulator or proportional regulator
2. Low friction cylinder
3. Force direction
4. Band


CYLINDER IN TRACTION

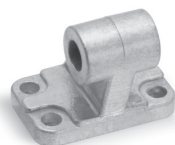
Note: in order to reach the highest performance, it is recommended to connect a precision pressure regulator or a proportional regulator with the low friction cylinder as shown in the drawing.

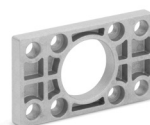
Series 63 cylinders accessories
**Piston rod socket joint
Mod. GY**

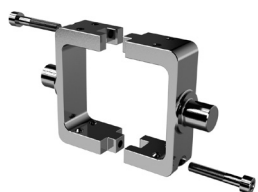
**Piston rod lock nut
Mod. U**

Clevis pin Mod. S

**Rear trunnion ball-joint
Mod. R**

**Coupling piece Mod.
GKF**

**Swivel ball joint Mod.
GA**

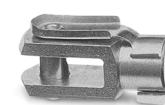
**90° male trunnion Mod.
ZC**

**Swivel Combination
Mod. C+L+S**

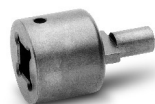
**Front and rear flange
Mod. D-E**

**Self aligning rod Mod.
GK**

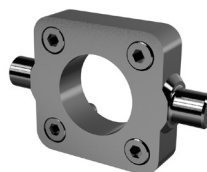
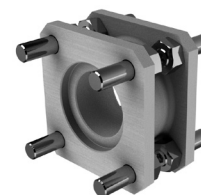
**Centre trunnion Mod.
F-63, profile cyl.**

**Foot mount Mod.
B-41**

**Front female trunnion
Mod. H and C-H**

**Rear female trunnion
Mod. C and C-H**

Rod fork end Mod. G

**Rear trunnion male
Mod. L**

**Disassemble cyl. key
Ø 80 and 100, round
tube**

**Counter bracket for
trunnion Mod. BF**

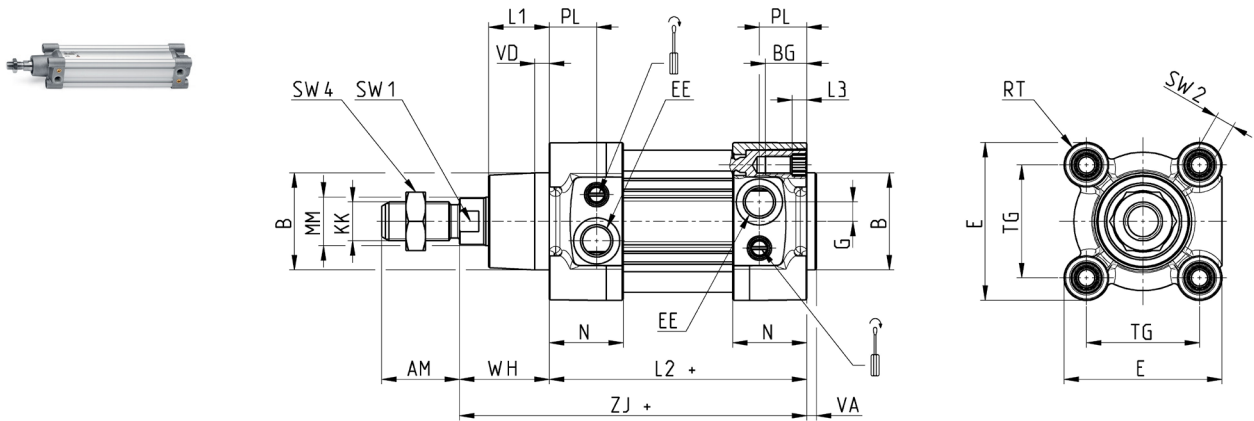
**Front/rear spot faced
trunnion Mod. FN**

**Opposed cylinder
coupler Mod. DC-63**

**Centre trunnion Mod. F,
round tube cyl.**

**Accessory to mount
valves on the
cylinder**


All accessories are supplied separately, except for piston rod lock nut Mod. U

Series 63 cylinders - profile, double-acting

Versions: 63MP2... 63LP2... and 63VP2...

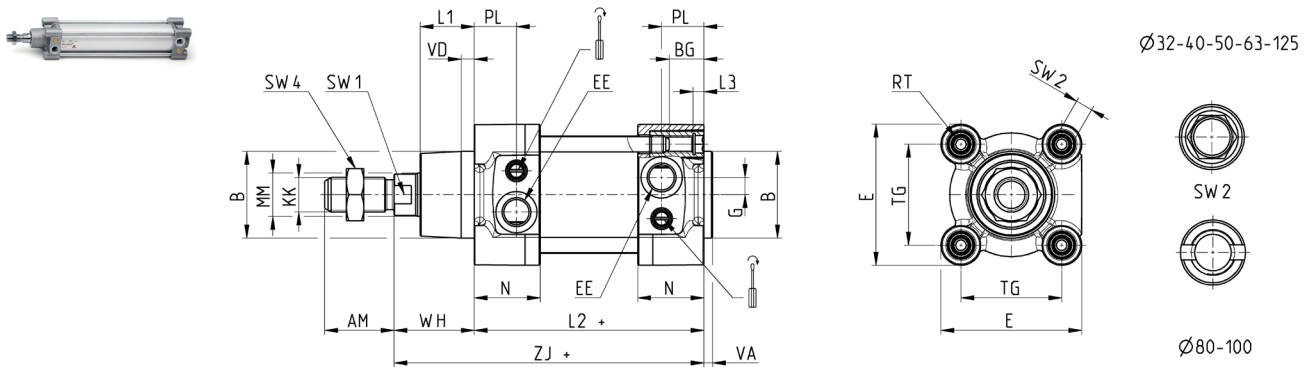


+ = add the stroke

Ø	MM	KK	B	PL	L1	AM	VA	EE	WH	L2 +	L3	ZJ +	VD	N	BG	RT	G	TG	E	SW1	SW2	SW4	Front/rear cushion stroke
32	12	M10x1,25	30	18,5	18	22	4	G1/8	26	94	5,5	120	5	27	16	M6	5	32,5	47	10	6	17	17
40	16	M12x1,25	35	19	21	24	4	G1/4	30	105	5,5	135	5	30	16	M6	5	38	55	13	6	19	18
50	20	M16x1,5	40	19,5	25	32	4	G1/4	37	106	6	143	6	30,5	16	M8	8	46,5	65	17	8	24	20
63	20	M16x1,5	45	24	26	32	4	G3/8	37	121	6	158	6	37,5	16	M8	8	56,5	75	17	8	24	22
80	25	M20x1,5	45	23,5	30	40	4	G3/8	46	128	0	174	7	37	19	M10	8	72	93	22	6	30	25
100	25	M20x1,5	55	24	35	40	4	G1/2	51	138	0	189	7	39,5	19,5	M10	8	89	110	22	6	30	26
125	32	M27x2	60	28	42	54	6	G1/2	65	160	6	225	8	44	23	M12	10,5	110	135	27	12	41	33

Series 63 cylinders - round tube, double-acting

Versions: 63MT2... 63LT2... and 63VT2...

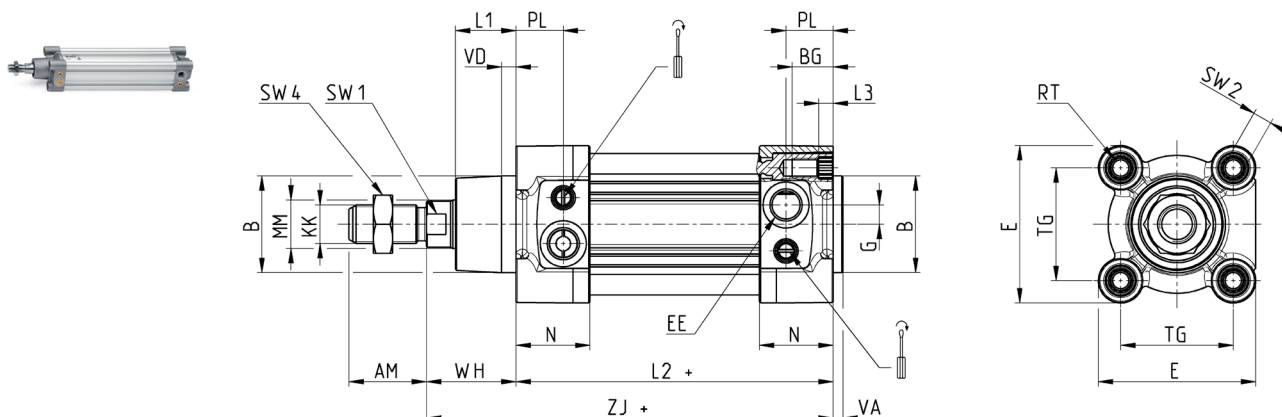


+ = add the stroke

Ø	MM	KK	B	PL	L1	AM	VA	EE	WH	L2 +	L3	ZJ +	VD	N	BG	RT	G	TG	E	SW1	SW2	SW4	Front/rear cushion stroke
32	12	M10x1,25	30	18,5	18	22	4	G1/8	26	94	5	120	5	27	16	M6	5	32,5	47	10	6	17	17
40	16	M12x1,25	35	19	21	24	4	G1/4	30	105	5	135	5	30	16	M6	5	38	55	13	6	19	18
50	20	M16x1,5	40	19,5	25	32	4	G1/4	37	106	5	143	6	30,5	16	M8	8	46,5	65	17	8	24	20
63	20	M16x1,5	45	24	26	32	4	G3/8	37	121	5	158	6	37,5	16	M8	8	56,5	75	17	8	24	22
80	25	M20x1,5	45	23,5	30	40	4	G3/8	46	128	0	174	7	37	19	M10	8	72	93	22	*	30	25
100	25	M20x1,5	55	24	35	40	4	G1/2	51	138	0	189	7	39,5	19,5	M10	8	89	110	22	*	30	26
125	32	M27x2	60	28	42	54	6	G1/2	65	160	6	225	8	44	23	M12	10,5	110	135	27	12	41	33

Series 63 cylinders - profile, single-acting, front spring

Versions: 63MP1...

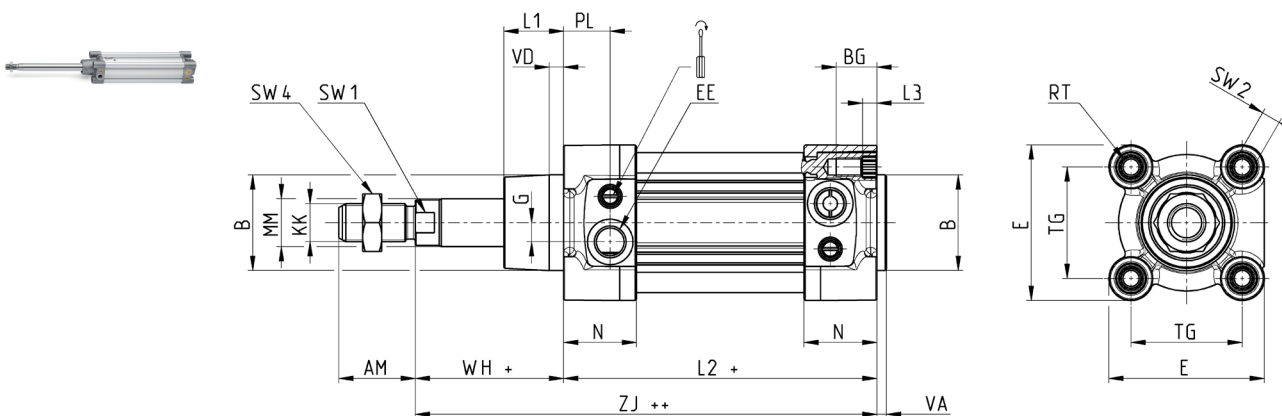


+ = add the stroke

Ø	g	MM	KK	g	B	PL	L1	AM	VA	EE	WH	L2 +	L3	ZJ +	VD	N	BG	RT	G	TG	E	SW1	SW2	SW4	front/rear cushion stroke
32	12	M10x1,25	30	18,5	18	22	4	G1/8	26	119	5,5	145	5	27	16	M6	5	32,5	47	10	6	17	17		
40	16	M12x1,25	35	19	21	24	4	G1/4	30	130	5,5	160	5	30	16	M6	5	38	55	13	6	19	18		
50	20	M16x1,5	40	19,5	25	32	4	G1/4	37	131	6	168	6	30,5	16	M8	8	46,5	65	17	8	24	20		
63	20	M16x1,5	45	24	26	32	4	G3/8	37	146	6	183	6	37,5	16	M8	8	56,5	75	17	8	24	22		
80	25	M20x1,5	45	23,5	30	40	4	G3/8	46	153	0	199	7	37	19	M10	8	72	93	22	6	30	25		
100	25	M20x1,5	55	24	35	40	4	G1/2	51	163	0	214	7	39,5	19,5	M10	8	89	110	22	6	30	26		
125	32	M27x2	60	28	42	54	6	G1/2	65	185	6	250	8	44	23	M12	10,5	110	135	27	12	41	33		

Series 63 cylinders - profile, single-acting, rear spring

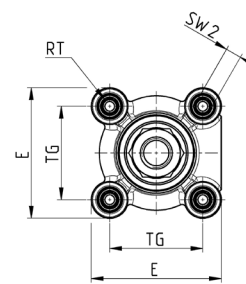
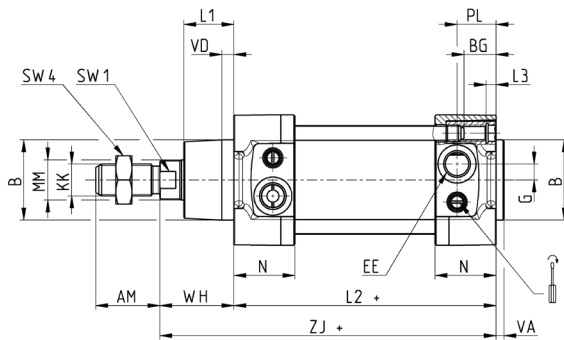
Versions: 63MP9...


 += add the stroke
 ++ = add the stroke twice

Ø	g	MM	KK	g	B	PL	L1	AM	VA	EE	WH +	L2 +	L3	ZJ ++	VD	N	BG	RT	G	TG	E	SW1	SW2	SW4	front/rear cushion stroke
32	12	M10x1,25	30	18,5	18	22	4	G1/8	51	119	5,5	170	5	27	16	M6	5	32,5	47	10	6	17	17		
40	16	M12x1,25	35	19	21	24	4	G1/4	55	130	5,5	185	5	30	16	M6	5	38	55	13	6	19	18		
50	20	M16x1,5	40	19,5	25	32	4	G1/4	62	131	6	193	6	30,5	16	M8	8	46,5	65	17	8	24	20		
63	20	M16x1,5	45	24	26	32	4	G3/8	62	146	6	208	6	37,5	16	M8	8	56,5	75	17	8	24	22		
80	25	M20x1,5	45	23,5	30	40	4	G3/8	71	153	0	224	0	37	19	M10	8	72	93	22	6	30	25		
100	25	M20x1,5	55	24	35	40	4	G1/2	76	163	0	239	0	39,5	19,5	M10	8	89	110	22	6	30	26		
125	32	M27x2	60	28	42	54	6	G1/2	90	185	6	275	6	44	23	M12	10,5	110	135	27	12	41	33		

Series 63 cylinders - round tube, single-acting, front spring

Versions: 63MT1...



Ø32-40-50-63-125



Ø80-100

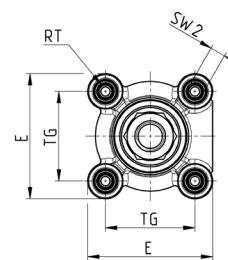
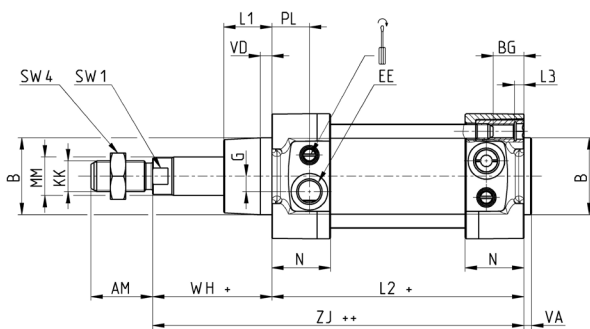
+ = add the stroke

Table note:
* = special key 80-62/8C
(see accessories)

Ø	MM	KK	B	PL	L1	AM	VA	EE	WH	L2+	L3	ZJ+	VD	N	BG	RT	G	TG	E	SW1	SW2	SW4	front/rear cushion stroke
32	12	M10x1,25	30	18,5	18	22	4	G1/8	26	119	5	145	5	27	16	M6	5	32,5	47	10	6	17	17
40	16	M12x1,25	35	19	21	24	4	G1/4	30	130	5	160	5	30	16	M6	5	38	55	13	6	19	18
50	20	M16x1,5	40	19,5	25	32	4	G1/4	37	131	5	168	6	30,5	16	M8	8	46,5	65	17	8	24	20
63	20	M16x1,5	45	24	26	32	4	G3/8	37	146	5	183	6	37,5	16	M8	8	56,5	75	17	8	24	22
80	25	M20x1,5	45	23,5	30	40	4	G3/8	46	153	0	199	7	37	19	M10	8	72	93	22	*	30	25
100	25	M20x1,5	55	24	35	40	4	G1/2	51	163	0	214	7	39,5	19,5	M10	8	89	110	22	*	30	26
125	32	M27x2	60	28	42	54	6	G1/2	65	185	6	250	8	44	23	M12	10,5	110	135	27	12	41	33

Series 63 cylinders - round tube, single-acting, rear spring

Versions: 63MT9...



Ø32-40-50-63-125



Ø80-100

+ = add the stroke

Table note:
* = special key 80-62/8C
(see accessories)

Ø	MM	KK	B	PL	L1	AM	VA	EE	WH+	L2+	L3	ZJ++	VD	N	BG	RT	G	TG	E	SW1	SW2	SW4	front/rear cushion stroke
32	12	M10x1,25	30	18,5	18	22	4	G1/8	51	119	5	170	5	27	16	M6	5	32,5	47	10	6	17	17
40	16	M12x1,25	35	19	21	24	4	G1/4	55	130	5	185	5	30	16	M6	5	38	55	13	6	19	18
50	20	M16x1,5	40	19,5	25	32	4	G1/4	62	131	5	193	6	30,5	16	M8	8	46,5	65	17	8	24	20
63	20	M16x1,5	45	24	26	32	4	G3/8	62	146	5	208	6	37,5	16	M8	8	56,5	75	17	8	24	22
80	25	M20x1,5	45	23,5	30	40	4	G3/8	71	153	0	224	7	37	19	M10	8	72	93	22	*	30	25
100	25	M20x1,5	55	24	35	40	4	G1/2	76	163	0	239	7	39,5	19,5	M10	8	89	110	22	*	30	26
125	32	M27x2	60	28	42	54	6	G1/2	90	185	6	275	8	44	23	M12	10,5	110	135	27	12	41	33

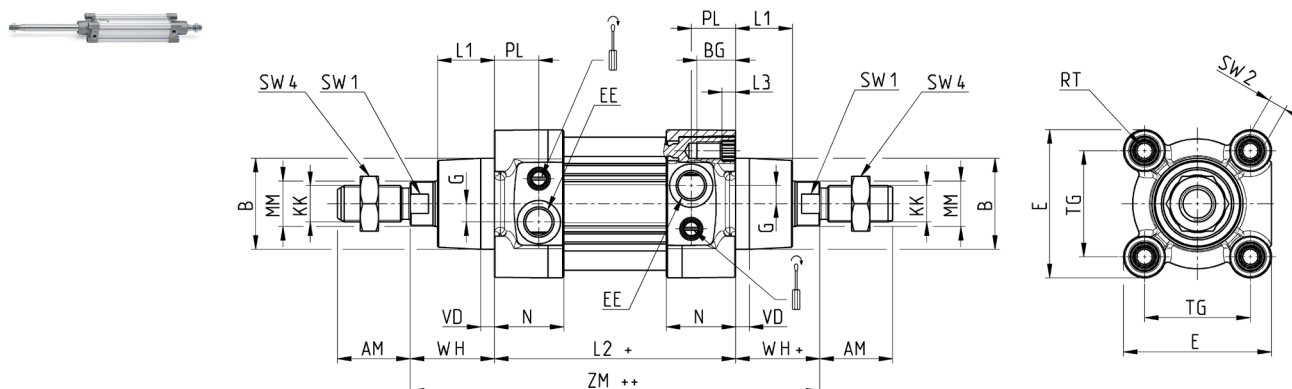
CYLINDERS ISO 15552
SERIES 63 - DIMENSIONS
Series 63 cylinders - profile, through rod

Versions: 63MP6..., 63MP7...

For the single-acting cylinders, the dimensions L2 and ZM have to be increased with 25 mm.

PNEUMATIC ACTUATION

1


 += add the stroke
 ++ = add the stroke twice

Ø	MM	KK	øB	PL	L1	AM	EE	WH	L2 +	L3	ZM ++	VD	N	BG	RT	G	TG	E	øF	SW1	SW2	SW4	Front/rear cushion stroke
32	12	M10x1,25	30	18,5	18	22	G1/8	26	94	5,5	146	5	27	16	M6	5	32,5	47	-	10	6	17	17
40	16	M12x1,25	35	19	21	24	G1/4	30	105	5,5	165	5	30	16	M6	5	38	55	-	13	6	19	18
50	20	M16x1,5	40	19,5	25	32	G1/4	37	106	6	180	6	30,5	16	M8	8	46,5	65	8	17	8	24	20
63	20	M16x1,5	45	24	26	32	G3/8	37	121	6	195	6	37,5	16	M8	8	56,5	75	8	17	8	24	22
80	25	M20x1,5	45	23,5	30	40	G3/8	46	128	0	220	7	37	19	M10	8	72	93	8	22	6	30	25
100	25	M20x1,5	55	24	35	40	G1/2	51	138	0	240	7	39,5	19,5	M10	8	89	110	8	22	6	30	26
125	32	M27x2	60	28	42	54	G1/2	65	160	6	290	8	44	23	M12	10,5	110	135	-	27	12	41	33

Series 63 cylinders - round tube, through rod

Versions: 63MT6..., 63MT7...

For the single-acting cylinders, the dimensions L2 and ZM have to be increased with 25 mm.

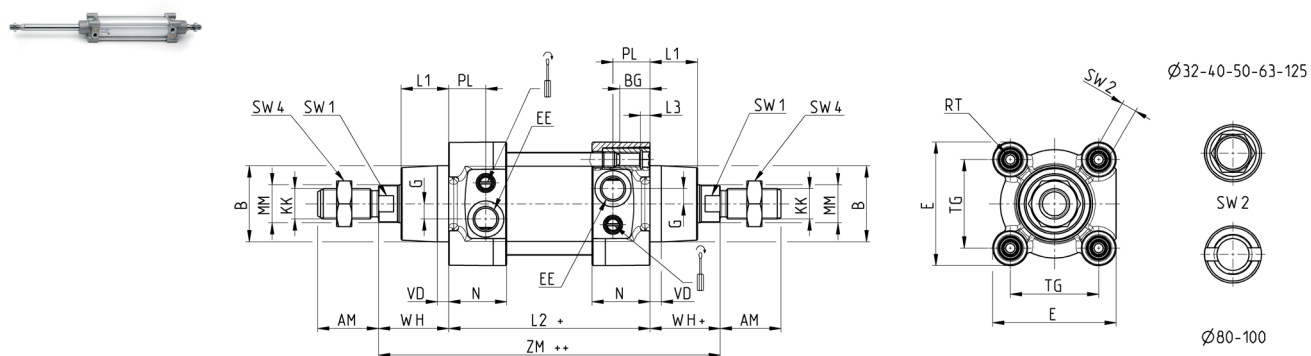
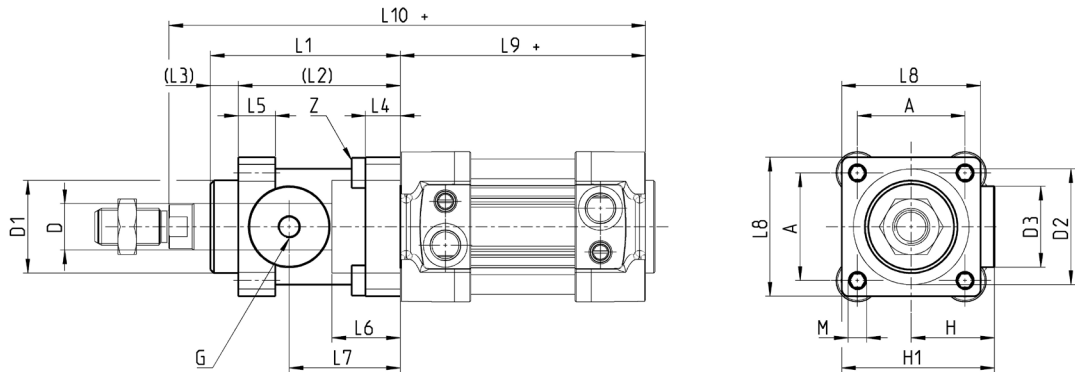

 += add the stroke
 ++ = add the stroke twice

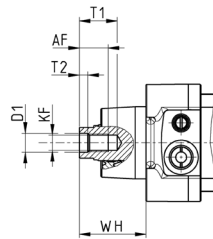
Table note:
 * = special key 80-62/8C
 (see accessories)

Ø	MM	KK	øB	PL	L1	AM	EE	WH	L2 +	L3	ZM ++	VD	N	BG	RT	G	TG	E	øF	SW1	SW2	SW4	front/rear cushion stroke
32	12	M10x1,25	30	18,5	18	22	G1/8	26	94	5	146	5	27	16	M6	5	32,5	47	-	10	6	17	17
40	16	M10x1,25	35	19	21	24	G1/4	30	105	5	165	5	30	16	M6	5	38	55	-	13	6	19	18
50	20	M16x1,5	40	19,5	25	32	G1/4	37	106	5	180	6	30,5	16	M8	8	46,5	65	8	17	8	24	20
63	20	M16x1,5	45	24	26	32	G3/8	37	121	5	195	6	37,5	16	M8	8	56,5	75	8	17	8	24	22
80	25	M20x1,5	45	23,5	30	40	G3/8	46	128	0	220	7	37	19	M10	8	72	93	8	22	*	30	25
100	25	M20x1,5	55	24	35	40	G1/2	51	138	0	240	7	39,5	19,5	M10	8	89	110	8	22	*	30	26
125	32	M27x2	60	28	42	54	G1/2	65	160	6	290	8	44	23	M12	10,5	110	135	-	27	12	41	33

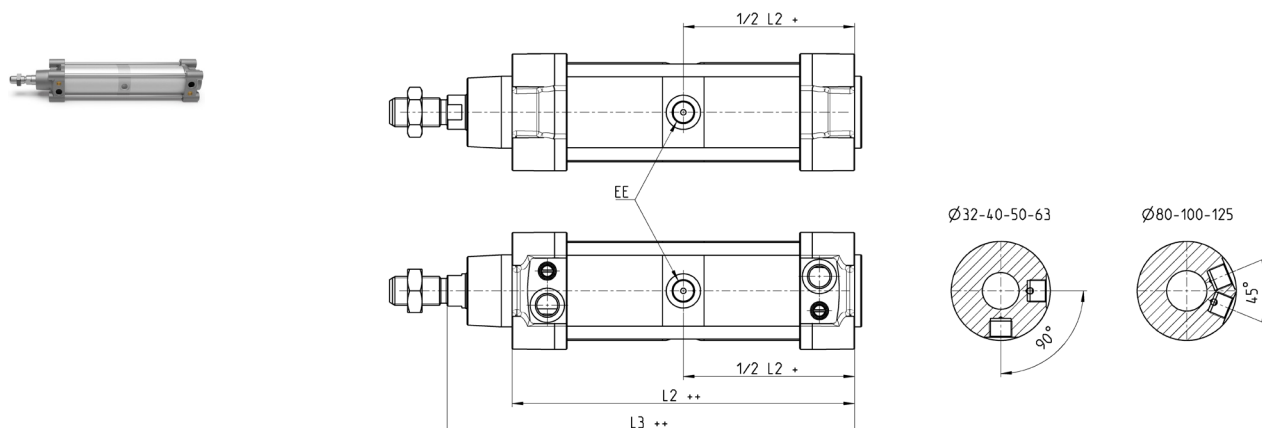
Series 63 cylinders with rod lock


+ = add the stroke

∅	\varnothing_D	\varnothing_{D1}	\varnothing_{D2}	\varnothing_{D3}	A	G	H	H1	L1	L2	L3	L4	L5	L6	L7	L8	L9 +	L10 +	M	Z
32	12	30,5	35	25	32,5	M5	25,5	46,5	58	48	10	8	13	20,5	34	45	94	160	M6	M6x20
40	16	35	40	28	38	G1/8	30	53	65	55	10	8	13	22,5	38	50	105	178	M6	M6x20
50	20	40	50	35	46,5	G1/8	36	64	82	70	12	15	16	29,5	48	60	106	200	M8	M6x20
63	20	45	60	38	56,5	G1/8	40	75	82	70	12	15	16	29,5	49,5	70	121	215	M8	M8x30
80	25	45	80	48	72	G1/8	50	95	110	90	20	18	20	35	61	90	128	254	M10	M10x35
100	25	55	100	58	89	G1/8	58	110,5	115	100	15	18	20	39	69	105	138	269	M10	M10x35
125	32	60	130	65	110	G1/8	80	150	167	122	45	22	30	51	86,5	140	160	350	M12	M12x40

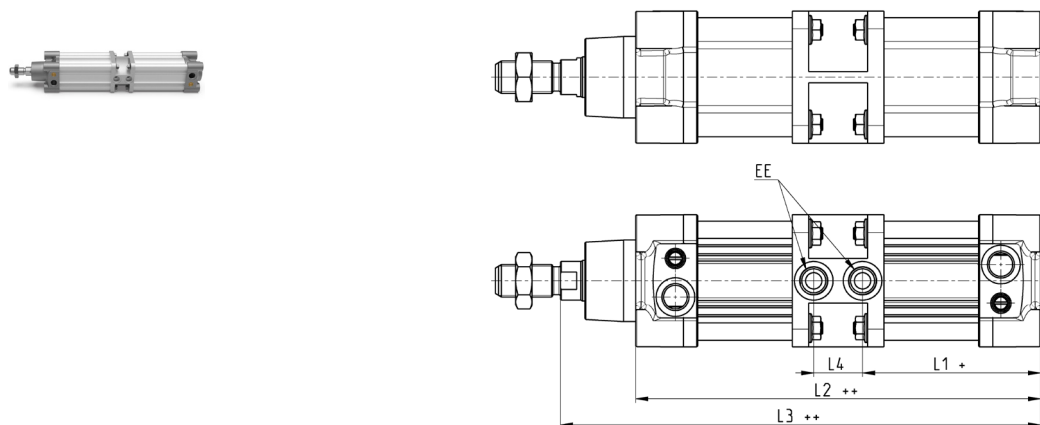
Series 63 cylinders with female rod thread


∅	AF Min.	KF	$D1_g$	T1 Max.	T2	WH
32	12	M6x1	6,4	16	2,6	26
40	12	M8x1,25	8,4	16	3,3	30
50	16	M10x1,5	10,5	21	4,7	37
63	16	M10x1,5	10,5	21	4,7	37
80	20	M12x1,75	13	26,5	6,1	46
100	20	M12x1,75	13	26,5	6,1	54
125	32	M16x2	17	40	8	65

Series 63 cylinders - round tube, tandem version


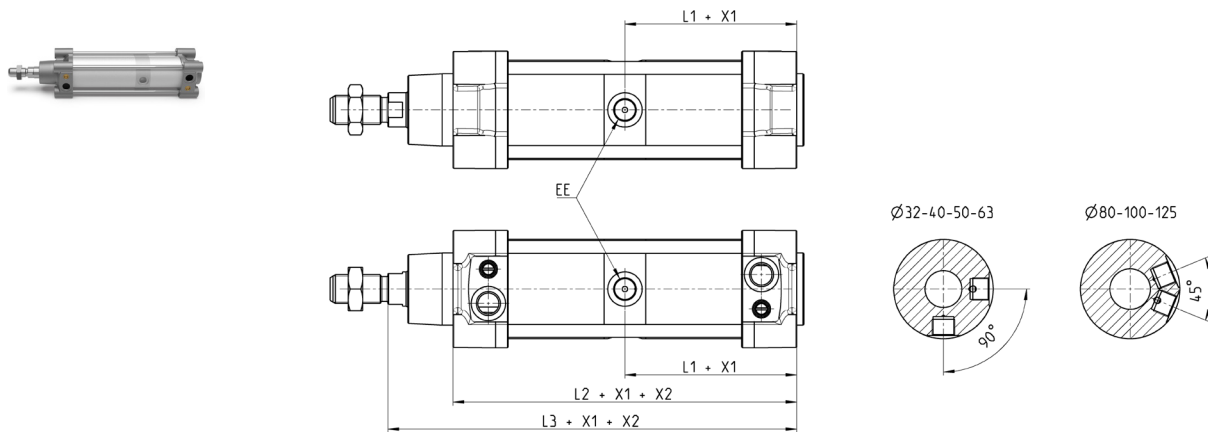
+ = add the stroke
 ++ = add the stroke twice

Ø	EE	L2 ++	L3 ++
32	G1/8	171,5	197,5
40	G1/4	191,5	221,5
50	G1/4	188	225
63	G3/8	204	241
80	G3/8	225,5	271,5
100	G1/2	231	282
125	G1/2	264	329

Series 63 cylinders - profile, tandem version


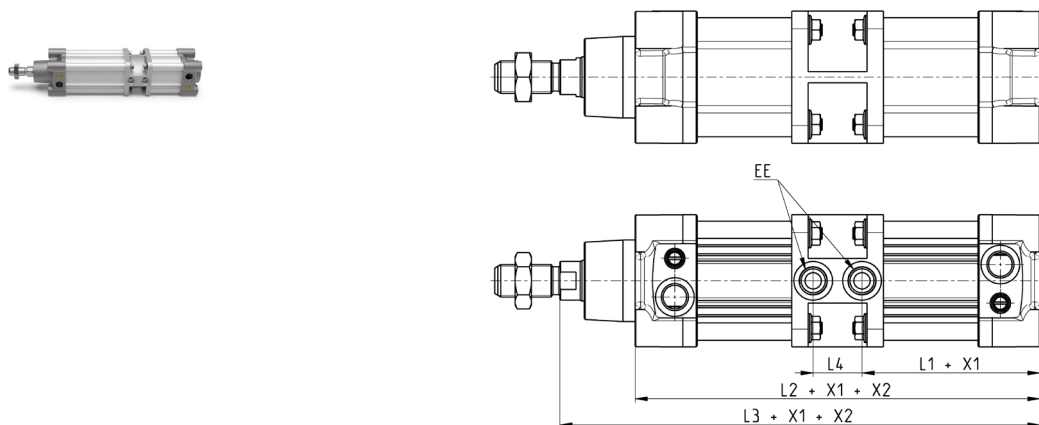
+ = add the stroke
 ++ = add the stroke twice

Ø	EE	L1 +	L2 ++	L3 ++	L4
32	G1/8	76,5	171,5	197,5	18,5
40	G1/4	88,5	200	230	23
50	G1/4	87,5	199	236	24
63	G3/8	98	223	260	27
80	G3/8	104,5	236	282	27
100	G1/2	116	260	311	28
125	G1/2	132	264	329	0

Series 63 cylinders - round tube, multi-position version


X1 = partial stroke
X2 = total stroke

Ø	EE	L1	L2	L3
32	G1/8	86	171,5	197,5
40	G1/4	96	191,5	221,5
50	G1/4	94	188	225
63	G3/8	102	204	241
80	G3/8	113	225,5	271,5
100	G1/2	115,5	231	282
125	G1/2	132	264	329

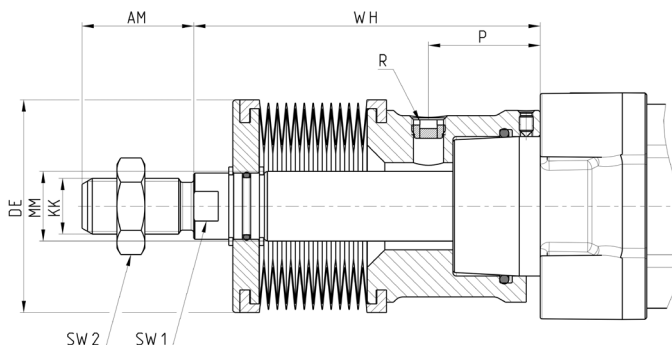
Series 63 cylinders - profile, multi-position version


X1 = partial stroke
X2 = total stroke

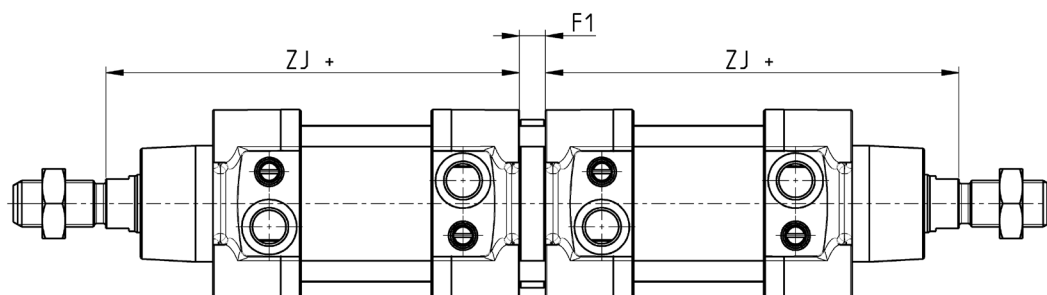
Ø	EE	L1 +	L2 ++	L3 ++	L4
32	G1/8	76,5	171,5	197,5	18,5
40	G1/4	88,5	200	230	23
50	G1/4	87,5	199	236	24
63	G3/8	98	223	260	27
80	G3/8	104,5	236	282	27
100	G1/2	116	260	311	28
125	G1/2	132	264	329	0

CYLINDERS ISO 15552
SERIES 63 - DIMENSIONS
Series 63 cylinders with protective bellow

PNEUMATIC ACTUATION

1


∅	Stroke	WH	AM	KK	MM	P	R	DE	SW1	SW2
32	0 ÷ 245	88	22	M10x1,25	12	25	G1/8	61	10	17
32	246 ÷ 490	132	22	M10x1,25	12	25	G1/8	61	10	17
40	0 ÷ 245	89	24	M12x1,25	16	26	G1/8	61	13	19
40	246 ÷ 490	133	24	M12x1,25	16	26	G1/8	61	13	19
50	0 ÷ 245	99	32	M16x1,5	20	30	G1/8	61	17	24
50	246 ÷ 490	143	32	M16x1,5	20	30	G1/8	61	17	24
63	0 ÷ 245	76	32	M16x1,5	20	16.5	G1/8	61	17	24
63	246 ÷ 490	120	32	M16x1,5	20	16.5	G1/8	61	17	24
80	0 ÷ 285	86	40	M20x1,5	25	11.5	G1/8	83	22	30
80	286 ÷ 570	139	40	M20x1,5	25	11.5	G1/8	83	22	30
100	0 ÷ 285	86	40	M20x1,5	25	12	G1/8	83	22	30
100	286 ÷ 570	139	40	M20x1,5	25	12	G1/8	83	22	30
125	0 ÷ 285	108	54	M27x2	32	30	G1/8	83	29	41
125	286 ÷ 570	161	54	M27x2	32	30	G1/8	83	29	41

Series 63 cylinders - round tube, back to back (TR)


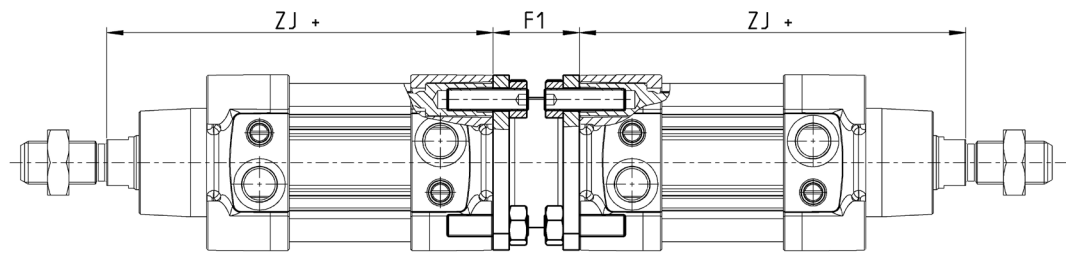
∅	F1	ZJ +	Max. overall stroke (mm)
32	9	120	500
40	9	135	800
50	9	143	800
63	9	158	700
80	9	174	1000
100	9	189	900
125	20	225	1000

Opposed cylinder coupler Mod. DC-63



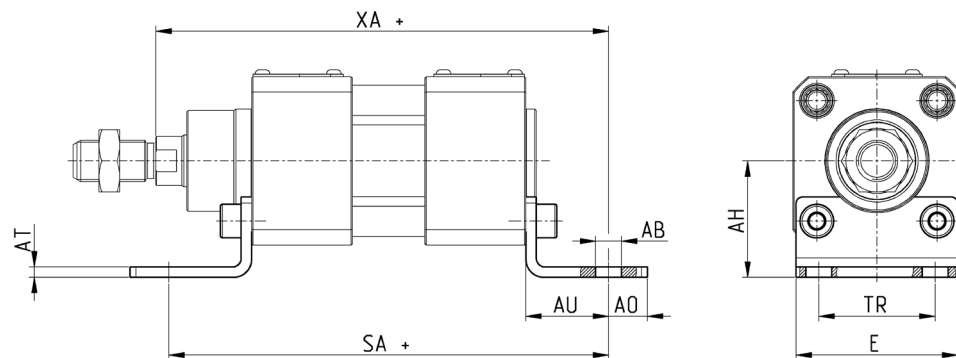
Material:
aluminium

Supplied with:
1x flange
8x locking screws
8x nuts



Mod.	Ø	F1	ZJ	Weight [g]	Max. overall stroke (mm)	Locking screws for END LOCK® end-cap	Torque force
DC-63-32	32	27	120	130	500	M6 x 30 (KR-EL-09)	5 Nm
DC-63-40	40	27	135	160	800	M6 x 35 (KR-EL-10)	5 Nm
DC-63-50	50	32	143	285	800	M8 x 35 (KR-EL-11)	10 Nm
DC-63-63	63	28	158	340	700	M8 x 35 (KR-EL-11)	10 Nm
DC-63-80	80	38	174	670	1000	M10 x 40 (KR-EL-12)	15 Nm
DC-63-100	100	48	189	820	900	M10 x 40 (KR-EL-12)	15 Nm
DC-63-125	125	48	225	1300	1000	-	20 Nm

Foot mount Mod. B

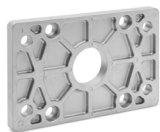


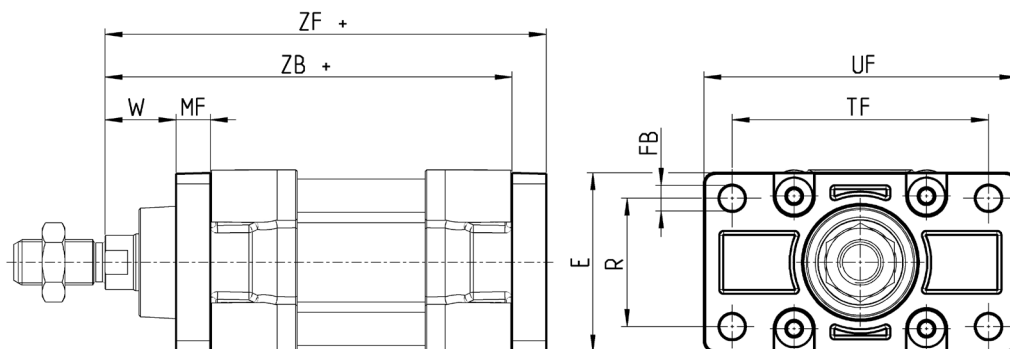
+ = add the stroke

Mod.	Ø	AT	SA +	XA +	TR	E	AB	AH	AO	AU	Torque force
B-41-32	32	4	142	144	32	45	7	32	11	24	5 Nm
B-41-40	40	4	161	163	36	53,5	10	36	15	28	5 Nm
B-41-50	50	4	170	175	45	62,5	10	45	15	32	10 Nm
B-41-63	63	5	185	190	50	73	10	50	15	32	10 Nm
B-41-80	80	6	210	216	63	92	12	63	20	41	15 Nm
B-41-100	100	6	220	230	75	108,5	14,5	71	25	41	15 Nm
B-41-125	125	7	250	270	90	132	16,5	90	25	45	20 Nm

CYLINDERS ISO 15552
SERIES 63 - ACCESSORIES

PNEUMATIC ACTUATION

1
Front flange Mod. D-E

 Material:
 aluminium for $\varnothing 32 \div \varnothing 125$

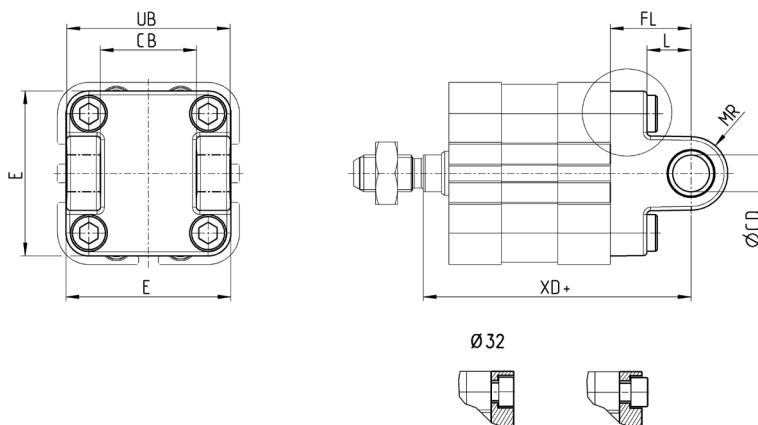
 Supplied with:
 1x flange
 4x screws


+ = add the stroke

Mod.	\varnothing	W	MF	ZB+	TF	R	UF	E	\varnothing_{FB}	ZF+	Torque force
D-E-41-32	32	16	10	120	64	32	80	45	7	130	5 Nm
D-E-41-40	40	20	10	135	72	36	90	52	9	145	5 Nm
D-E-41-50	50	25	12	143	90	45	110	65	9	155	10 Nm
D-E-41-63	63	25	12	158	100	50	120	75	9	170	10 Nm
D-E-41-80	80	30	16	174	126	63	148	95	12	190	15 Nm
D-E-41-100	100	35	16	189	150	75	176	115	14	205	15 Nm
D-E-41-125	125	45	20	225	180	90	220	140	16	245	20 Nm

Front or rear female trunnion Mod. C-H

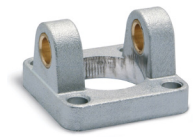
 Material:
 aluminium

 Supplied with:
 1x female trunnion
 4x screws


+ = add the stroke

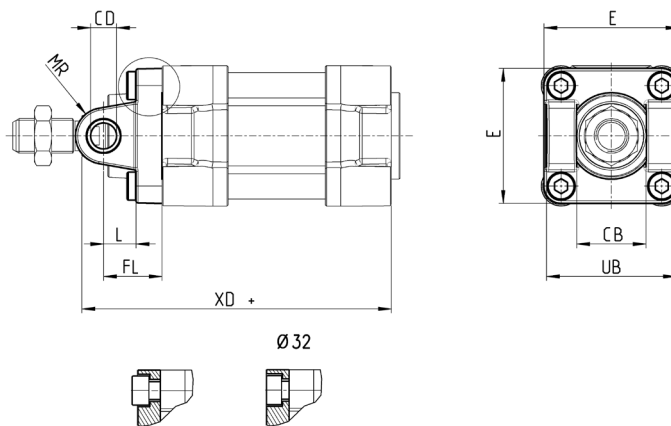
Mod.	\varnothing	\varnothing_{CD}	E	CB	UB	L	FL	MR	XD+	UB
C-H-41-63	63	16	74	40	70	21	32	16	89,5	70
C-H-41-80	80	16	94	50	90	22	36	16	99,5	90
C-H-41-100	100	20	114	60	110	27	41	20	117,5	110
C-H-41-125	125	25	140	70	130	30	50	25	142	130
C-H-41-160	160	30	35	55	180	315	25	180	90	169
C-H-41-200	200	30	35	60	180	335	25	220	90	169
C-H-41-250	250	40	45	70	200	375	40	270	110	200
C-H-41-320	320	45	50	80	220	420	45	350	120	220

Front female trunnion Mod. H



Material:
aluminium

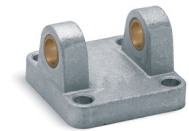
Supplied with:
1x female trunnion
4x screws



+ = add the stroke

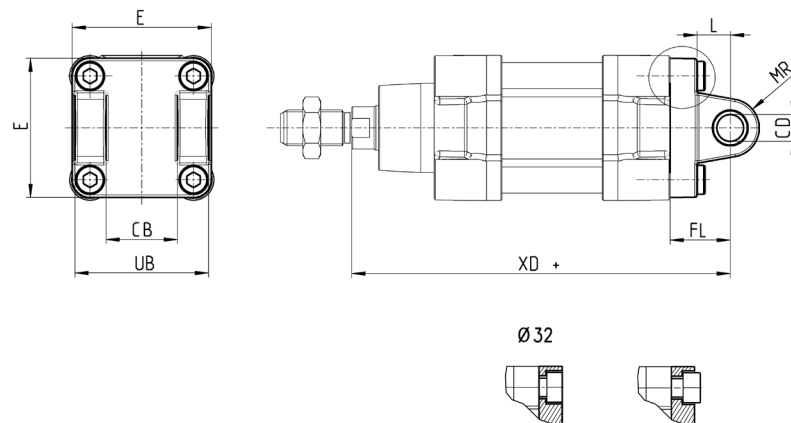
Mod.	Ø	Ø _{CD}	E	CB	UB	L	FL	MR	XD+	Torque force
H-41-32	32	10	47	26	46,5	12,5	22	10	15	5 Nm
H-41-40	40	12	52	28	52	16	25	12	18	5 Nm
H-41-50	50	12	64	32	60	16	27	12	19	10 Nm
H-60-63	63	16	74	40	70	21	32	16	24	10 Nm

Rear female trunnion Mod. C



Material:
aluminium

Supplied with:
1x female trunnion
4x screws



+ = add the stroke

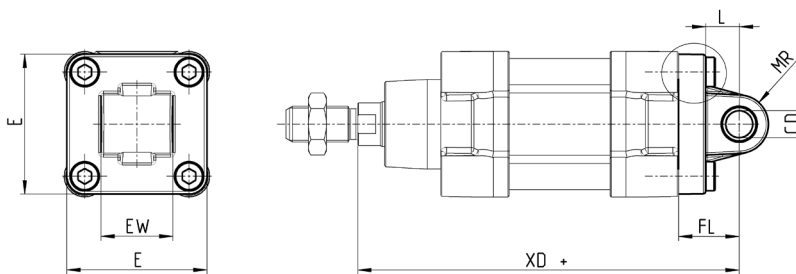
Mod.	Ø	CD	L	FL	XD+	MR	E	CB	UB	Torque force
C-41-32	32	10	12,5	22	142	10	47	26	46,5	5 Nm
C-41-40	40	12	16	25	160	12	52	28	52	5 Nm
C-41-50	50	12	16	27	170	12	64	32	60	10 Nm

CYLINDERS ISO 15552
SERIES 63 - ACCESSORIES
Rear male trunnion Mod. L

PNEUMATIC ACTUATION

1

 Material:
 aluminium

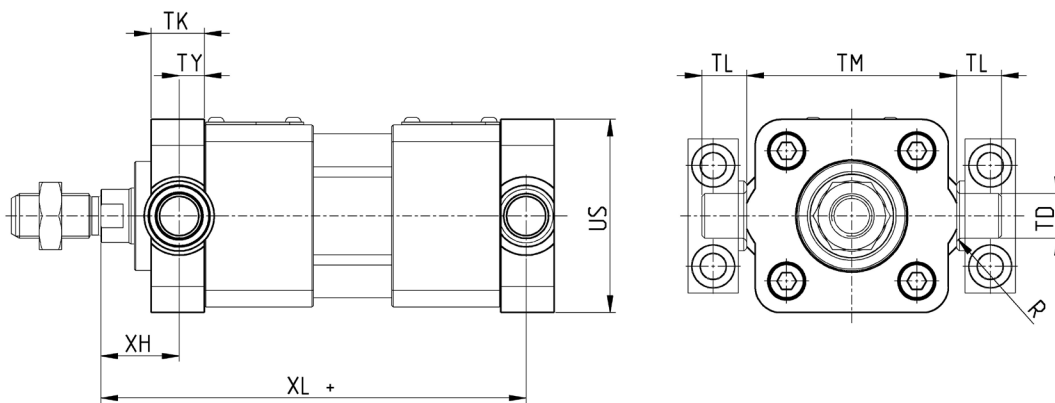
 Supplied with:
 4x screws
 1x male trunnion
 1x centering pin

 $\varnothing 32$


+ = add the stroke

Mod.	\varnothing	CD	L	FL	XD	MR	E	EW	Torque force
L-41-32	32	10	12,5	22	142	10	47	26	5 Nm
L-41-40	40	12	16	25	160	12	52	28	5 Nm
L-41-50	50	12	16	27	170	12	64	32	10 Nm
L-41-63	63	16	21	32	190	15,5	74	40	10 Nm
L-41-80	80	16	22	36	210	16	94	50	15 Nm
L-41-100	100	20	27	41	230	20	114	60	15 Nm
L-41-125	125	25	30	50	275	25	140	70	20 Nm

Front spot faced trunnion Mod. FN

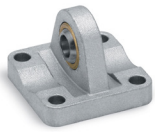
 Material:
 zinc-plated steel

 Supplied with:
 1x spot faced trunnion
 4x screws


+ = add the stroke

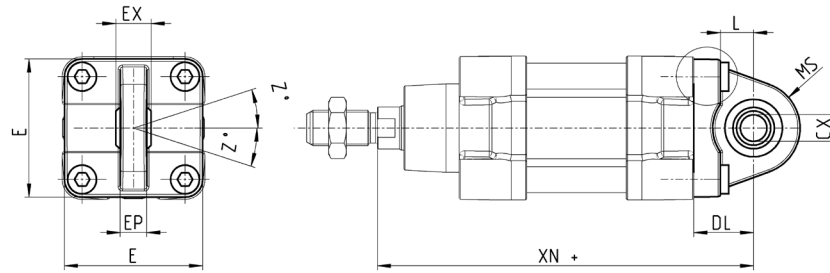
Mod.	\varnothing	TK	TY	XH	XL+	US	TL	TM	$_{g}TD$	R	Torque force
FN-32	32	14	6,5	19,5	126,5	46	12	50	12	1	5 Nm
FN-40	40	19	9	21	144	59	16	63	16	1,5	5 Nm
FN-50	50	19	9	28	152	69	16	75	16	1,6	10 Nm
FN-63	63	24	11,5	25,5	169,5	84	20	90	20	1,6	10 Nm
FN-80	80	24	11,5	34,5	185,5	102	20	110	20	1,6	15 Nm
FN-100	100	29	14	37	203	125	25	132	25	2	15 Nm
FN-125	125	30	15	50	240	150	25	160	25	2	20 Nm

Trunnion ball-joint Mod. R

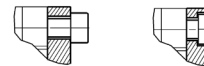


Material:
aluminium

Supplied with:
1x trunnion ball joint
4x screws



R-41-50/80/125



+ = add the stroke

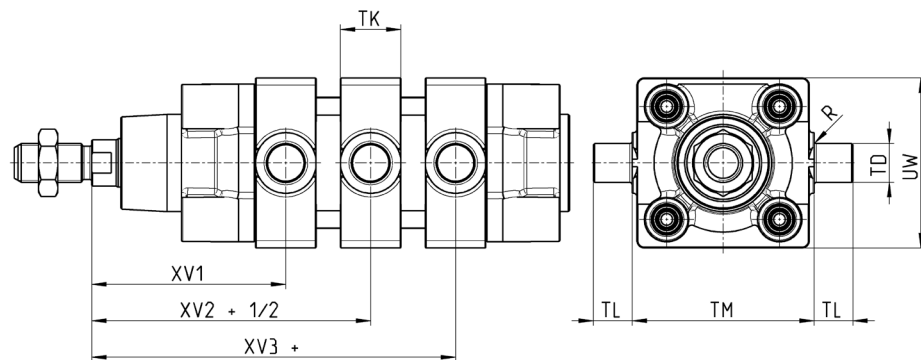
Mod.	∅	$_{g}CX$	L	DL+	XN+	MS	E	EX	EP	Z	Torque force
R-41-32	32	10	13	22	142	16	45	14	10.5	4	5 Nm
R-41-40	40	12	16	25	160	19	52	16	12	4	5 Nm
R-41-50*	50	12	15	27	170	21	62.5	16	12	4	10 Nm
R-50	50	16	16	27	170	21,5	65	21	15	4	10 Nm
R-41-63	63	16	21	32	190	24	75	21	15	4	10 Nm
R-41-80*	80	16	24	36	210	28	92	21	15	4	15 Nm
R-80	80	20	22	36	210	28,5	95	25	18	4	15 Nm
R-41-100	100	20	27	41	230	30	115	25	18	4	15 Nm
R-41-125	125	30	30	50	275	40	140	37	25	4	20 Nm

Centre trunnion Mod. F for round tube cylinders



Material:
zinc-plated steel

Supplied with:
1x intermediate trunnion
8x locking screws



+ = add the stroke

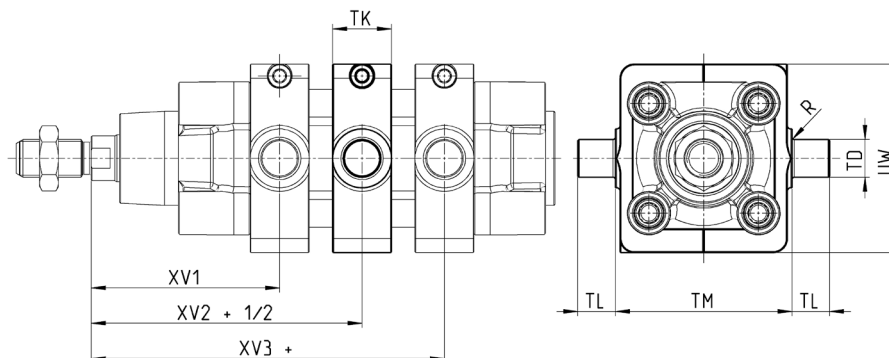
Mod.	∅	XV1	XV2 +	XV3 +	TM (h14)	TK	$_{g}TD^{e9}$	TL	UW	R
F-32	32	63	73	83	50	20	12	12	50	0,5
F-40	40	70	82,5	95	63	20	16	16	60	1
F-50	50	80	90	100	75	25	16	16	70	1
F-63	63	87	97,5	108	90	25	20	20	85	1
F-80	80	98	110	122	110	30	20	20	105	1
F-100	100	105,5	120	134,5	132	30	25	25	125	1,5
F-125	125	124	145	166	160	30	25	25	155	1,5

CYLINDERS ISO 1552
SERIES 63 - ACCESSORIES
Centre trunnion Mod. F for profile cylinders

PNEUMATIC ACTUATION


 Material:
 zinc-plated steel

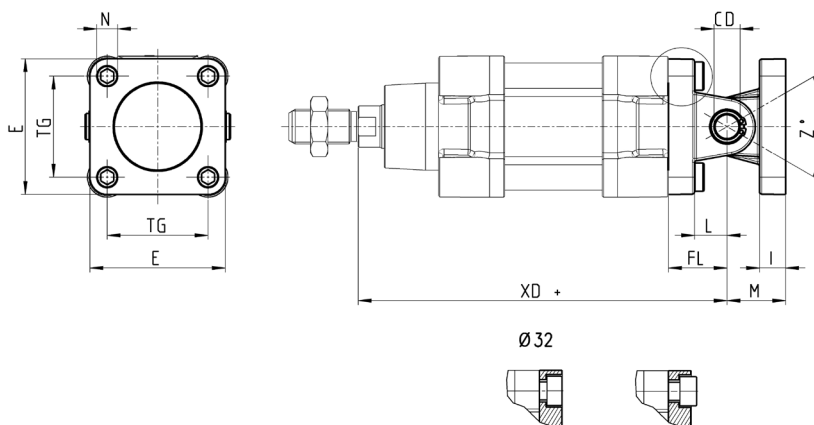
 Supplied with:
 1x centre trunnion
 8x locking screws
 2x fixing screws

1


+ = add the stroke

Mod.	∅	XV1	XV2 +	XV3 +	TM	TK	TD	TL	UW	R
F-63-32	32	63	73	83	50	20	12	12	62	0,5
F-63-40	40	70	82,5	95	63	20	16	16	70	1
F-63-50	50	80	90	100	75	25	16	16	80	1
F-63-63	63	87	97,5	108	90	25	20	20	90	1
F-63-80	80	98	110	122	110	30	20	20	115	1
F-63-100	100	105,5	120	134,5	132	30	25	25	135	1,5
F-63-125	125	124	145	166	160	30	25	25	162	1,5

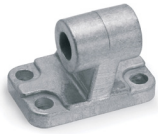
Accessory combination Mod. C+L+S

 Material:
 aluminium


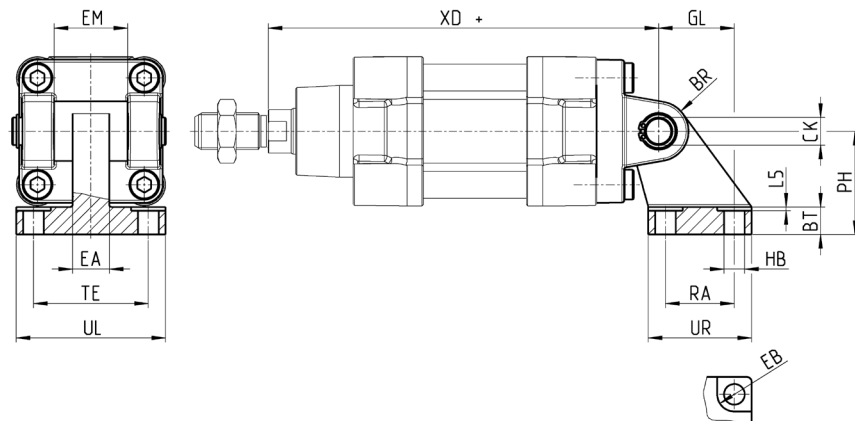
+ = add the stroke

Mod.	∅	E	TG	_g N	XD +	_g CD	L	FL	I	M	Z° (max)	Torque force
I-41-32	32	47	32,5	6,5	142	10	12,5	22	9,5	22	30	5 Nm
I-41-40	40	52	38	6,5	160	12	16	25	9	25	40	5 Nm
I-41-50	50	64	46,5	9	170	12	16	27	11	27	25	10 Nm
I-41-63	63	74	56,5	9	190	16	21	32	11	32	36	10 Nm
I-41-80	80	94	72	11	210	16	22	36	14	36	34	15 Nm
I-41-100	100	114	89	11	230	20	27	41	14	41	38	15 Nm
I-41-125	125	140	110	13	275	25	30	50	20	50	30	20 Nm

90° male trunnion Mod. ZC



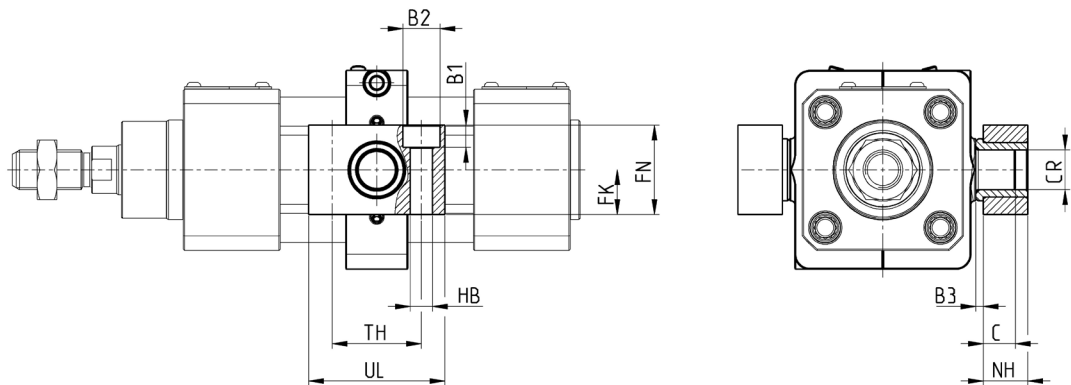
CETOP RP 107P

Material:
aluminiumSupplied with:
1x male support

+ = add the stroke

Mod.	∅	EB	CK	HB	XD	TE	UL	EA	GL	L5	RA	EM	UR	PH	BT	BR
ZC-32	32	11	10	6,6	142	38	51	10	21	1,6	18	26	31	32	8	10
ZC-40	40	11	12	6,6	160	41	54	15	24	1,6	22	28	35	36	10	11
ZC-50	50	15	12	9	170	50	65	16	33	1,6	30	32	45	45	12	13
ZC-63	63	15	16	9	190	52	67	16	37	1,6	35	40	50	50	14	15
ZC-80	80	18	16	11	210	66	86	20	47	2,5	40	50	60	63	14	15
ZC-100	100	18	20	11	230	76	96	20	55	2,5	50	60	70	71	17	19
ZC-125	125	20	25	14	275	94	124	30	70	3,2	60	70	90	90	20	22,5

Counter bracket for front trunnion Mod. BF

Material:
aluminiumSupplied with:
2x supports

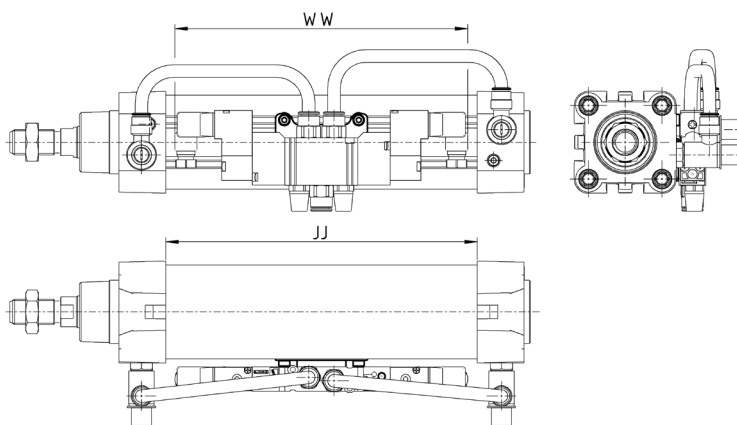
Mod.	∅	∅CR	NH	C	B3	TH	UL	FK	FN	B1	∅B2	∅HB
BF-32	32	12	15	7,5	3	32	46	15	30	6,8	11	6,6
BF-40-50	40 - 50	16	18	9	3	36	55	18	36	9	15	9
BF-63-80	63 - 80	20	20	10	3	42	65	20	40	11	18	11
BF-100-125	100 - 125	25	25	12,5	3,5	50	75	25	50	13	20	14

CYLINDERS ISO 15552
SERIES 63 - DIMENSIONS
Accessory to mount valves on the cylinder

PNEUMATIC ACTUATION

1


The mounting sub-base Mod. PCV enables the valve or solenoid valve to be mounted directly on the cylinder, thus forming a compact unit to apply.



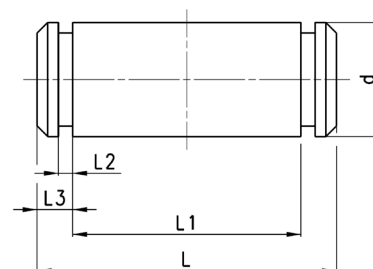
Make sure that the WW dimension of the valve to be mounted is smaller than the JJ cylinder dimension.

Mod.	
PCV-62-K3	to connect valves - solenoid valves Series 3
PCV-62-K4	to connect valves - solenoid valves Series 4 port G1/4
PCV-62-KEN	to connect valves - solenoid valves Series EN
PCV-62-K8	to connect valves - solenoid valves Series 4 port G1/8 and Series 3 port G1/4

Clevis pin Mod. S


Materials:
Stainless steel Clevis pin,
Steel Seeger

Supplied with:
1x clevis pin
2x seeger in steel



Mod.	Ø	d	L	L1	L2	L3
S-32	32	10	52	46	1,1	3
S-40	40	12	59	53	1,1	3
S-50	50	12	67	61	1,1	3
S-63	63	16	77	71	1,1	3
S-80	80	16	97	91	1,1	3
S-100	100	20	121	111	1,3	5
S-125	125	25	140,5	132	1,3	4,25

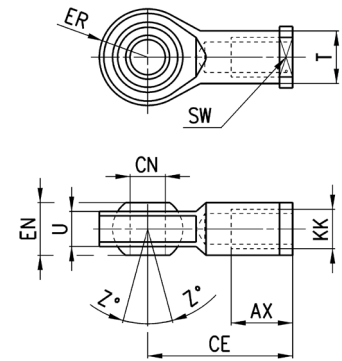
Swivel ball joint Mod. GA



ISO 8139

Material:
zinc-plated steel

Mod.	\varnothing CN	U	EN	ER	AX	CE	KK	\varnothing T	Z	SW
GA-32	10	10,5	14	14	20	43	M10x1,25	15	6,5	17
GA-40	12	12	16	16	22	50	M12x1,25	17,5	6,5	19
GA-50-63	16	15	21	21	28	64	M16x1,5	22	7,5	22
GA-80-100	20	18	25	25	33	77	M20x1,5	27,5	7	30
GA-41-125	30	25	37	37	51	110	M27x2	40	7,5	41



PNEUMATIC ACTUATION

1

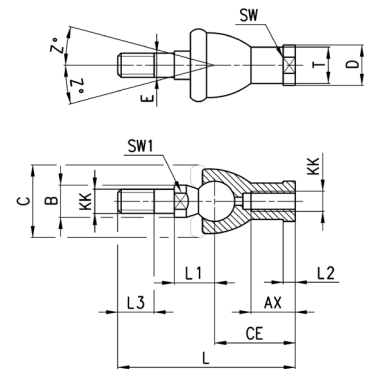
Piston rod socket joint Mod. GY



ISO 8139

Material:
zama and zinc-plated steel

Mod.	\varnothing	KK	L	CE	L2	AX	SW	SW1	L1	L3	T	D	E	B	C	Z
GY-32	32	M10x1,25	74	35	6,5	18	17	11	19,5	15	15	19	10	14	28	15
GY-40	40	M12x1,25	84	40	6,5	20	19	17	21	17	17,5	22	12	19	32	15
GY-50-63	50-63	M16x1,5	112	50	8	27	22	19	27,5	23	22	27	16	22	40	11
GY-80-100	80-100	M20x1,5	133	63	10	38	30	24	31,5	25	27,5	34	20	27	45	7,5



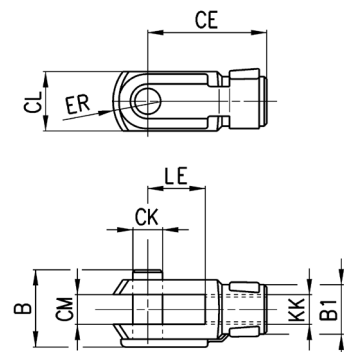
Rod fork end Mod. G



ISO 8140

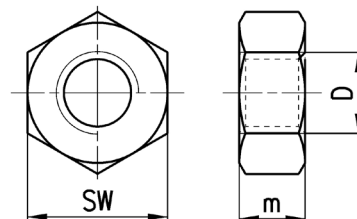
Material:
zinc-plated steel

Mod.	CK	LE	CM	CL	ER	CE	KK	B	\varnothing B1
G-25-32	10	20	10	20	12	40	M10x1,25	26	18
G-40	12	24	12	24	14	48	M12x1,25	32	20
G-50-63	16	32	16	32	19	64	M16x1,5	40	26
G-80-100	20	40	20	40	25	80	M20x1,5	48	34
G-41-125	30	54	30	55	38	110	M27x2	74	48



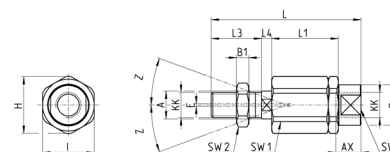
CYLINDERS ISO 15552
SERIES 63 - ACCESSORIES
Piston rod lock nut Mod. U


UNI EN ISO 4035

 Material:
 zinc-plated steel


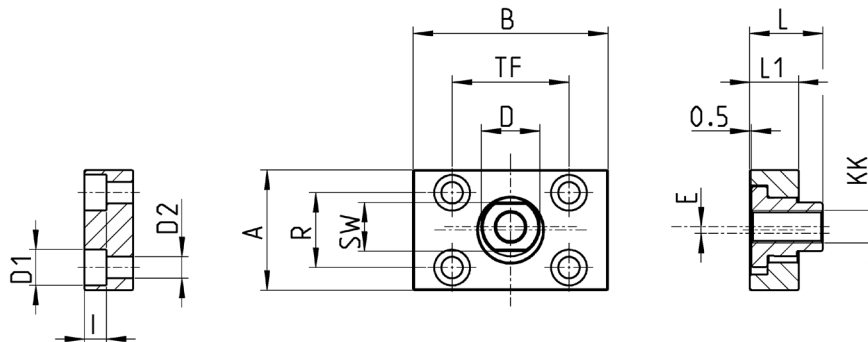
Mod.	D	m	SW
U-25-32	M10x1,25	6	17
U-40	M12x1,25	7	19
U-50-63	M16x1,5	8	24
U-80-100	M20x1,5	9	30
U-41-125	M27x2	12	41

Self aligning rod Mod. GK

 Material:
 zinc-plated steel


Mod.	∅	KK	L	L1	L3	L4	ρ_A	ρ_D	H	I	SW	SW1	SW2	B1	AX	Z	E
GK-25-32	25-32	M10x1,25	71,5	35	20	7,5	14	22	32	30	19	12	17	5	22	4	2
GK-40	40	M12x1,25	75,5	35	24	7,5	14	22	32	30	19	12	19	6	22	4	2
GK-50-63	50-63	M16x1,5	104	53	32	10	22	32	45	41	27	20	24	8	30	3	2
GK-80-100	80-100	M20x1,5	119	53	40	10	22	32	45	41	27	20	30	10	37	3	2
GK-125	125	M27x2	147	60	54	10	32	57	70	65	54	24	41	12	48	4	2

Coupling piece Mod. GKF

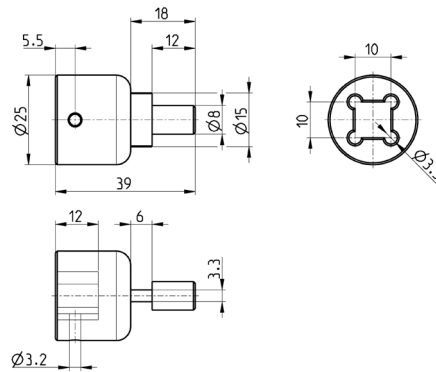
 Material:
 zinc-plated steel


Mod.	∅	KK	A	B	R	TF	L	L1	I	ρ_D	ρ_{D1}	ρ_{D2}	SW	E
GKF-25-32	32	M10x1,25	37	60	23	36	22,5	15	6,8	18	11	6,6	15	2
GKF-40	40	M12x1,25	56	60	38	42	22,5	15	9	20	15	9	15	2,5
GKF-50-63	50-63	M16x1,5	80	80	58	58	26,5	15	10,5	25	18	11	22	2,5
GKF-80-100	80-100	M20x1,5	90	90	65	65	32,5	20	13	30,5	20	14	27	2,5
GKF-125	125	M27x2	90	90	65	65	35,5	20	13	40	20	14	36	4

Special key to disassemble cylinders \varnothing 80 - 100, round tube



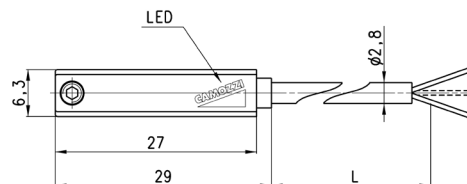
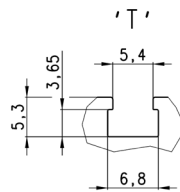
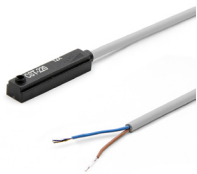
Material:
hardened steel



Mod.

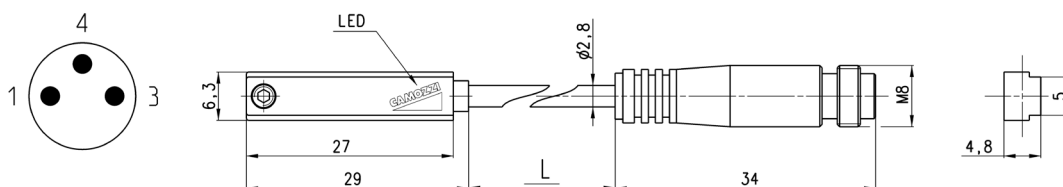
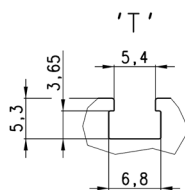
80-62/8C

Magnetic proximity switches with 2 or 3 wire cable for T-slot



Mod.	Operation	Connections	Voltage	Output	Max. current	Max Load	Protection	L = length cable
CST-220	Reed	2 wires	10 ÷ 110 V AC/DC-230 V AC	-	250 mA	10 VA / 8 W	None	2 m
CST-220-5	Reed	2 wires	10 ÷ 110 V AC/DC-230 V AC	-	250 mA	10 VA / 8 W	None	5 m
CST-220-12	Reed	2 wires	10 ÷ 110 V AC/DC-230 V AC	-	250 mA	10 VA / 8 W	None	12 m
CST-220EX	Reed	2 wires	10 ÷ 110 V AC/DC-230 V AC	-	250 mA	10 VA / 8 W	None	2 m
CST-220-5EX	Reed	2 wires	10 ÷ 110 V AC/DC-230 V AC	-	250 mA	10 VA / 8 W	None	5 m
CST-220-12EX	Reed	2 wires	10 ÷ 110 V AC/DC-230 V AC	-	250 mA	10 VA / 8 W	None	12 m
CST-232	Reed	3 wires	5 ÷ 30 V AC/DC	PNP	250 mA	10 VA / 8 W	Against polarity reversing	2 m
CST-232-5	Reed	3 wires	5 ÷ 30 V AC/DC	PNP	250 mA	10 VA / 8 W	Against polarity reversing	5 m
CST-232EX	Reed	3 wires	5 ÷ 30 V AC/DC	PNP	250 mA	10 VA / 8 W	Against polarity reversing	2 m
CST-232-5EX	Reed	3 wires	5 ÷ 30 V AC/DC	PNP	250 mA	10 VA / 8 W	Against polarity reversing and overvoltage	5 m
CST-332	Magneto-resistive	3 wires	10 ÷ 27 V DC	PNP	100 mA	6 W	Against polarity reversing and overvoltage	2 m
CST-332-5	Magneto-resistive	3 wires	10 ÷ 27 V DC	PNP	100 mA	6 W	Against polarity reversing and overvoltage	5 m
CST-332EX	Magneto-resistive	3 wires	10 ÷ 27 V DC	PNP	100 mA	6 W	Against polarity reversing and overvoltage	2 m
CST-332-5EX	Magneto-resistive	3 wires	10 ÷ 27 V DC	PNP	100 mA	6 W	Against polarity reversing and overvoltage	5 m
CST-432	Reed	3 wires	5 ÷ 30 V AC/DC	PNP-NC	250 mA	10 VA / 8 W	Against polarity reversing	2 m
CST-432-5	Reed	3 wires	5 ÷ 30 V AC/DC	PNP-NC	250 mA	10 VA / 8 W	Against polarity reversing	5 m
CST-432EX	Reed	3 wires	5 ÷ 30 V AC/DC	PNP-NC	250 mA	10 VA / 8 W	Against polarity reversing	2 m
CST-432-5EX	Reed	3 wires	5 ÷ 30 V AC/DC	PNP-NC	250 mA	10 VA / 8 W	Against polarity reversing	5 m
CST-532	Hall effect	3 wires	10 ÷ 27 V DC	PNP	100 mA	6 W	Against polarity reversing and overvoltage	2 m
CST-532-5	Hall effect	3 wires	10 ÷ 27 V DC	PNP	100 mA	6 W	Against polarity reversing and overvoltage	5 m
CST-532EX	Hall effect	3 wires	10 ÷ 27 V DC	PNP	100 mA	6 W	Against polarity reversing and overvoltage	2 m
CST-532-5EX	Hall effect	3 wires	10 ÷ 27 V DC	PNP	100 mA	6 W	Against polarity reversing and overvoltage	5 m

Note for 2-wire switches Mod. CST-220, CST-220-5:
in case of polarity reversing the sensor will still be operating, but the LED diode won't turn on.

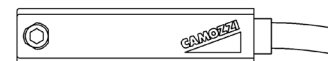
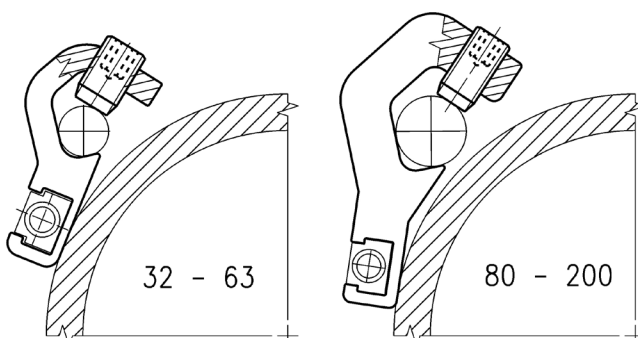
Magnetic proximity switches with M8 3-pin connector for T-slot


Cable length: 0,3 m

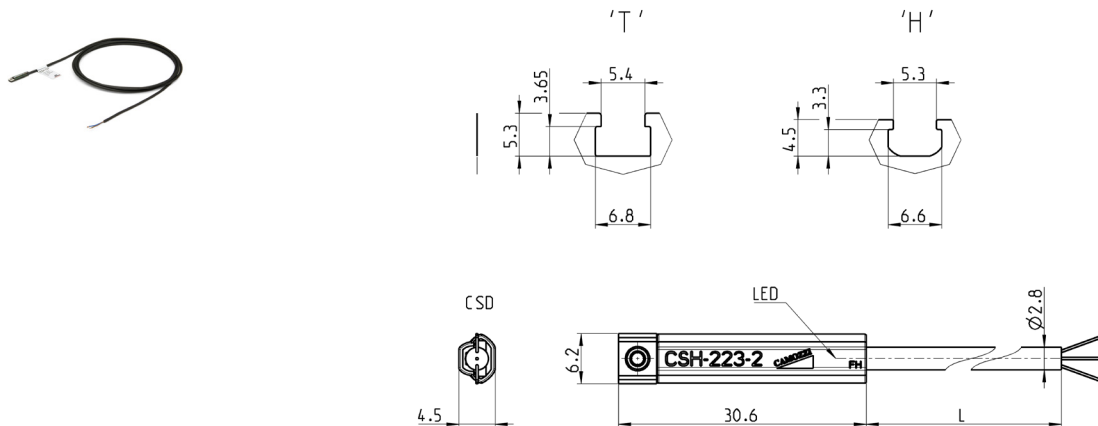
Mod.	Operation	Connection	Voltage	Output	Max. current	Max Load	Protection
CST-250N	Reed	2 wires M8 male 3 pin	10 ÷ 110 V AC/DC	-	250 mA	10 VA / 8 W	None
CST-250NEX	Reed	2 wires M8 male 3 pin	10 ÷ 110 V AC/DC	-	250 mA	10 VA / 8 W	None
CST-262	Reed	3 wires M8 male 3 pin	5 ÷ 30 V AC/DC	PNP	250 mA	10 VA / 8 W	Against polarity reversing
CST-262EX	Reed	3 wires M8 male 3 pin	5 ÷ 30 V AC/DC	PNP	250 mA	10 VA / 8 W	Against polarity reversing
CST-362	Magneto-resistive	3 wires M8 male 3 pin	10 ÷ 27 V DC	PNP	100 mA	6 W	Against polarity reversing and overvoltage
CST-362EX	Magneto-resistive	3 wires M8 male 3 pin	10 ÷ 27 V DC	PNP	100 mA	6 W	Against polarity reversing and overvoltage
CST-562	Hall effect	3 wires M8 male 3 pin	10 ÷ 27 V DC	PNP	100 mA	6 W	Against polarity reversing and overvoltage
CST-562EX	Hall effect	3 wires M8 male 3 pin	10 ÷ 27 V DC	PNP	100 mA	6 W	Against polarity reversing and overvoltage

 Note for 2-wire switch Mod. CST-250N:
 in case of polarity reversing the sensor will still be operating, but the LED diode won't turn on.

Adapters for Series CST-CSH-CSG sensors

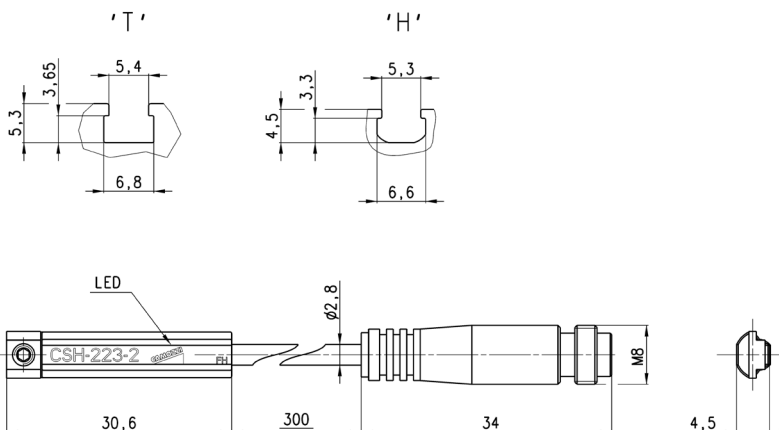
 Material:
 anodized aluminium


Magnetic proximity switches with 2- or 3-wire cable for H-slot



Mod.	Operation	Connection	Voltage	Output	Max. current	Max Load	Protection	L = cable length
CSH-223-2	Reed	2 wires	10 ÷ 30 V AC/DC	-	250 mA	10 VA / 8 W	Against polarity reversing	2 m
CSH-223-5	Reed	2 wires	10 ÷ 30 V AC/DC	-	250 mA	10 VA / 8 W	Against polarity reversing	5 m
CSH-223-10	Reed	2 wires	10 ÷ 30 V AC/DC	-	250 mA	10 VA / 8 W	Against polarity reversing and overvoltage	10 m
CSH-223-2EX	Reed	2 wires	10 ÷ 30 V AC/DC	-	250 mA	10 VA / 8 W	Against polarity reversing and overvoltage	2 m
CSH-223-5EX	Reed	2 wires	10 ÷ 30 V AC/DC	-	250 mA	10 VA / 8 W	Against polarity reversing	5 m
CSH-223-10EX	Reed	2 wires	10 ÷ 30 V AC/DC	-	250 mA	10 VA / 8 W	Against polarity reversing	10 m
CSH-221-2	Reed	2 wires	30 ÷ 230 V AC - 30 ÷ 110 V DC	-	250 mA	10 VA / 8 W	Against polarity reversing	2 m
CSH-221-5	Reed	2 wires	30 ÷ 230 V AC - 30 ÷ 110 V DC	-	250 mA	10 VA / 8 W	Against polarity reversing	5 m
CSH-221-2EX	Reed	2 wires	30 ÷ 230 V AC - 30 ÷ 110 V DC	-	250 mA	10 VA / 8 W	Against polarity reversing	2 m
CSH-221-5EX	Reed	2 wires	30 ÷ 230 V AC - 30 ÷ 110 V DC	-	250 mA	10 VA / 8 W	Against polarity reversing	5 m
CSH-233-2	Reed	3 wires	10 ÷ 30 V AC/DC	PNP	250 mA	10 VA / 8 W	Against polarity reversing	2 m
CSH-233-5	Reed	3 wires	10 ÷ 30 V AC/DC	PNP	250 mA	10 VA / 8 W	Against polarity reversing	5 m
CSH-233-2EX	Reed	3 wires	10 ÷ 30 V AC/DC	PNP	250 mA	10 VA / 8 W	Against polarity reversing	2 m
CSH-233-5EX	Reed	3 wires	10 ÷ 30 V AC/DC	PNP	250 mA	10 VA / 8 W	Against polarity reversing	5 m
CSH-334-2	Magneto-resistive	3 wires	10 ÷ 27 V DC	PNP	250 mA	6 W	Against polarity reversing and overvoltage	2 m
CSH-334-5	Magneto-resistive	3 wires	10 ÷ 27 V DC	PNP	250 mA	6 W	Against polarity reversing and overvoltage	5 m
CSH-334-2EX	Magneto-resistive	3 wires	10 ÷ 27 V DC	PNP	250 mA	6 W	Against polarity reversing and overvoltage	2 m
CSH-334-5EX	Magneto-resistive	3 wires	10 ÷ 27 V DC	PNP	250 mA	6 W	Against polarity reversing and overvoltage	5 m
CSH-433-2	Reed NC	3 wires	10 ÷ 30 V AC/DC	PNP	250 mA	10 VA / 8 W	Against polarity reversing	2 m
CSH-433-5	Reed	3 wires	10 ÷ 30 V AC/DC	PNP-NC	250 mA	10 VA / 8 W	Against polarity reversing	5 m
CSH-433-2EX	Reed	3 wires	10 ÷ 30 V AC/DC	PNP-NC	250 mA	10 VA / 8 W	Against polarity reversing	2 m
CSH-433-5EX	Reed	3 wires	10 ÷ 30 V AC/DC	PNP-NC	250 mA	10 VA / 8 W	Against polarity reversing	5 m

Note for 2-wire switches Mod. CSH-223-2, CSH-223-5, CSH-221-2, CSH-221-5:
in case of polarity reversing the sensor will still be operating, but the LED diode won't turn on.

Magnetic proximity switches with M8 3-pin connector for H-slot


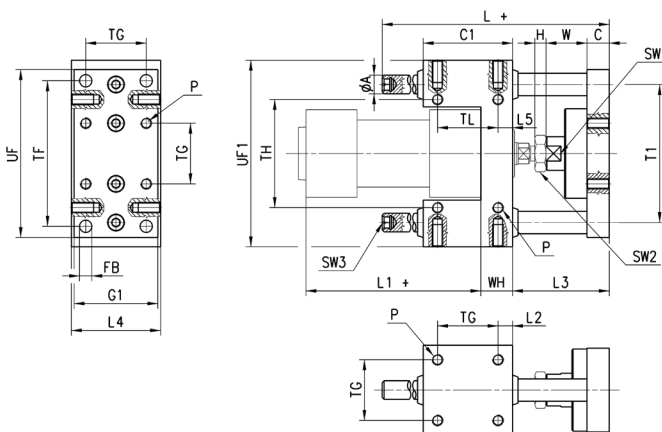
Cable length: 0,3 m

Mod.	Operation	Connection	Voltage	Output	Max. current	Max Load	Protection
CSH-253	Reed NO	2 wires M8 male 3 pin	10 ÷ 30 V AC/DC	-	250 mA	10 VA / 8 W	Against polarity reversing
CSH-253EX	Reed NO	2 wires M8 male 3 pin	10 ÷ 30 V AC/DC	-	250 mA	10 VA / 8 W	Against polarity reversing
CSH-263	Reed NO	3 wires M8 male 3 pin	10 ÷ 30 V AC/DC	PNP	250 mA	10 VA / 8 W	Against polarity reversing
CSH-263EX	Reed NO	3 wires M8 male 3 pin	10 ÷ 30 V AC/DC	PNP	250 mA	10 VA / 8 W	Against polarity reversing
CSH-364	Magneto-resistive	3 wires M8 male 3 pin	10 ÷ 27 V DC	PNP	250 mA	6 W	Against polarity reversing and overvoltage
CSH-364EX	Magneto-resistive	3 wires M8 male 3 pin	10 ÷ 27 V DC	PNP	250 mA	6 W	Against polarity reversing and overvoltage
CSH-463	Reed NC	3 wires M8 male 3 pin	10 ÷ 30 V AC/DC	PNP	250 mA	10 VA / 8 W	Against polarity reversing
CSH-463EX	Reed NC	3 wires M8 male 3 pin	10 ÷ 30 V AC/DC	PNP	250 mA	10 VA / 8 W	Against polarity reversing

 Note for 2-wire switch Mod. CSH-253:
 in case of polarity reversing the sensor will still be operating, but LED diode won't turn on.

Guides Mod. 45NUT for cylinders Series 63

 Supplied with:
 4x fixing screws

 Suitable for ISO 15552
 (previous DIN/ISO 6451)
 cylinders Series 61, 63, 6E Ø
 32, 40, 50, 63, 80 and 100.
 These guides do not need
 lubrication.
 For applicable loads see
 graph No 1.


+ = add the stroke

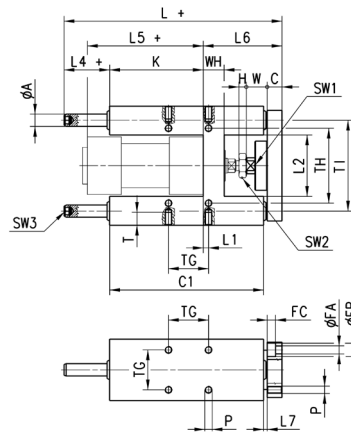
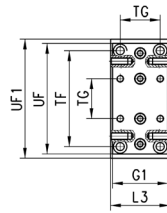
Ø	TF	TG	TH	α	T1	P	FB	UF	G1	UF1	L	C1	H	W	C	L1	WH	L2	L3	L4	L5	TL	SW1	SW2	SW3
32	78	32,5	58	12	74	M6	6,6	90	45	100	106	48	6	22	12	94	17	7,8	52	48	7,8	32,5	15	17	6
40	84	38	64	12	80	M6	6,6	100	50	106	117	58	7	22	12	105	21	10	53	56	10	38	15	19	6
50	100	46,5	80	16	96	M8	9	120	60	125	129	59	8	26	15	106	25	6,2	64	66	6,3	46,5	22	24	6
63	105	56,5	95	16	104	M8	9	125	70	132	146	76	8	26	15	121	25	9,8	64	76	9,8	56,5	22	24	6
80	130	72	130	20	130	M10	11	155	90	165	170	90	9	32	16	128	34	9	72	98	20	50	27	30	6
100	150	89	150	20	150	M10	11	175	110	185	190	110	9	32	16	138	39	10,5	72	118	20	70	27	30	6

Guides Mod. 45NHT for cylinders Series 63



Supplied with:
 4x fixing screws

Suitable for ISO 15552 (previous DIN/ISO 6431) cylinders Series 61, 63, 6E Ø 32, 40, 50, 63, 80 and 100. These guides do not need lubrication. For applicable loads see graph No 3.



+ = add the stroke

Ø	TF	TG	TH	TI	UF	G1	UF1	øA	WH	C1	H	W	C	K	L	L1	L2	L3	L4	L5	L6	L7	P	T	øFA	øFB	FC	SW1	SW2	SW3
32	78	32,5	61	74	90	45	97	12	17	125	6	17	12	76	177	4,3	50,2	50	37	94	64	3	M6	14	6,5	11	6,8	13	17	6
40	84	38	69	87	110	54	115	16	21	140	7	22	12	81	192	11	58,2	58	37	105	74	3	M6	14	6,5	11	6,8	15	19	6
50	100	46,5	85	104	130	63	137	20	26	149	8	26	15	78,5	205	19,8	70,2	70	37,5	106	89	3	M8	16	9	15	9	22	24	6
63	105	56,5	100	119	145	80	152	20	26	178	8	26	15	111	237	15,3	85,2	85	37	121	89	7	M8	16	9	15	9	22	24	6
80	130	72	130	148	180	100	189	25	34	195	9	32	20	128	280	21	105,4	105	42	128	110	23	M10	20	11	18	11	27	30	6
100	150	89	150	172	200	120	213	25	39	220	9	32	20	128	280	24,5	130,4	130	37	138	115	3	M10	20	11	18	11	27	30	6

PNEUMATIC ACTUATION

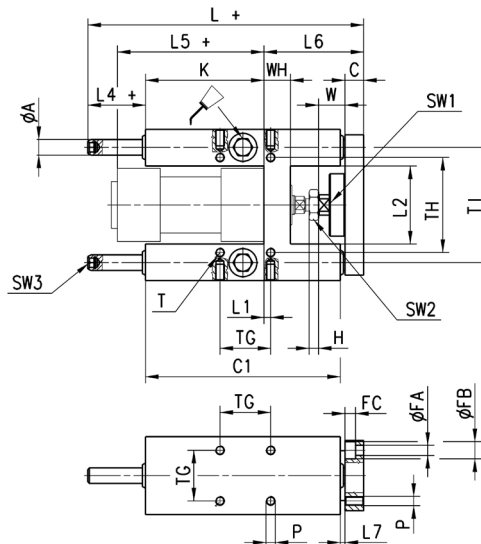
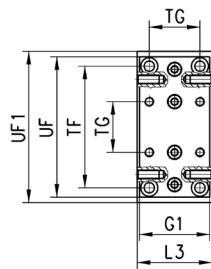
1

Guides Mod. 45NHB for cylinders Series 63



Supplied with:
 4x fixing screws

Suitable for ISO 15552 (previous DIN/ISO 6431) cylinders Series 61, 63, 6E, Ø 32, 40, 50, 63, 80 and 100. To lubricate these guides, use the special lubricator. For applicable loads see graph No 2.



+ = add the stroke

Ø	TF	TG	TH	TI	UF	G1	UF1	øA	WH	C1	H	W	C	K	L	L1	L2	L3	L4	L5	L6	L7	P	T	øFA	øFB	FC	SW1	SW2	SW3
32	78	32,5	61	74	90	45	97	12	17	125	6	17	12	76	177	4,3	50,2	50	37	94	64	3	M6	14	6,5	11	6,8	13	17	6
40	84	38	69	87	110	54	115	16	21	140	7	22	12	81	192	11	58,2	58	37	105	74	3	M6	14	6,5	11	6,8	15	19	6
50	100	46,5	85	104	130	63	137	20	26	149	8	26	15	78,5	237	19,8	70,2	70	69,5	106	89	3	M8	16	9	15	9	22	24	6
63	105	56,5	100	119	145	80	152	20	26	178	8	26	15	111	237	15,3	85,2	85	37	121	89	7	M8	16	9	15	9	22	24	6
80	130	72	130	148	180	100	189	25	34	195	9	32	20	128	280	21	105,4	105	42	128	110	23	M10	20	11	18	11	27	30	6
100	150	89	150	172	200	120	213	25	39	220	9	32	20	128	280	24,5	130,4	130	37	138	115	3	M10	20	11	18	11	27	30	6